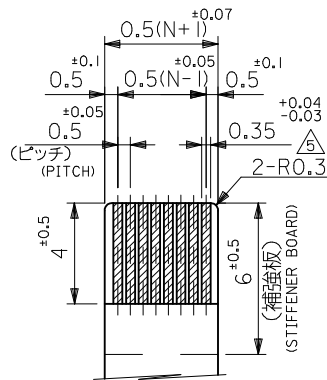


注記 NOTES

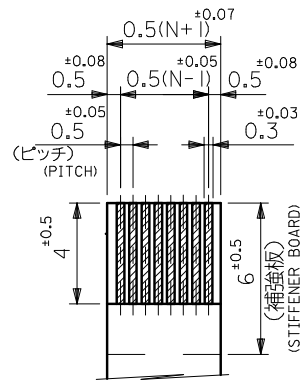
- 使用材料 : MATERIAL
 - ハウジング : ポリアミド(PA)、ナチュラル(白色)、ガラス充填、UL94V-0
HOUSING : POLYAMIDE, NATURAL(WHITE), GLASS FILLED, UL94V-0
 - アクチュエータ : ポリフェニレンサルファイド(PPS)、黒色、ガラス充填、UL94V-0
ACTUATOR : POLYPHENYLENE SULFID, BLACK, GLASS FILLED, UL94V-0
 - ターミナル : リン青銅 (t=0.2)
TERMINAL : PHOSPHOR BRONZE (t=0.2)
 - 金具 : リン青銅 (t=0.2)
FITTING NAIL : PHOSPHOR BRONZE (t=0.2)
- めっき仕様 PLATING
 - ターミナル TERMINAL
 - 錫銀ビスマスめっき(1.0 μm以上)
 - 下地: ニッケルめっき(1.0 μm以上)
 - TIN SILVER BISMUTH PLATING (1.0 MICROMETER MINIMUM)
UNDER PLATE : NICKEL PLATING (1.0 MICROMETER MINIMUM)
 - 金具
 - 錫めっき(1.0 μm以上)
 - 下地: ニッケルめっき(1.0 μm以上)
 - TIN PLATING (1.0 MICROMETER MINIMUM)
UNDER PLATE : NICKEL PLATING (1.0 MICROMETER MINIMUM)
- RO. 3は、FPCの導体部にかからないこと。
RO.3 MUST NOT BE OVERLAPPED TO PATTERN OF FPC.
- エンボスステップ梱包時は、アクチュエータがロックした状態とする。
IN THE PACKAGE, ACTUATOR OF PART NO.52435-***22 SHOULD BE LOCKED.
- 偶数極に適用。
APPLY FOR EVEN CIRCUIT.
- パターンはくり止め用金具。
FITTING NAIL FOR PREVENTION OF PEELING OF P.C.B. PATTERN.
- ソルダーテール半田付け面のズレ量、および金具半田付け面のズレ量は、基準面 H に対し上方向 0.1MAXIMUM、下方向 0.15MAXIMUM とし、相互のばらつきは0.1MAXIMUMとする。
MISALIGNMENT OF SOLDER TAILS AND FITTING NAILS FROM H UPPER DIRECTION : 0.1MAXIMUM, LOWER DIRECTION : 0.15MAXIMUM OFFSET BETWEEN UPPER AND LOWER : 0.1MAXIMUM.
- ELV 及びRoHS適合品
ELV AND RoHS COMPLIANT

CONNECTOR SERIES NO. 52435-***22

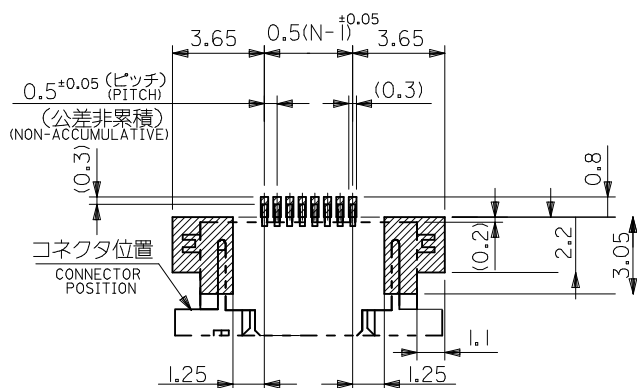
REVISED EC NO: J2014-0096 DRW: AISHI 2013/07/18 CHKD: TAKAHASHI 2013/07/18 APPR: YNOGAWA 2013/08/19	GENERAL TOLERANCES (UNLESS SPECIFIED)		DIMENSION STYLE MM ONLY	SCALE ---	DESIGN UNITS METRIC	THIRD ANGLE PROJECTION
	10 UNDER	±0.2	DRAWN BY NKONDO	DATE 2012/09/10	TITLE 0.5 FPC CONN ZIF R/A HOUSING ASSY (UPPER CONTACT)	
	10 OVER 30 UNDER	±0.25	CHECKED BY KTAKAHASHI	DATE 2012/09/10		
	30 OVER	±0.3	APPROVED BY KMORIKAWA	DATE 2013/03/15		
DESCRIPTION	ANGULAR ±3 °	MATERIAL NO.	SEE CHART	DOCUMENT NO. SD-52435-022	SHEET NO. 1 OF 2	
REV	DRAFT WHERE APPLICABLE MUST REMAIN WITHIN DIMENSIONS		SIZE A3	THIS DRAWING CONTAINS INFORMATION THAT IS PROPRIETARY TO MOLEX INCORPORATED AND SHOULD NOT BE USED WITHOUT WRITTEN PERMISSION		



適合FPC推奨寸法
APPLICABLE FPC
RECOMMENDED DIMENSION.
(仕上がり厚さ: 0.3 ± 0.05)
(THICKNESS: 0.3 ± 0.05)



適合FFC推奨寸法
APPLICABLE FFC
RECOMMENDED DIMENSION.
(仕上がり厚さ: 0.3 ± 0.05)
(THICKNESS: 0.3 ± 0.05)



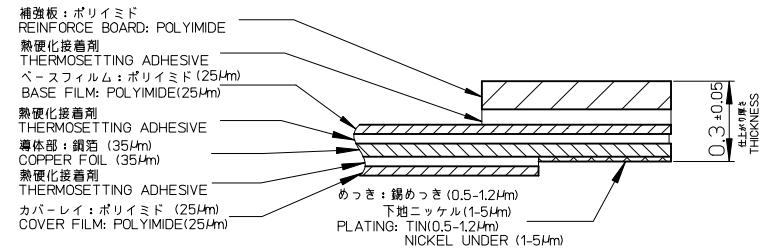
推奨基板レイアウト (マウント面)
RECOMMENDED P.C.BOARD PATTERN DIMENSION (MOUNTING SIDE)
マスク厚 : 100 μm
マスク開口率 : 100%
SCREEN THICKNESS : 100 μm
SCREEN OPEN RATIO : 100%

FPCについて

補強フィルム材質はポリイミドを推奨します。ベースフィルムは25 μmを推奨します。
接着剤は熱硬化接着剤を推奨します。
尚、接着剤の接点部への付着は導通不良の原因になりますので、染み出しが無い様、お願い致します

ABOUT FPC

RECOMMENDED STIFFENER MATERIAL: POLYIMIDE
RECOMMENDED BASE FILM THICKNESS: 25 MICROMETER
RECOMMENDED ADHESIVE: THERMOSETTING ADHESIVE
NOTE: PLEASE PUT APPROPRIATE AMOUNT OF ADHESIVE ON ADHEREND BECAUSE THERE IS A POSSIBILITY THAT THE EXTRA ADHESIVE CAUSES THE DEFECT IN ELECTRICAL CONTINUITY.



FPC構成推奨仕様
STRUCTURE OF FPC

21.6	19.6	15.65	14.5	52435-3033	30
21.1	19.1	15.15	14.0	-2933	29
20.6	18.6	14.65	13.5	-2833	28
20.1	18.1	14.15	13.0	-2733	27
19.6	17.6	13.65	12.5	-2633	26
19.1	17.1	13.15	12.0	-2533	25
18.6	16.6	12.65	11.5	-2433	24
18.1	16.1	12.15	11.0	-2333	23
17.6	15.6	11.65	10.5	-2233	22
17.1	15.1	11.15	10.0	-2133	21
D	C	B	(A)	オーダー番号 ORDER NO.	極致 CXL

FPC/FFCについて

打ち抜き方向は導体側から補強板側を推奨します。
導体部については軟箔銅35 μmまたは50 μmを推奨します。

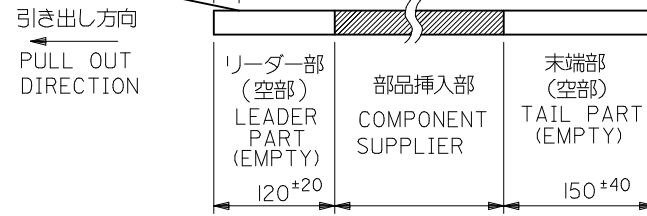
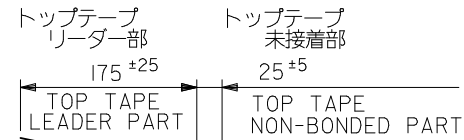
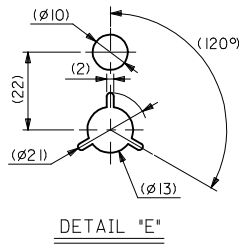
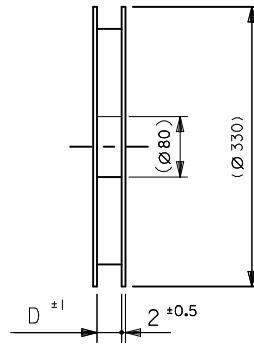
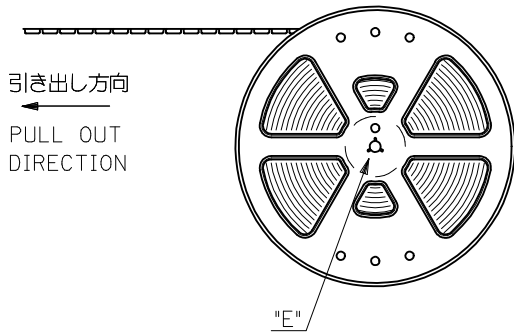
ABOUT FPC/FFC

RECOMMENDED PUNCHING DIRECTION: FROM CONDUCTOR SIDE TO STIFFENER SIDE
RECOMMENDED CONDUCTOR SPEC: SOFT COPPER FOIL
RECOMMENDED CONDUCTOR THICKNESS: 35 MICROMETER OR 50 MICROMETER

SEE SHEET 1 OF 2 EC NO: J2014-0096 DRAWN: AISHI 2013/07/18 CHKD: KAKAHASHI 2013/07/18 APPR: YNOGAWA 2013/08/19	DESCRIPTION	GENERAL TOLERANCES (UNLESS SPECIFIED)		DIMENSION STYLE		SCALE		DESIGN UNITS		THIRD ANGLE PROJECTION
				MM ONLY		---		METRIC		
		10 UNDER ±0.2		DRAWN BY NKONDO		DATE 2012/09/10		TITLE		
		10 OVER 30 UNDER ±0.25		CHECKED BY KTAKAHASHI		DATE 2012/09/10		0.5 FPC CONN ZIF R/A HOUSING ASSY (UPPER CONTACT)		
30 OVER ±0.3		APPROVED BY KMORIKAWA		DATE 2013/03/15		DOCUMENT NO.		SHEET NO.		
ANGULAR ±3 °		DRAFT WHERE APPLICABLE MUST REMAIN WITHIN DIMENSIONS		SEE CHART		SD-52435-022		2 OF 2		
SIZE A3		THIS DRAWING CONTAINS INFORMATION THAT IS PROPRIETARY TO MOLEX INCORPORATED AND SHOULD NOT BE USED WITHOUT WRITTEN PERMISSION								

注記 NOTES

- 製品番号 52435-**22 の梱包状態はアクチュエータがロックした状態とする。
 詳細寸法については図面 RSD-52435- 22 を参照下さい。
 IN THE PACKAGE,ACTUATOR OF PART NO.52435-**22 SHOULD BE LOCKED RE DETAILED DIMENSIONS,SEE RSD-52435- 021
- 梱包数量：1000個/リール
 NUMBER OF CONNECTORS:1000PCS/REEL
- リードテープ長さ LEAD TAPE LENGTH



- トップテープの剥離強度については、IEC60286-3 に準拠
 TOP TAPE PEEL FORCE IS DEFINED BY IEC60286-3.
- 材料 (MATERIAL)
 キャリアテープ (CARRIER TAPE) :ポリプロピレン (POLYPROPYLENE)
 トップテープ (TOPTAPE) : PET, PE, PEF
 リール (REEL) : ポリスチレン (PS) <リサイクル材を含む>
 POLYSTYRENE (PS) <RECYCLE MATERIAL CONTAINED>
- ELV及びRoHS適合品
 ELV AND RoHS COMPLIANT

RELEASED EC NO.: J2013-1014 DRWN: NKONDO 2012/09/10 CHKD: KTAKAHASHI 2012/09/10 APPR: KMORIKAWA 2013/03/15	GENERAL TOLERANCES (UNLESS SPECIFIED)		DIMENSION STYLE MM ONLY		SCALE ---	DESIGN UNITS METRIC	THIRD ANGLE PROJECTION
	10 UNDER	±0.2	DRAWN BY NKONDO	DATE 2012/09/10	TITLE 0.5 FPC CONN ZIF SMT R/A WITH TAPE EMBSTP PKG		
	10 OVER 30 UNDER	±0.25	CHECKED BY KTAKAHASHI	DATE 2012/09/10	molex MATERIAL NO. SEE CHART DOCUMENT NO. SD-52435-023 SHEET NO. 1 OF 3		
	30 OVER	±0.3	APPROVED BY KMORIKAWA	DATE 2013/03/15			
0	ANGULAR ±3 °	DRAFT WHERE APPLICABLE MUST REMAIN WITHIN DIMENSIONS		THIS DRAWING CONTAINS INFORMATION THAT IS PROPRIETARY TO MOLEX INCORPORATED AND SHOULD NOT BE USED WITHOUT WRITTEN PERMISSION			

F

E

D

C

B

A

F

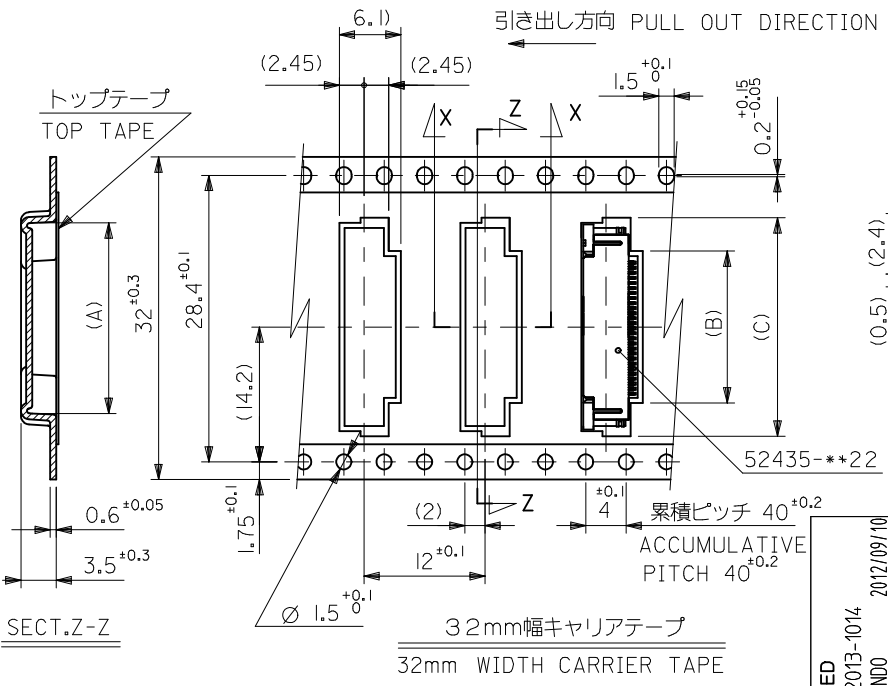
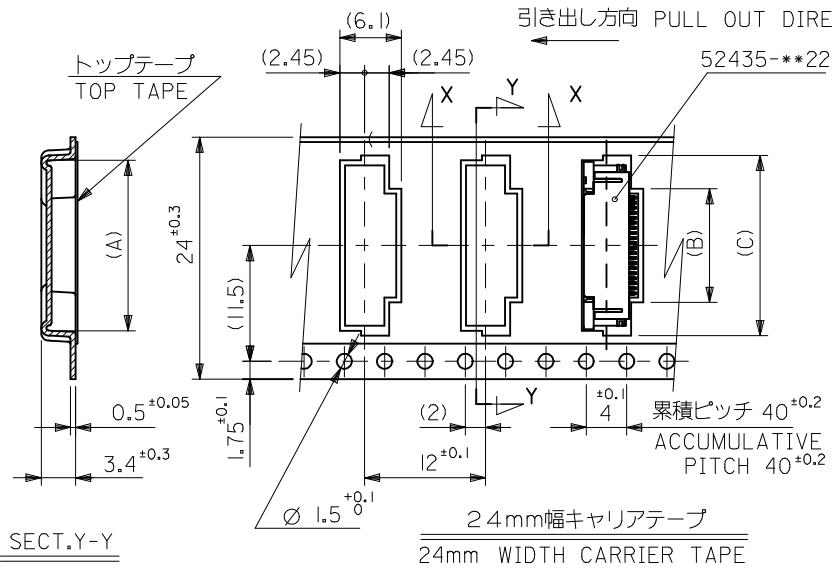
E

D

C

B

A

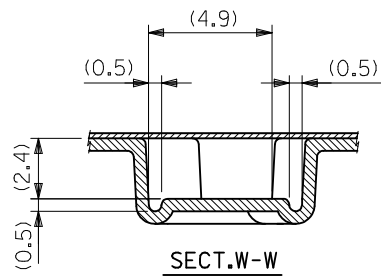
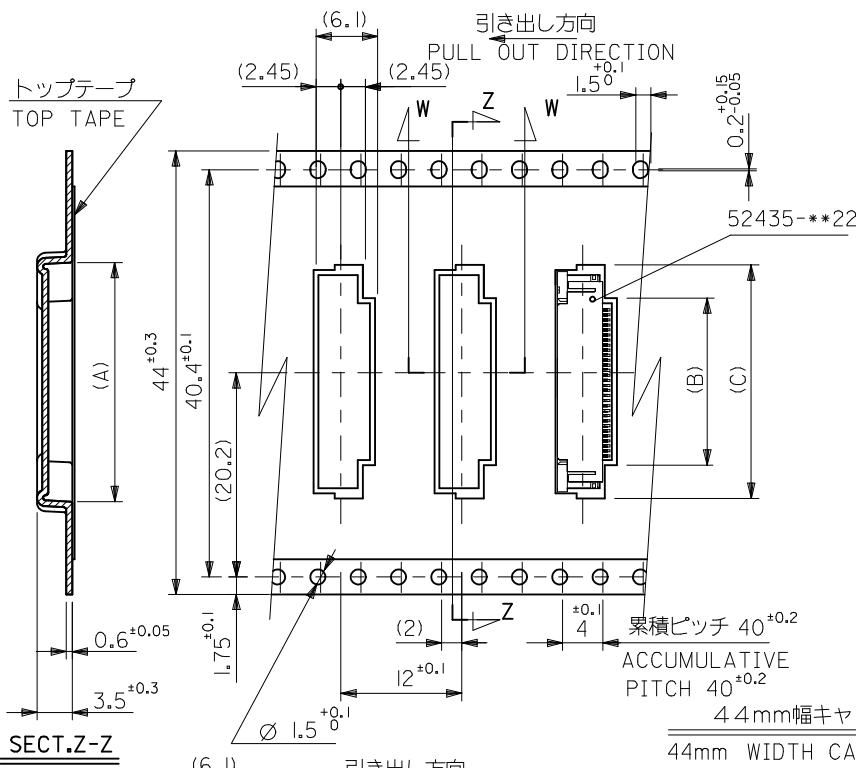


32	33.5	22.4	15.8	21.4	52435-2933	29
		21.9	15.3	20.9	-2833	28
		21.4	14.8	20.4	-2733	27
		20.9	14.3	19.9	-2633	26
		20.4	13.8	19.4	-2533	25
		19.9	13.3	18.9	-2433	24
		19.4	12.8	18.4	-2333	23
		18.9	12.3	17.9	52435-2233	22

キャリアテープ幅 CARRIER TAPE WIDTH	D	(C)	(B)	(A)	オーダー番号 ORDER NO.	極数 CIRCUIT
--------------------------------	---	-----	-----	-----	---------------------	---------------

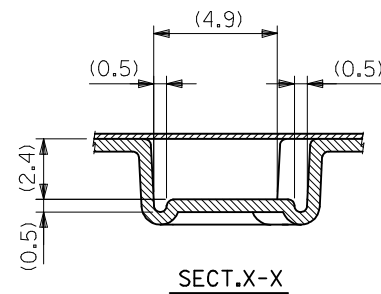
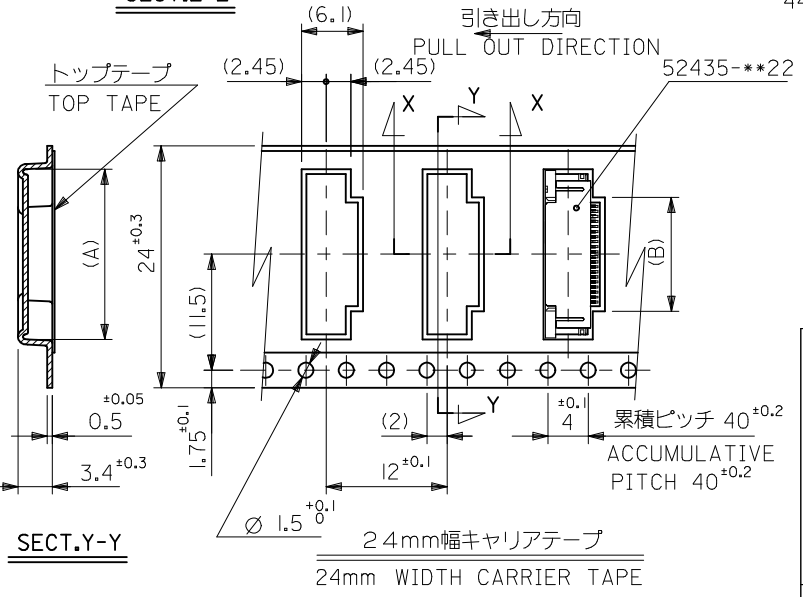
RELEASED	2013-1014	2012/09/10	GENERAL TOLERANCES (UNLESS SPECIFIED)
EC NO. J2013-1014	DRWN: NKONDO	2012/09/10	10 UNDER ±0.2
CHKD: TAKAHASHI	2012/09/10	2012/09/10	10 OVER 30 UNDER ±0.25
APPR: KMORIKAWA	2013/03/15	2013/03/15	30 OVER ±0.3
REV	DESCRIPTION		ANGULAR ±3 °
0			DRAFT WHERE APPLICABLE MUST REMAIN WITHIN DIMENSIONS

DIMENSION STYLE	SCALE	DESIGN UNITS	THIRD ANGLE PROJECTION
MM ONLY	---	METRIC	☉ □
DRAWN BY	DATE	TITLE	
NKONDO	2012/09/10	0.5 FPC CONN ZIF SMT R/A WITH TAPE EMBSTP PKG	
CHECKED BY	DATE	molex	
KTAKAHASHI	2012/09/10		
APPROVED BY	DATE	DOCUMENT NO.	SHEET NO.
KMORIKAWA	2013/03/15	SD-52435-023	2 OF 3
MATERIAL NO.	THIS DRAWING CONTAINS INFORMATION THAT IS PROPRIETARY TO MOLEX INCORPORATED AND SHOULD NOT BE USED WITHOUT WRITTEN PERMISSION		
SIZE	SEE CHART		
A3			



44	45.5	22.9	16.3	21.9	52435-3033	30
キャリアテープ幅 CARRIER TAPE WIDTH	D	(C)	(B)	(A)	オーダー番号 ORDER NO.	極数 CIRCUIT

44mm 幅キャリアテープ
44mm WIDTH CARRIER TAPE



24	25.5	11.8	17.4	52435-2133	21
キャリアテープ幅 CARRIER TAPE WIDTH	D	(B)	(A)	オーダー番号 ORDER NO.	極数 CIRCUIT

24mm 幅キャリアテープ
24mm WIDTH CARRIER TAPE

RELEASED EC NO: J2013-1014 DRWN: NKONDO 2012/09/10 CHKD: TAKAHASHI 2012/09/10 APPR: KMORIKAWA 2013/03/15	DESCRIPTION GENERAL TOLERANCES (UNLESS SPECIFIED) 10 UNDER ±0.2 10 OVER 30 UNDER ±0.25 30 OVER ±0.3 ANGULAR ±3 ° DRAFT WHERE APPLICABLE MUST REMAIN WITHIN DIMENSIONS	DIMENSION STYLE MM ONLY	SCALE ---	DESIGN UNITS METRIC	THIRD ANGLE PROJECTION		
		DRAWN BY NKONDO	DATE 2012/09/10	TITLE 0.5 FPC CONN ZIF SMT R/A WITH TAPE EMBSTP PKG			
		CHECKED BY KTAKAHASHI	DATE 2012/09/10	MATERIAL NO. SEE CHART			
		APPROVED BY KMORIKAWA	DATE 2013/03/15				
		DOCUMENT NO. SD-52435-023	SHEET NO. 3 OF 3				
THIS DRAWING CONTAINS INFORMATION THAT IS PROPRIETARY TO MOLEX INCORPORATED AND SHOULD NOT BE USED WITHOUT WRITTEN PERMISSION							