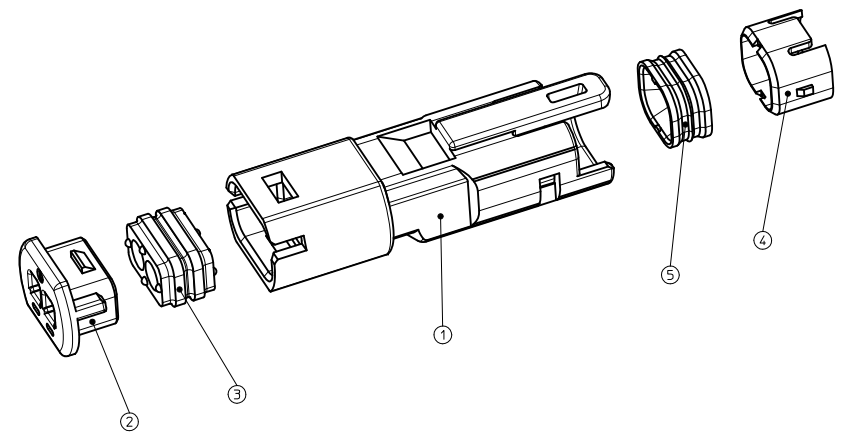


SECTION A-A
(TERMINAL ASSEMBLY DRAWING)



- NOTES:
1. MATERIAL SEE CHART
 2. GENERAL TOLERANCE PER AS BELOW:
 UNDER 10: +0.2
 OVER 10, UNDER 30: +0.25
 OVER 30: +0.3
 ANGLE: +3°
 3. PRODUCT SPECIFICATION: PS-52213-003
 4. PACKAGING SPECIFICATION: RPK-52266-001
 5. MATES WITH: 52213-021*
 6. APPLICABLE CRIMP PIN: 50147-8*00
 7. APPLICATION SPECIFICATION: AS-52266-001

⑤	SEAL	SILICON	1
④	SEAL STOPPER	PBT GF15%, BLACK	1
③	MATTE SEAL	SILICON	1
②	SEAL COVER	PBT GF15%, BLACK	1
①	PLUG HOUSING	PBT GF15%, BLACK	1
ITEM NO	TITLE	MATERIAL	QTY

REVISED & RELEASED EC NO: JTR2012-0069 DRWN: YM001 CHKD: TAITO APPR: MAYAMAMOTO 2012/01/18 2012/02/01 2012/02/13	DESCRIPTION REV	QUALITY SYMBOLS $\nabla=0$ $\nabla=0$ $\nabla=0$		GENERAL TOLERANCES (UNLESS SPECIFIED) <table border="1"> <tr> <td></td> <td>mm</td> <td>INCH</td> </tr> <tr> <td>4 PLACES</td> <td>±---</td> <td>±---</td> </tr> <tr> <td>3 PLACES</td> <td>±---</td> <td>±---</td> </tr> <tr> <td>2 PLACES</td> <td>±---</td> <td>±---</td> </tr> <tr> <td>1 PLACE</td> <td>±---</td> <td>±---</td> </tr> <tr> <td colspan="3">ANGULAR ±---°</td> </tr> </table>			mm	INCH	4 PLACES	±---	±---	3 PLACES	±---	±---	2 PLACES	±---	±---	1 PLACE	±---	±---	ANGULAR ±---°			DIMENSION STYLE MM ONLY		SCALE 5:1	DESIGN UNITS METRIC	THIRD ANGLE PROJECTION
			mm	INCH																								
		4 PLACES	±---	±---																								
		3 PLACES	±---	±---																								
2 PLACES	±---	±---																										
1 PLACE	±---	±---																										
ANGULAR ±---°																												
DRAWN BY: YM001 DATE: 2011/10/18 CHECKED BY: TAITO DATE: 2012/02/01 APPROVED BY: MAYAMAMOTO DATE: 2012/02/13		TITLE 2.5 MINI WATERPROOF CONN. ASS'Y		MATERIAL NO. 52266-0213		DOCUMENT NO. SD-52266-001		SHEET NO. 1 OF 1																				
DRAFT WHERE APPLICABLE MUST REMAIN WITHIN DIMENSIONS		SIZE A2		THIS DRAWING CONTAINS INFORMATION THAT IS PROPRIETARY TO MOLEX INCORPORATED AND SHOULD NOT BE USED WITHOUT WRITTEN PERMISSION																								