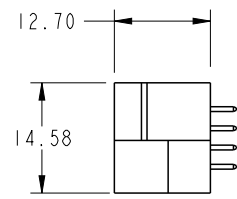
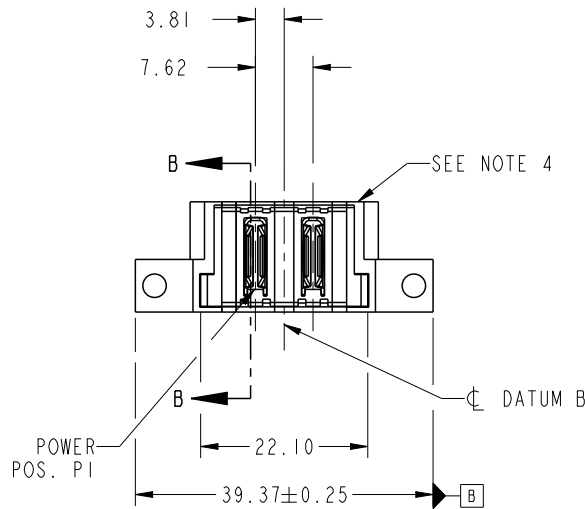
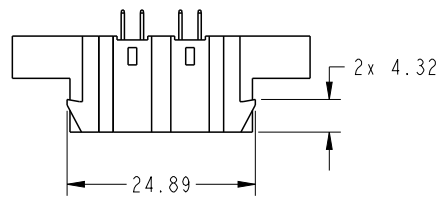


PRODUCT NO.	POWER			
	E1	P1	P2	E2
51963-082-- NOTE ③				



Copyright FCI.

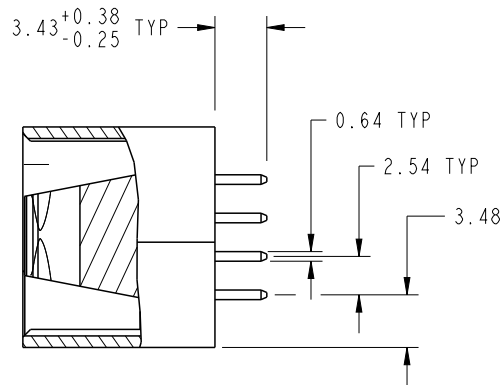
CODE	DIM "M" MATING LENGTH	CONTACT TYPE
PA	[N/A]	POWER

spec ref	-	dr	Luo Weller	2013/12/22	projection 	MM ←→	size	A4	scale	1:1										
tolerance std	TOLERANCES UNLESS OTHERWISE SPECIFIED	eng	Luo Weller	2013/12/26			ecn no	-												
SEE NOTE		chr	-	-			rel level	Released												
surface	<table border="1"> <tr> <td>linear</td> <td>0.X</td> <td>±0.5</td> </tr> <tr> <td></td> <td>0.XX</td> <td>±0.25</td> </tr> <tr> <td></td> <td>0.XXX</td> <td>±0.1</td> </tr> <tr> <td>angular</td> <td>0°</td> <td>±2°</td> </tr> </table>	linear	0.X	±0.5		0.XX	±0.25		0.XXX	±0.1	angular	0°	±2°	appr	Pei-Ming Zheng	2013/12/26	product family	PwrBlade	rev	A
linear	0.X	±0.5																		
	0.XX	±0.25																		
	0.XXX	±0.1																		
angular	0°	±2°																		
				title	2ACP VERTICAL SOLDER HEADER		dwg no	51963-082												
		www.fci.com	cat. no.	&model_name	Product - Customer Drw		sheet 1 of 4													

PrdE File - REV C - 2009-06-09

PRODUCT NUMBER

51963-082--
NOTE 3



SECTION B-B
SCALE 2:1

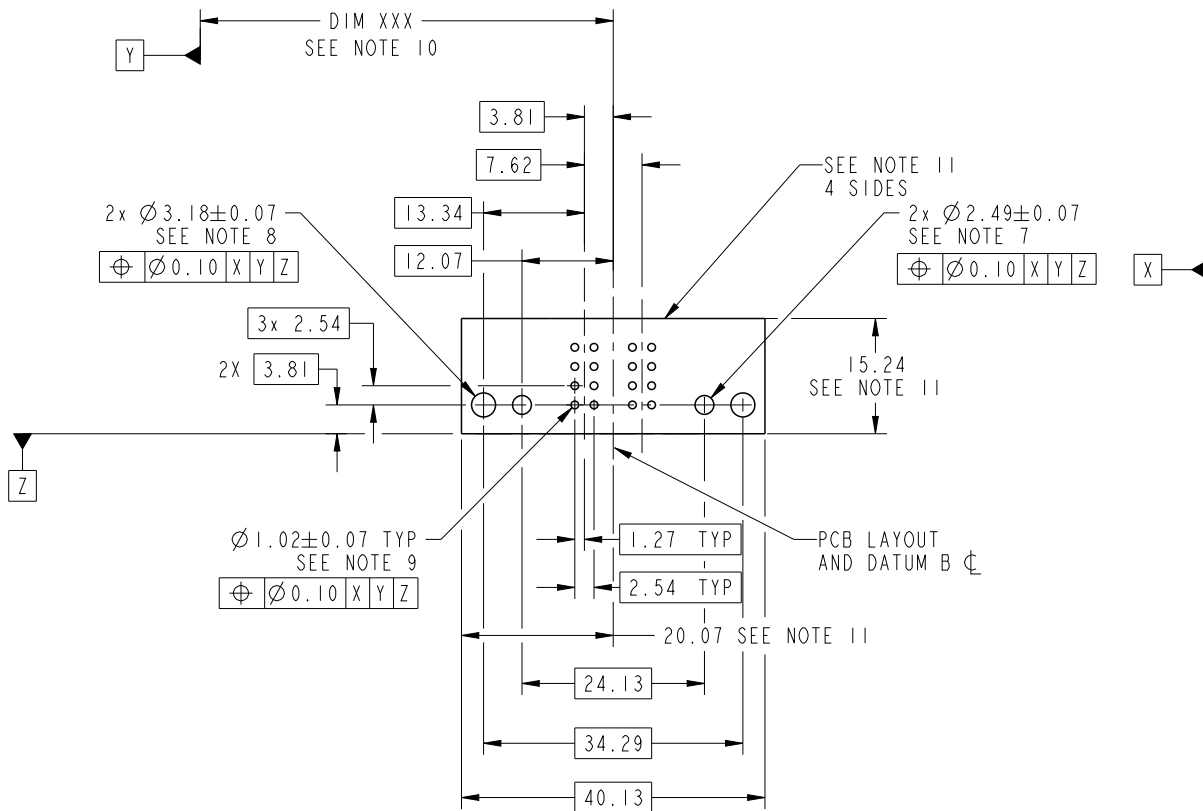


Copyright FCI.

dr	Luo Weller	2013/12/22	projection 	MM 	size	A4	scale	1:1			
eng	Luo Weller	2013/12/26			ecn no	-					
chr	-	-			product family	PwrBlade	rel level	Released			
appr	Pei-Ming Zheng	2013/12/26			title	2ACP		dwg no	51963-082	rev	A
www.fci.com		cat. no.	&model_name	Product - Customer Drw	sheet 2 of 4						

PRODUCT NUMBER

51963-082__
NOTE 3



Copyright FCI.

dr	Luo Weller	2013/12/22	projection 	MM 	size	A4	scale	1:1
eng	Luo Weller	2013/12/26			ecn no	-		
chr	-	-			rel level	Released		
appr	Pei-Ming Zheng	2013/12/26	product family	PwrBlade	rev	A		
	title	2ACP VERTICAL SOLDER HEADER		dwg no	51963-082			
www.fci.com	cat. no.	&model_name	Product - Customer Drw		sheet 3 of 4			

PRODUCT NUMBER

51963-082__
NOTE 3

NOTES:

1. DIMENSIONS AND TOLERANCES ARE IN ACCORDANCE WITH ASME Y14.5M, 1994 UNLESS OTHERWISE SPECIFIED.

CONNECTOR NOTES:

- ② HOUSING MATERIAL: UL 94 V-0 GLASS FILLED
HIGH-TEMP THERMOPLASTIC
POWER CONTACT MATERIAL: COPPER ALLOY
SIGNAL PIN MATERIAL: COPPER ALLOY
 - 3. PLATING:
SEE ITEM 1 & 2 IN PRINT 10064183 FOR PLATING SPEC OF 51963-082; 51963-082LF PRESPECTIVELY
 - ④ MANUFACTURER'S NAME, DATE CODE AND OPTIONAL P/N TO APPEAR ON THIS SURFACE.
THE P/N CAN BE OMITTED IF THERE IS NOT ENOUGH SPACE ON THIS SURFACE
 - 5. PRODUCT SPECIFICATION GS-12-149.
APPLICATION SPECIFICATION BUS-20-067.
 - 6. PACKAGED IN TRAYS.
- PCB NOTES:
- 7. ALL HOLE DIAMETERS ARE FINISHED HOLE SIZE.
 - 8. MOUNTING HOLES, WHERE APPLICABLE, ARE UNPLATED.
- ⑨ $\varnothing 1.151 \pm 0.025$ DRILLED HOLES PLATED WITH
0.008 MIN SnPb OR Sn OVER .001 [0.03]
TO 0.08 Cu PLATING TO ACHIEVE
 $\varnothing 1.02 \pm .07$ HOLE.
 - ⑩ "DIM XXX" TO BE DETERMINED BY THE CUSTOMER.
 - ⑪ CONNECTOR KEEP-OUT ZONE.

dr	Luo Weller	2013/12/22	projection 	MM 	size	A4	scale	1:1	
eng	Luo Weller	2013/12/26			ecn no	-			
chr	-	-							
appr	Pei-Ming Zheng	2013/12/26	product family	PwrBlade	rel level	Released			
		title	2ACP VERTICAL SOLDER HEADER		dwg no	51963-082		rev	A
www.fci.com		cat. no.	&model_name	Product - Customer Drw		sheet 4 of 4			



Copyright FCI.