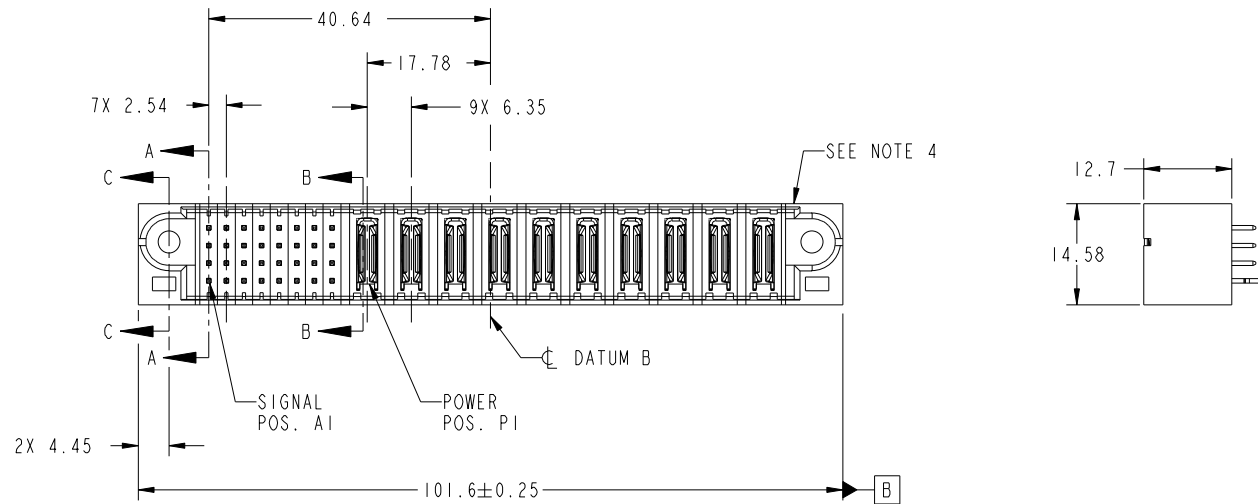


Tous droits strictement reserves. Reproduction ou communication a des tiers interdite sous quelque forme que ce soit sans autorisation écrite du propriétaire. Propriete de c FCI. Droits de reproduction FCI.



All rights strictly reserved. Reproduction or issue to third parties in any form whatever is not permitted without written authority from the proprietor. Property of FCI. Copyright FCI.

PRODUCT NO.	ROWS	SIGNAL								POWER											
		E1	1	2	3	4	5	6	7	8	P1	P2	P3	P4	P5	P6	P7	P8	P9	P10	E2
51952-163-- NOTE ③	D C B A																				



CODE	DIM "M" MATING LENGTH	CONTACT TYPE
PA	[N/A]	POWER
E	[6.86]	SIGNAL
HA	[N/A]	HOLD-DOWN
H	[5.59]	SIGNAL

mat'l code				tolerances unless otherwise specified				CUSTOMER			
ltr	ecn no.	dr	date	linear	0.X ±0.5			COPY		www.fciconnect.com	
A	DG10-0006	WD	01/08/10		0.XX ±0.25			projection		title	
					0.XXX ±0.1					32S + 10P VERTICAL SOLDER HEADER	
					angles	0° ±2°			MIM		product family PwrBlade code
				dr	Warren Du	01/04/10	scale		size		213
				enr	Warren Du	01/04/10	1:1		dwg no		sheet
				chr	PM ZHENG	01/04/10			51952-163		1 of 4
				appd	JOSEPH HSIA	01/04/10					
sheet index	revision sheet	A	A	A	A				cage code		
		1	2	3	4				22526		4

Pro/E

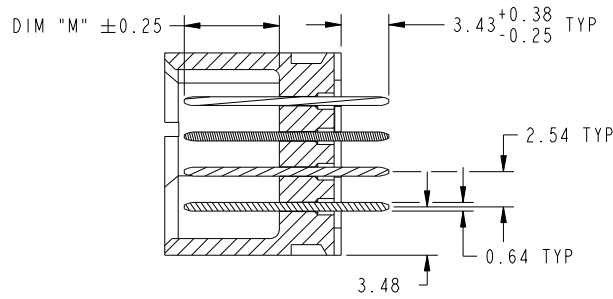
cage code 22526

Tous droits strictement reserves. Reproduction ou communication a des tiers interdite sous quelque forme que ce soit sans autorisation ecrite du proprietaire. Propriete de c FCI. Droits de reproduction FCI.

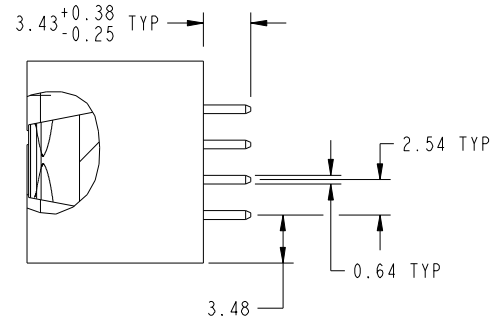
All rights strictly reserved. Reproduction or issue to third parties in any form whatever is not permitted without written authority from the proprietor. Property of FCI. Copyright FCI.



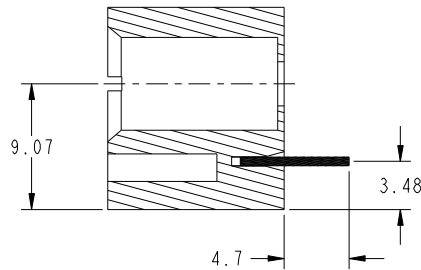
PRODUCT NUMBER
51952-163--
NOTE 3



SECTION A-A
SCALE 2:1



SECTION B-B
SCALE 2:1



SECTION C-C
SCALE 2:1

mat'l code				tolerances unless otherwise specified			CUSTOMER		FCI		www.fciconnect.com	
ltr	ecn no.	dr	date	linear	0.X ±0.5		COPY		projection	title		
A					0.XX ±0.25		MIM			32S + 10P VERTICAL SOLDER HEADER		
					0.XXX ±0.1		MIM			product family PwrBlade code		
				angles	0° ±2°		scale		size			
				dr	Warren Du	01/04/10	1:1		dwg no		213	
				enrg	Warren Du	01/04/10			51952-163		sheet	
				chr	PM ZHENG	01/04/10					2 of 4	
				appd	JOSEPH HSIA	01/04/10						
sheet index		revision sheet										

cage code 22526

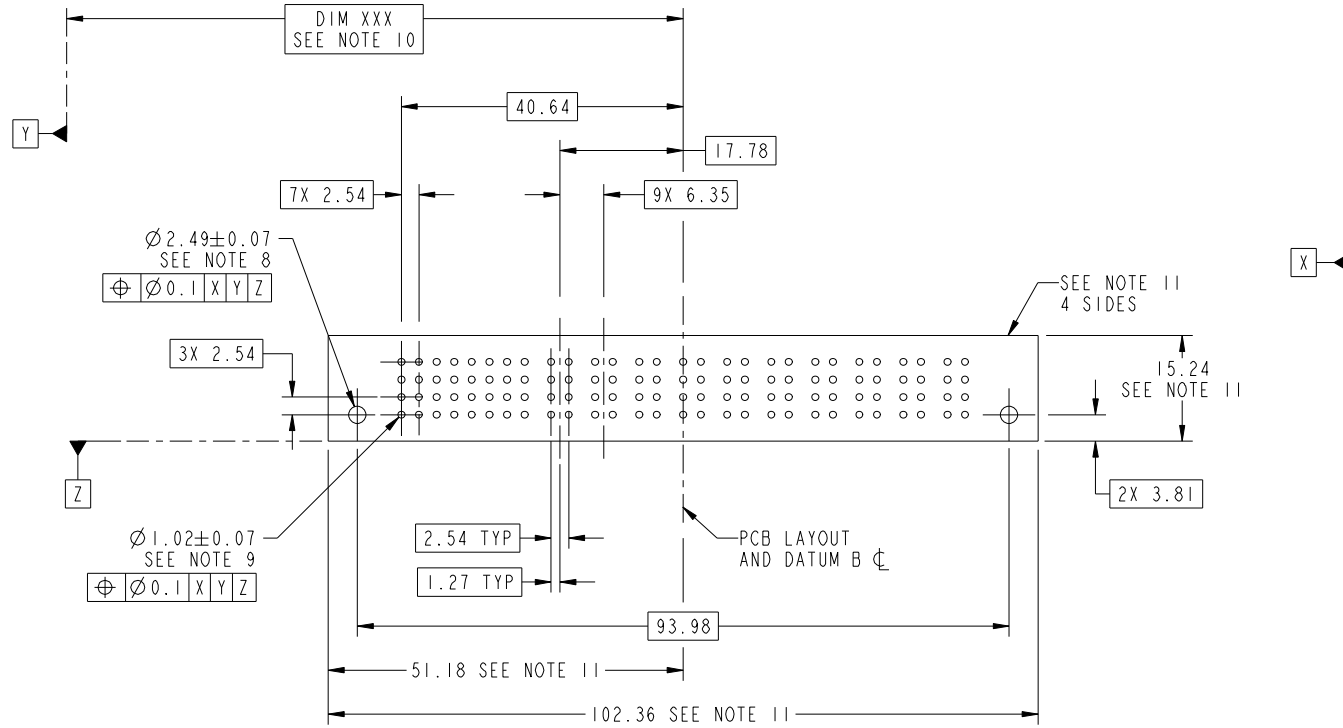
Pro/E

Tous droits strictement réservés. Reproduction ou communication à des tiers interdite sous quelque forme que ce soit sans autorisation écrite du propriétaire. Propriété de c FCI. Droits de reproduction FCI.

All rights strictly reserved. Reproduction or issue to third parties in any form whatever is not permitted without written authority from the proprietor. Property of FCI. Copyright FCI.



PRODUCT NUMBER
51952-163__
NOTE 3



RECOMMENDED PCB LAYOUT

mat'l code				tolerances unless otherwise specified		CUSTOMER		FCI www.fciconnect.com	
ltr	ecn no.	dr	date	linear	$0.X \pm 0.5$	COPY		title	
A					$0.XX \pm 0.25$	projection		32S + 10P VERTICAL SOLDER HEADER	
				angles	$0.XXX \pm 0.1$			product family PwrBlade code	
		dr	Warren Du	0°	$\pm 2^\circ$	MIM		213	
		enr	Warren Du			scale		size	
		chr	PM ZHENG			1:1		dwg no	
		appd	JOSEPH HSIA					51952-163	
sheet index		revision sheet						sheet	
								3 of 4	

cage code 22526

Pro/E

Tous droits strictement reserves. Reproduction ou communication a des tiers interdite sous quelque forme que ce soit sans autorisation écrite du propriétaire. Propriete de c FCI. Droits de reproduction FCI.

All rights strictly reserved. Reproduction or issue to third parties in any form whatever is not permitted without written authority from the proprietor. Property of FCI. Copyright FCI.



PRODUCT NUMBER
51952-163--
NOTE 3

NOTES:

1. DIMENSIONS AND TOLERANCES ARE IN ACCORDANCE WITH ASME Y14.5M, 1994 UNLESS OTHERWISE SPECIFIED.

CONNECTOR NOTES:

- 2 HOUSING MATERIAL: UL 94 V-0 GLASS FILLED HIGH-TEMP THERMOPLASTIC
POWER CONTACT MATERIAL: COPPER ALLOY
SIGNAL PIN MATERIAL: COPPER ALLOY
- 3. SEE ITEM 1 & 2 IN PRINT 10064183 FOR PLATING SPEC OF 51952-163 AND 51952-163LF RESPECTIVELY.
- 4 MANUFACTURER'S NAME, DATE CODE AND OPTIONAL P/N TO APPEAR ON THIS SURFACE. THE P/N CAN BE OMITTED IF THERE IS NOT ENOUGH SPACE ON THIS SURFACE.
- 5. PRODUCT SPECIFICATION GS-12-149.
APPLICATION SPECIFICATION BUS-20-067.
- 6. PACKAGED IN TRAYS.

PCB NOTES:

- 7. ALL HOLE DIAMETERS ARE FINISHED HOLE SIZE.
- 8. MOUNTING HOLES, WHERE APPLICABLE, ARE UNPLATED.

9 $\varnothing 1.151 \pm 0.025$ DRILLED HOLES PLATED WITH 0.008 MIN SnPb OR Sn OVER .001 [0.03] TO 0.08 Cu PLATING TO ACHIEVE $\varnothing 1.02 \pm .07$ HOLE.

10 "DIM XXX" TO BE DETERMINED BY THE CUSTOMER.

11 CONNECTOR KEEP-OUT ZONE.

mat'l code				tolerances unless otherwise specified		CUSTOMER		FCI	
ltr	ecn no.	dr	date	linear	0.X ± 0.5	COPY		www.fciconnect.com	
A				linear	0.XX ± 0.25	projection		title	
				angles	0.XXX ± 0.1			32S + 10P VERTICAL SOLDER HEADER	
				dr	0° ± 2°	MIM		product family PwrBlade code	
				enr	Warren Du 01/04/10			size 213	
				chr	Warren Du 01/04/10	scale		dwg no 51952-163 sheet	
				appd	PM ZHENG 01/04/10	1:1		4 of 4	
					JOSEPH HSIA 01/04/10	A			
sheet index	revision sheet								

cage code 22526

Pro/E