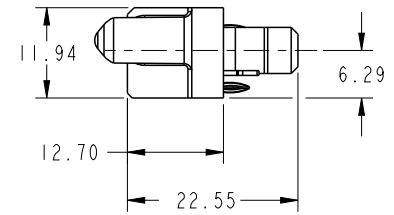
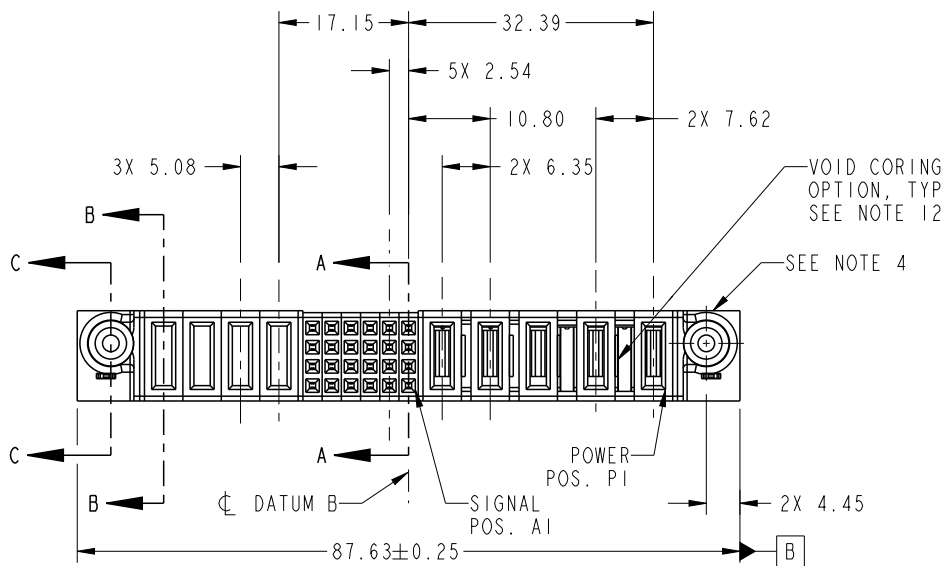


PRODUCT NO.	ROWS	POWER				SIGNAL					POWER							
		E2	P9	P8	P7	P6	6	5	4	3	2	1	P5	P4	P3	P2	P1	E1
51940-350-- NOTE: 3	D C B A		PC	PC	PC	PC	F	F	F	F	F	F	F	F	F	F	F	



CODE	DIM "M" MATING LENGTH	CONTACT TYPE
PC	[1.07]	POWER
F	[N/A]	SIGNAL
HA	[N/A]	HOLD-DOWN
PG	[1.07]	POWER

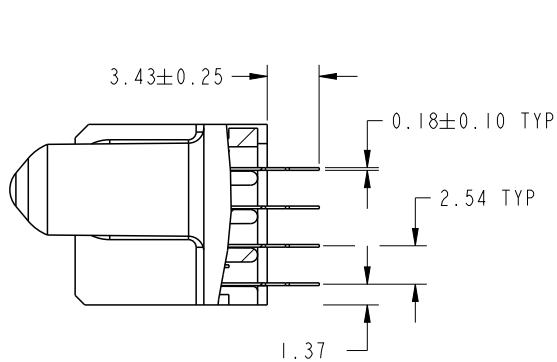
spec ref	*	dr	Anson Liu	2010/04/23	projection	MM	size	A4	scale	1:1
tolerance std	TOLERANCES UNLESS OTHERWISE SPECIFIED	eng	Luo Weller	2012/09/19			ecn no	-	rel level	Released
SEE NOTE		chr	-	-						
surface	✓	appr	Pei-Ming Zheng	2012/09/19	product family	PwrBlade		rev	A	
linear		0.X	±0.5		title	3AC CABLE P + 2DC CABLE P + 24S + 4P		dwg no	51940-350	
angular	0°	±2°	cat. no.			Product - Customer Drw				sheet 1 of 4



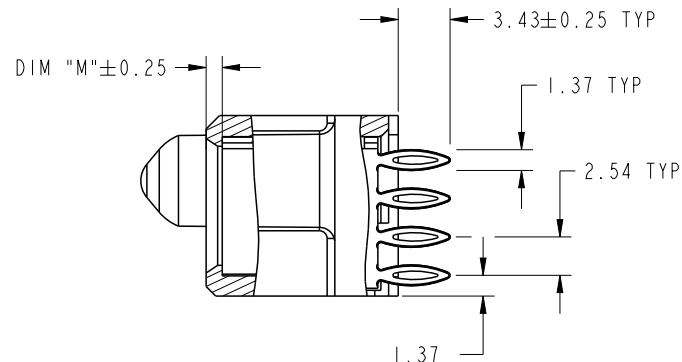
Copyright FCI.

PRODUCT NUMBER

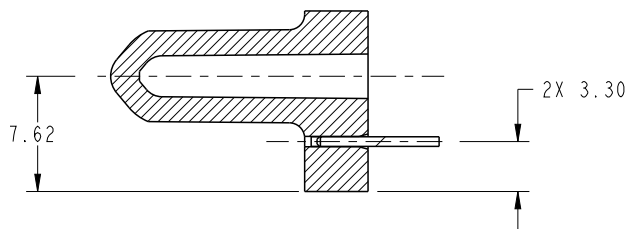
51940-350\_\_  
NOTE: 3



SECTION A-A  
SCALE 2:1



SECTION B-B  
SCALE 2:1

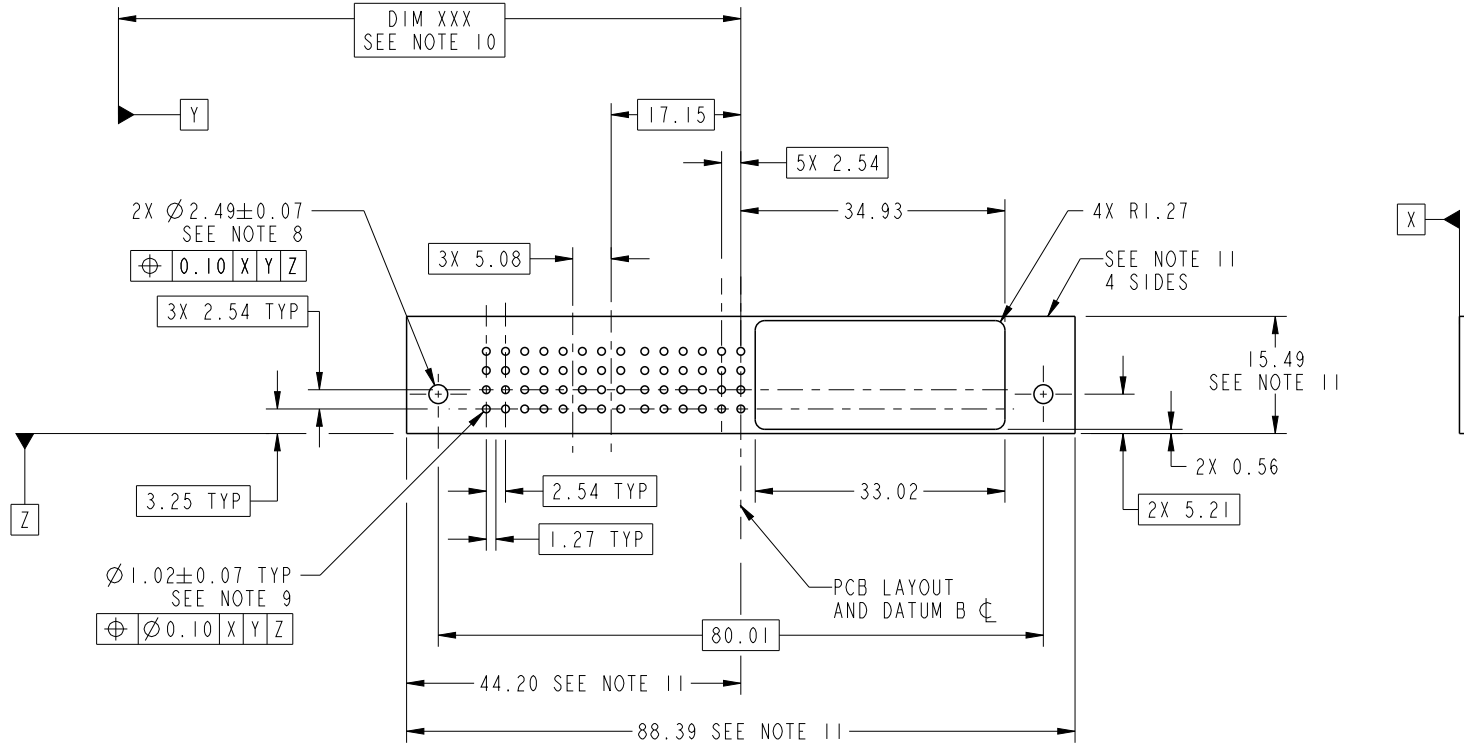


SECTION C-C  
SCALE 2:1

dr	Anson Liu	2010/04/23	projection 	MM 	size	A4	scale	1:1
eng	Luo Weller	2012/09/19			ecn no	-		
chr	-	-			rel level	Released		
appr	Pei-Ming Zheng	2012/09/19	product family	PwrBlade	rev	A		
	title	3AC CABLE P + 2DC CABLE P + 24S + 4P		dwg no	51940-350			
www.fci.com	cat. no.	*	Product - Customer Drw		sheet 2 of 4			

PRODUCT NUMBER

51940-350--  
NOTE: 3



RECOMMENDED PCB LAYOUT

dr	Anson Liu	2010/04/23	projection 	MM 	size	A4	scale	1:1	
eng	Luo Weller	2012/09/19			ecn no	-			
chr	-	-			rel level	Released			
appr	Pei-Ming Zheng	2012/09/19	product family	PwrBlade					
		title	3AC CABLE P + 2DC CABLE P + 24S + 4P		dwg no	51940-350		rev	A
www.fci.com		cat. no.	*	Product - Customer Drw	sheet 3 of 4				

PRODUCT NUMBER

51940-350\_\_  
NOTE: 3

NOTES:

1. DIMENSIONS AND TOLERANCES ARE IN ACCORDANCE WITH ASME Y14.5M, 1994 UNLESS OTHERWISE SPECIFIED.

CONNECTOR NOTES:

- ② HOUSING MATERIAL: UL 94 V-0 GLASS FILLED HIGH-TEMP THERMOPLASTIC  
POWER CONTACT MATERIAL: COPPER ALLOY  
SIGNAL PIN MATERIAL: COPPER ALLOY
  - 3. PLATING SPEC  
SEE ITEM 7 & 8 IN PRINT 10064183 FOR PLATING SPEC OF 51940-350 AND 51940-350LF RESPECTIVELY.
  - ④ MANUFACTURER'S NAME, DATE CODE AND OPTIONAL P/N TO APPEAR ON THIS SURFACE. THE P/N CAN BE OMITTED IF THERE IS NOT ENOUGH SPACE ON THIS SURFACE.
  - 5. PRODUCT SPECIFICATION GS-12-149.  
APPLICATION SPECIFICATION BUS-20-067.
  - 6. PACKAGED IN TRAYS.
- PCB NOTES:
- 7. ALL HOLE DIAMETERS ARE FINISHED HOLE SIZE.
  - ⑧ MOUNTING HOLES, WHERE APPLICABLE, ARE UNPLATED.
  - ⑨  $\varnothing 1.151 \pm 0.025$  DRILLED HOLES PLATED WITH  
0.008 MIN SnPb OR Sn OVER 0.03  
TO 0.08 Cu PLATING TO ACHIEVE  
 $\varnothing 1.02 \pm 0.07$  HOLE.
  - ⑩ "DIM XXX" TO BE DETERMINED BY THE CUSTOMER.
  - ⑪ CONNECTOR KEEP-OUT ZONE.
12. THE VOID CORING IN BETWEEN POWER MODULES, SIGNAL MODULES AND END MODULES ARE OPTIONAL AND THE SHAPE MAY BE DIFFERENT FOR OPTIMIZE THE MOLDING PROCESS. THE VOID CORING WILL NOT EFFECT TO PRODUCT FUNCTION.

dr	Anson Liu	2010/04/23	projection 	MM 	size	A4	scale	1:1	
eng	Luo Weller	2012/09/19			ecn no	-			
chr	-	-							
appr	Pei-Ming Zheng	2012/09/19	product family	PwrBlade	rel level	Released			
	title	3AC CABLE P + 2DC CABLE P + 24S + 4P VERTICAL PF RECEPT			dwg no	51940-350		rev	A
www.fci.com	cat. no.	*	Product - Customer Drw			sheet 4 of 4			