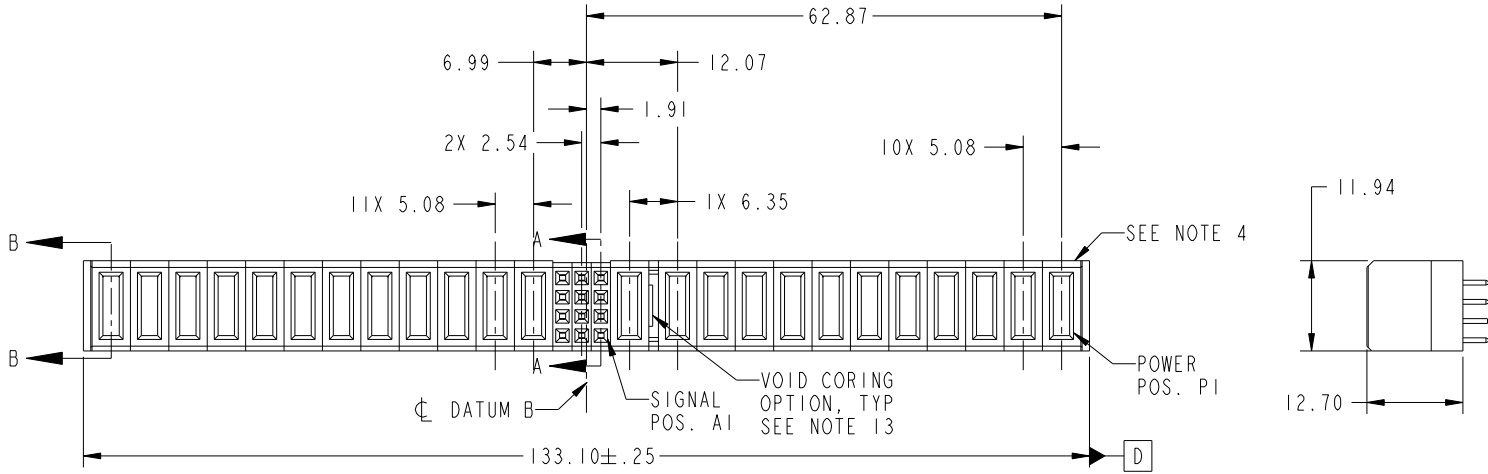


Tous droits strictement reserves. Reproduction ou communication a des tiers interdite sous quelque forme que ce soit sans autorisation ecrite du proprietaire. Propriete de c.FCI. Droits de reproduction FCI.

All rights strictly reserved. Reproduction or issue to third parties in any form whatever is not permitted without written authority from the proprietor. Property of FCI. Copyright FCI.



PRODUCT NO. 51940-179 -- NOTE: 3	ROWS DCBA	POWER												SNL			POWER											
		P24	P23	P22	P21	P20	P19	P18	P17	P16	P15	P14	P13	3	2	1	P12	P11	P10	P9	P8	P7	P6	P5	P4	P3	P2	P1
		PA	PA	PA	PA	PA	PA	PA	PA	PA	PA	PA	PA	EEE	EEE	EEE	PA	PA	PA	PA	PA	PA	PA	PA	PA	PA	PA	PA



CODE	DIM "M" MATING LENGTH	CONTACT TYPE
E	[N/A]	SIGNAL
PA	[1.07]	POWER

mat'l code				SEE NOTE		tolerances unless otherwise specified		CUSTOMER		FCI www.fciconnect.com		
lir	ecn no.	dr	date	linear	0.X ± 0.5	COPY		projection		title		
A	DG05-0512	GuoJM	11/30/05	0.XX ± 0.25	0.XX ± 0.25		⊕		12P + 12S + 12P VERTICAL SOLDER RECEPT			
B	DG07-0498	JW	09/15/08	angles	0.XXX ± 0.10	0° ± 2°		MM		product family PwrBlade code 213		
				dr	JM GUO	11/30/05	scale		A		size dwg no 51940-179 sheet 1 of 4	
				enrg	SLUO	11/30/05	1:1					
				chr	VICTOR LIN	11/30/05						
				appd	JOSEPH HSIA	11/30/05						
sheet index	revision sheet	B 1	B 2	B 3	B 4							

A

A

B

B

1 | 2

Pro/E

PDM: Rev: B

STATUS: Released

Printed: Dec 20, 2010

cage code 2856

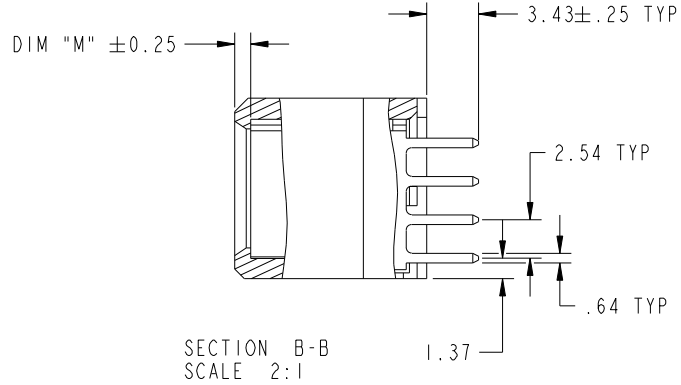
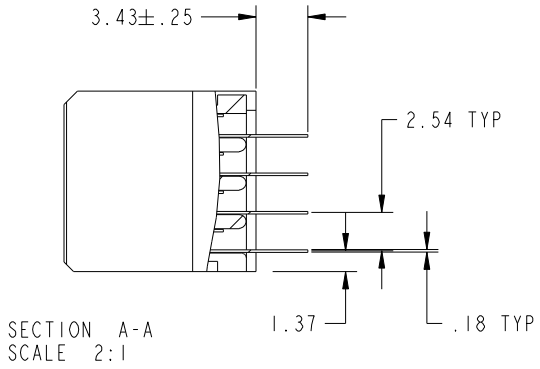
4

Tous droits strictement reserves. Reproduction ou communication a des tiers interdite sous quelque forme que ce soit sans autorisation ecrite du proprietaire. Propriete de c FCI. Droits de reproduction FCI.

All rights strictly reserved. Reproduction or issue to third parties in any form whatever is not permitted without written authority from the proprietor. Property of FCI. Copyright FCI.



PRODUCT NUMBER
51940-179--
NOTE: 3



mat'l code		SEE NOTE		tolerances unless otherwise specified		CUSTOMER		 www.fciconnect.com	
lir	ecn no.	dr	date	linear	0.X ± 0.5	COPY		title	
B					0.XX ± 0.25	projection		12P + 12S + 12P	
				angles	0.XXX ± 0.10			VERTICAL SOLDER RECEPT	
				dr	0° ± 2°			product family	
				enrg	JM GUO 11/30/05	scale		PwrBlade	
				chr	SLUO 11/30/05	1:1		code	
				appd	VICTOR LIN 11/30/05			213	
					JOSEPH HSIA 11/30/05			sheet	
sheet index	revision sheet							A 51940-179	
								2	

cage code 2856

Pro/E

PDM: Rev: B

STATUS: Released

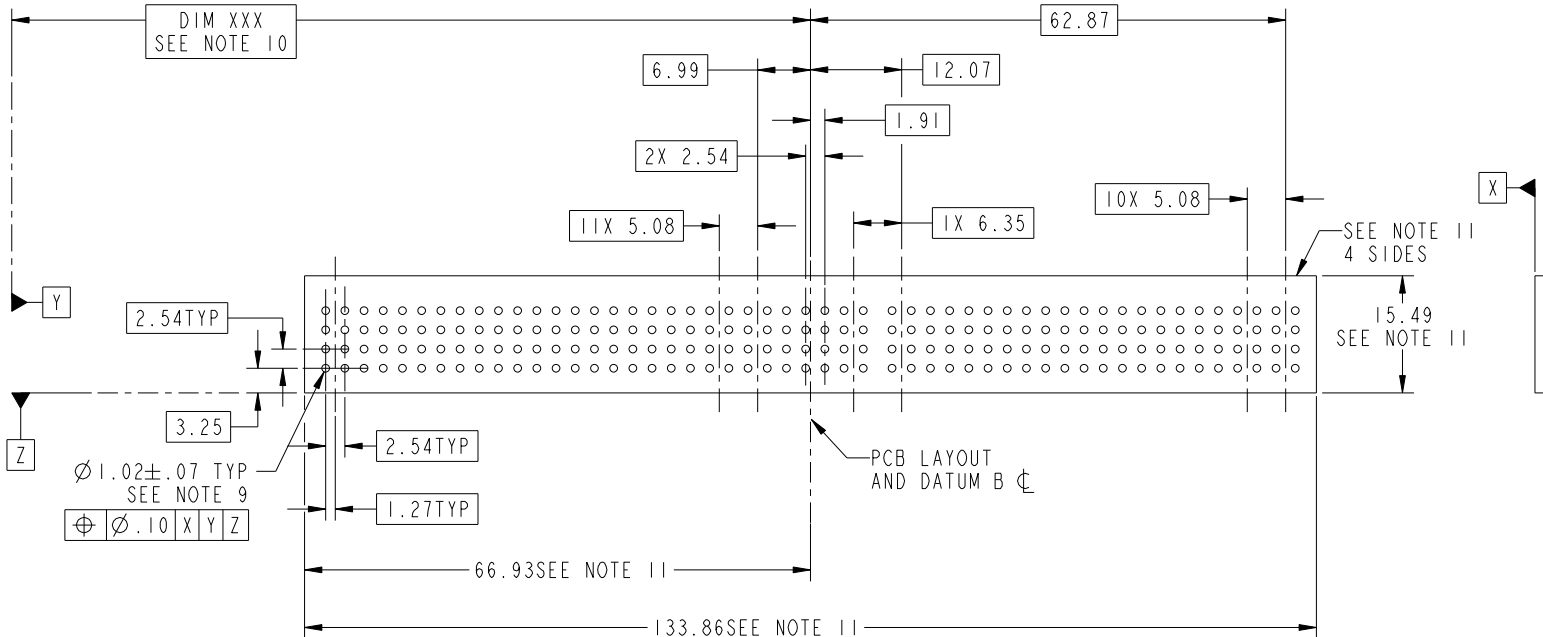
Printed: Dec 20, 2010

Tous droits strictement réservés. Reproduction ou communication a des tiers interdite sous quelque forme que ce soit sans autorisation écrite du propriétaire. Propriété de c.FCI. Droits de reproduction FCI.



All rights strictly reserved. Reproduction or issue to third parties in any form whatever is not permitted without written authority from the proprietor. Property of FCI. Copyright FCI.

PRODUCT NUMBER
51940-179--
NOTE: 3



mat'l code		SEE NOTE		tolerances unless otherwise specified		CUSTOMER		 www.fciconnect.com	
lir	ecn no.	dr	date	linear	0.X ±0.5	COPY		title	
B				linear	0.XX ±0.25	projection		12P + 12S + 12P VERTICAL SOLDER RECEPT	
				angles	0.XXX ±0.10			product family PwrBlade code	
				dr	JM GUO 11/30/05	MM		size 213	
				enrg	SLUO 11/30/05			dwg no 51940-179 sheet	
				chr	VICTOR LIN 11/30/05	scale 1:1		3	
				appd	JOSEPH HSIA 11/30/05				
sheet index	revision sheet								

cage code 28556

Pro/E

PDM: Rev:B

STATUS: Released

Printed: Dec 20, 2010

Tous droits strictement réservés. Reproduction ou communication a des tiers interdite sous quelque forme que ce soit sans autorisation écrite du propriétaire. Propriété de c.FCI. Droits de reproduction FCI.

All rights strictly reserved. Reproduction or issue to third parties in any form whatever is not permitted without written authority from the proprietor. Property of FCI. Copyright FCI.



1 | 2

3

4

PRODUCT NUMBER

51940-179--
NOTE: 3

NOTES:

1. DIMENSIONS AND TOLERANCES ARE IN ACCORDANCE WITH ASME Y14.5M, 1994 UNLESS OTHERWISE SPECIFIED.

CONNECTOR NOTES:

2 HOUSING MATERIAL: UL 94 V-0 GLASS FILLED HIGH-TEMP THERMOPLASTIC
POWER CONTACT MATERIAL: COPPER ALLOY
SIGNAL PIN MATERIAL: COPPER ALLOY

3. PLATING
SEE ITEM 5 & 6 IN PRINT 10064183 FOR PLATING SPEC OF 51940-179; 51940-179LF PRESPECTIVELY

4 MANUFACTURER'S NAME, P/N, AND DATE CODE TO APPEAR ON THIS SURFACE.

5. PRODUCT SPECIFICATION GS-12-149.
APPLICATION SPECIFICATION BUS-20-067.

6. PACKAGED IN TRAYS.

PCB NOTES:
7. ALL HOLE DIAMETERS ARE FINISHED HOLE SIZE.

8 MOUNTING HOLES, WHERE APPLICABLE, ARE UNPLATED.

9 $\varnothing 1.151 \pm 0.025$ DRILLED HOLES PLATED WITH 0.008 MIN SnPb OR Sn OVER 0.03 TO 0.08 Cu PLATING TO ACHIEVE $\varnothing 1.02 \pm .07$ HOLE.

10 "DIM XXX" TO BE DETERMINED BY THE CUSTOMER.

11 CONNECTOR KEEP-OUT ZONE.

12 A/B SYMBOL WILL BE NEXT TO ANY DIMENSION, VIEW, OR NOTE WHICH HAS BEEN MODIFIED WITH THE CURRENT DRAWING REVISION.

13. THE VOID CORING IN BETWEEN POWER MODULES, SIGNAL MODULES AND END MODULES ARE OPTIONAL AND THE SHAPE MAY BE DIFFERENT FOR OPTIMIZING THE MODING PROCESS. THE VOID CORING WILL NOT EFFECT TO PRODUCT FUNCTION.

mat'l code		SEE NOTE		tolerances unless otherwise specified		CUSTOMER		www.fciconnect.com	
lir	ecn no.	dr	date	linear	$0.X \pm 0.5$	COPY		title	
B					$0.XX \pm 0.25$	projection		12P + 12S + 12P VERTICAL SOLDER RECEPT	
				angles	$0.XXX \pm 0.10$			product family PwrBlade code	
				dr	JM GUO 11/30/05	MM		size dwg no	
				enrg	SLUO 11/30/05			213	
				chr	VICTOR LIN 11/30/05	scale		sheet	
				appd	JOSEPH HSIA 11/30/05	1:1		4	
sheet index	revision sheet							A 51940-179	

cage code 2856

1 | 2

Pro/E

PDM: Rev:B

STATUS: Released

Printed: Dec 20, 2010

A

A

B

B