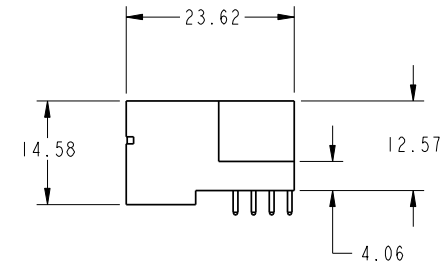
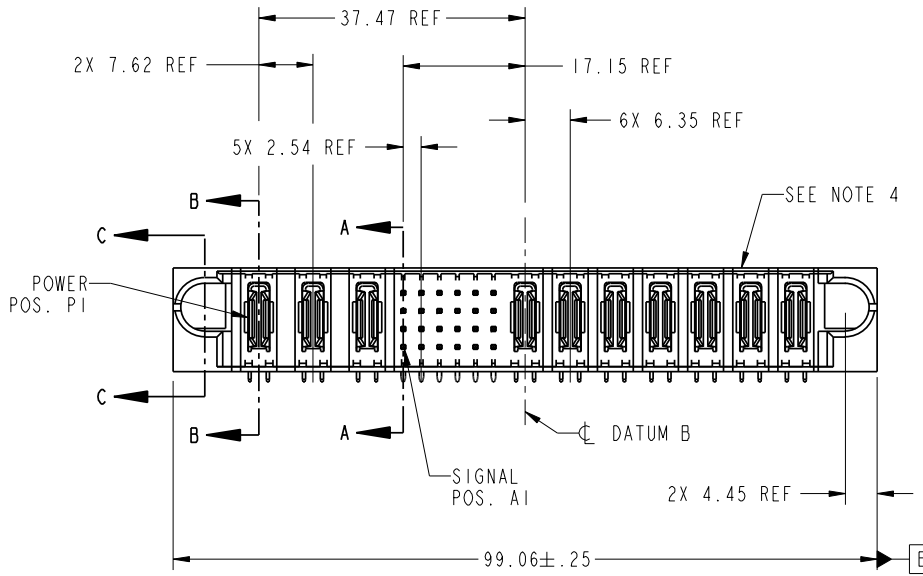


Tous droits strictement reserves. Reproduction ou communication a des tiers interdite sous quelque forme que ce soit sans autorisation écrite du propriétaire. Propriete de c FCI. Droits de reproduction FCI.



All rights strictly reserved. Reproduction or issue to third parties in any form whatever is not permitted without written authority from the proprietor. Property of FCI. Copyright FCI.

PRODUCT NO.	ROWS	POWER			SIGNAL						POWER						E2		
		E1	P1	P2	P3	1	2	3	4	5	6	P4	P5	P6	P7	P8		P9	P10
51939-302-- NOTE 3	D C B A																		



CONFIDENTIAL

CODE	DIM "M" MATING LENGTH	CONTACT TYPE
U	[6.86]	SIGNAL
T	[6.86]	SIGNAL
S	[6.86]	SIGNAL
R	[6.86]	SIGNAL
PA	[N/A]	POWER
E	[5.59]	SIGNAL

mat'l code				SEE NOTE		tolerances unless otherwise specified		CUSTOMER	
lir	ecn no.	dr	date	linear	0.X ± 0.3	COPY		FCI	
A	DG07-0282	RYUAN	07/04/07		0.XX ± 0.13	projection		www.fciconnect.com	
				angles	0.XXX ± 0.051			title	
				dr	0° ± 2°			3ACP + 24S + 7P	
				enr	RYAN YUAN 06/25/07	scale		RIGHT ANGLE SOLDER HEADER	
				chr	GARY HSIEH 06/25/07	1:1		product family	
				appd	JOSEPH HSIA 06/25/07			PwrBlade	
sheet index	revision	A	A	A	A			code	
	sheet	1	2	3	4			213	
								size	
								dwg no	
								A	
								51939-302	
								sheet	
								1 of 4	

cage code 22526

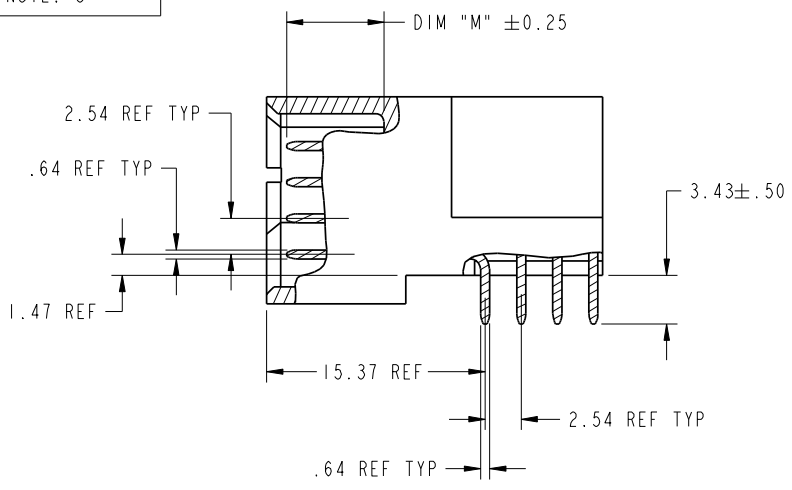
Pro/E

Tous droits strictement reserves. Reproduction ou communication a des tiers interdite sous quelque forme que ce soit sans autorisation ecrite du proprietaire. Propriete de c FCI. Droits de reproduction FCI.

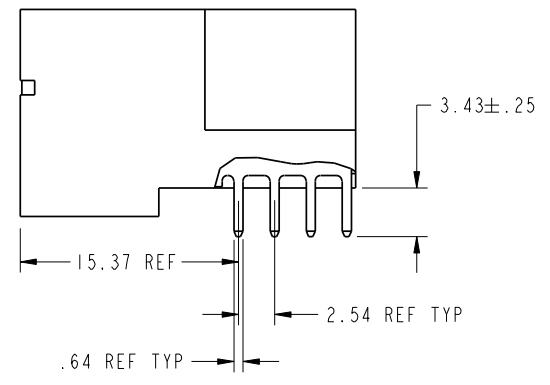


All rights strictly reserved. Reproduction or issue to third parties in any form whatever is not permitted without written authority from the proprietor. Property of FCI. Copyright FCI.

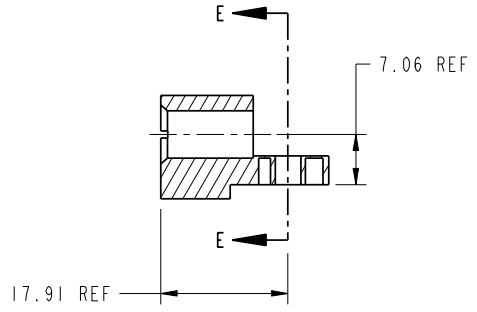
PRODUCT NUMBER  
51939-302\_\_  
NOTE: 3



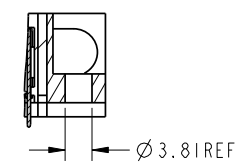
BROKEN-OUT SECTION A-A  
SCALE 2:1



BROKEN-OUT SECTION B-B  
SCALE 2:1



SECTION C-C



PARTIAL SECTION E-E

CONFIDENTIAL

mat'l code				SEE NOTE		tolerances unless otherwise specified		CUSTOMER		FCI www.fciconnect.com	
lir	ecr no.	dr	date	linear	0.X ±0.3	projection		COPY		title	
A				angles	0.XX ±0.13	MM		A		3ACP + 24S + 7P RIGHT ANGLE SOLDER HEADER	
				dr	0.XXX ±0.051	scale		1:1		product family	
				enrg	0° ±2°					PwrBlade	
				chr	RYAN YUAN 06/25/07					code	
				appd	RYAN YUAN 06/25/07					213	
					GARY HSIEH 06/25/07					sheet	
					JOSEPH HSIA 06/25/07					2 of 4	
sheet index	revision sheet										

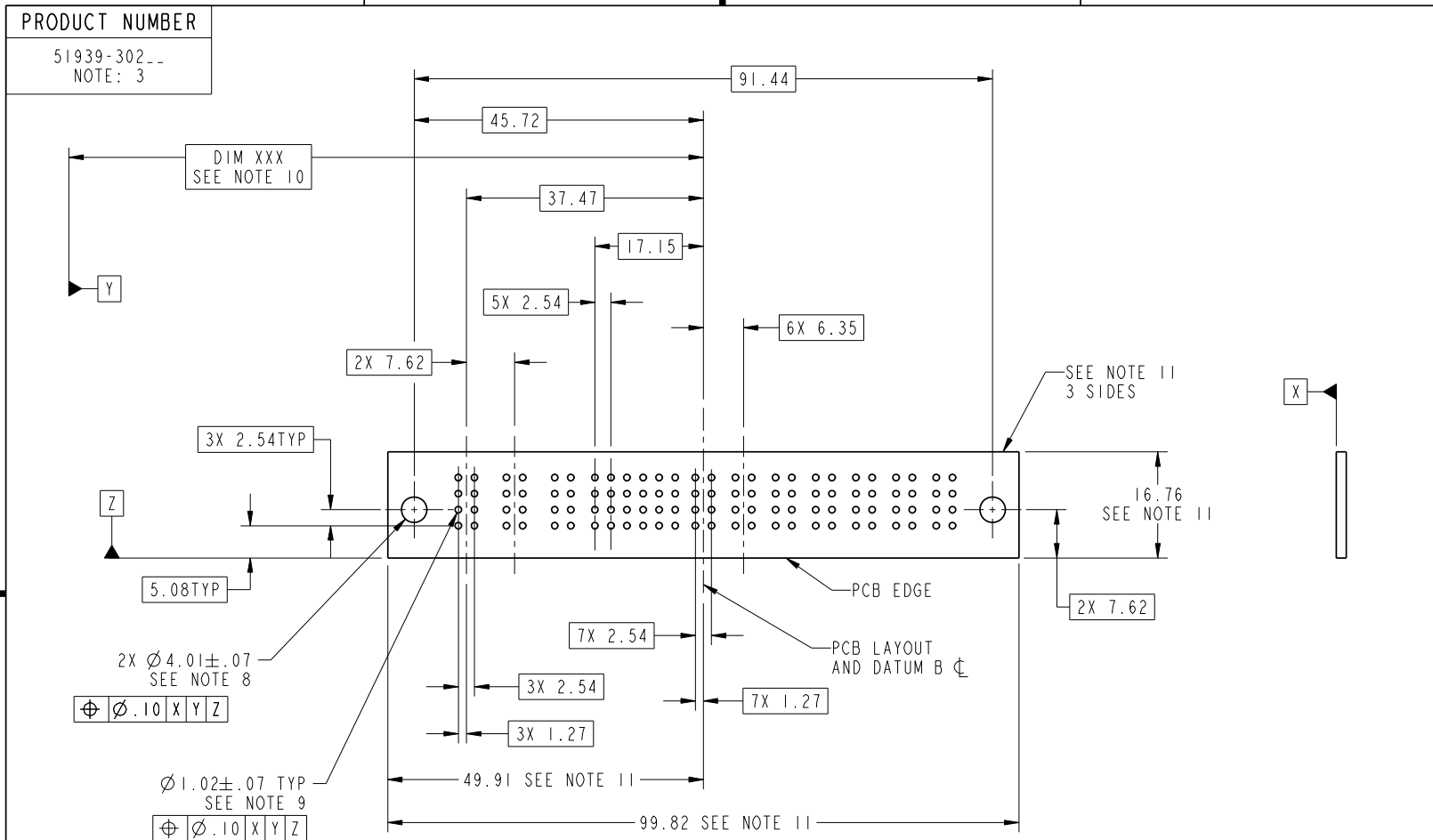
cage code 22526

Pro/E

Tous droits strictement reserves. Reproduction ou communication a des tiers interdite sous quelque forme que ce soit sans autorisation ecrite du proprietaire. Propriete de c FCI. Droits de reproduction FCI.



All rights strictly reserved. Reproduction or issue to third parties in any form whatever is not permitted without written authority from the proprietor. Property of FCI. Copyright FCI.



RECOMMENDED PCB LAYOUT

CONFIDENTIAL

mat'l code				SEE NOTE		tolerances unless otherwise specified		CUSTOMER		 www.fciconnect.com		
lfr	ecn no.	dr	date	linear	0.X ± 0.3	projection		COPY		title		
A				angles	0.XX ± 0.13					3ACP + 24S + 7P RIGHT ANGLE SOLDER HEADER		
				dr	0.XXX ± 0.051			product family		code		
				enr	RYAN YUAN 06/25/07	scale		PwrBlade		213		
				chr	RYAN YUAN 06/25/07	1:1		size		sheet		
				appd	GARY HSIEH 06/25/07			A		3 of 4		
					JOSEPH HSIA 06/25/07			51939-302				
sheet index	revision sheet											

cage code 22526

Pro/E

Tous droits strictement reserves. Reproduction ou communication a des tiers interdite sous quelque forme que ce soit sans autorisation écrite du propriétaire. Propriete de c FCI. Droits de reproduction FCI.



All rights strictly reserved. Reproduction or issue to third parties in any form whatever is not permitted without written authority from the proprietor. Property of FCI. Copyright FCI.

PRODUCT NUMBER  
51939-302\_\_  
NOTE: 3

NOTES:

1. DIMENSIONS AND TOLERANCES ARE IN ACCORDANCE WITH ASME Y14.5M, 1994 UNLESS OTHERWISE SPECIFIED.

CONNECTOR NOTES:

- 2. HOUSING MATERIAL: UL 94 V-0 GLASS FILLED HIGH-TEMP THERMOPLASTIC  
POWER CONTACT MATERIAL: COPPER ALLOY  
SIGNAL PIN MATERIAL: COPPER ALLOY
- 3. 51939-302; 51939-302LF PLATING SPEC. SEE PRINT:10064183
- 4. MANUFACTURER'S NAME, P/N, AND DATE CODE TO APPEAR ON THIS SURFACE.
- 5. PRODUCT SPECIFICATION GS-12-149.  
APPLICATION SPECIFICATION BUS-20-067.
- 6. PACKAGED IN TRAYS.

PCB NOTES:

- 7. ALL HOLE DIAMETERS ARE FINISHED HOLE SIZE.
- 8. MOUNTING HOLES, WHERE APPLICABLE, ARE UNPLATED.
- 9.  $\varnothing 1.151 \pm 0.025$  DRILLED HOLES PLATED WITH 0.008 MIN SnPb OR Sn OVER 0.03 TO 0.08 Cu PLATING TO ACHIEVE  $\varnothing 1.02 \pm .07$  HOLE.
- 10. "DIM XXX" TO BE DETERMINED BY THE CUSTOMER.
- 11. CONNECTOR KEEP-OUT ZONE.

CONFIDENTIAL

mat'l code				SEE NOTE		tolerances unless otherwise specified		CUSTOMER		FCI		www.fciconnect.com	
lfr	ecn no.	dr	date	linear	0.X ± 0.3	COPY		projection		title			
A					0.XX ± 0.13					3ACP + 24S + 7P RIGHT ANGLE SOLDER HEADER			
				angles	0° ± 2°					product family		PwrBlade	code
				dr	RYAN YUAN	06/25/07			scale		size	dwg no	213
				enrg	RYAN YUAN	06/25/07			1:1		A	51939-302	sheet
				chr	GARY HSIEH	06/25/07							4 of 4
				appd	JOSEPH HSIA	06/25/07							
sheet index		revision sheet											

cage code 22526

Pro/E