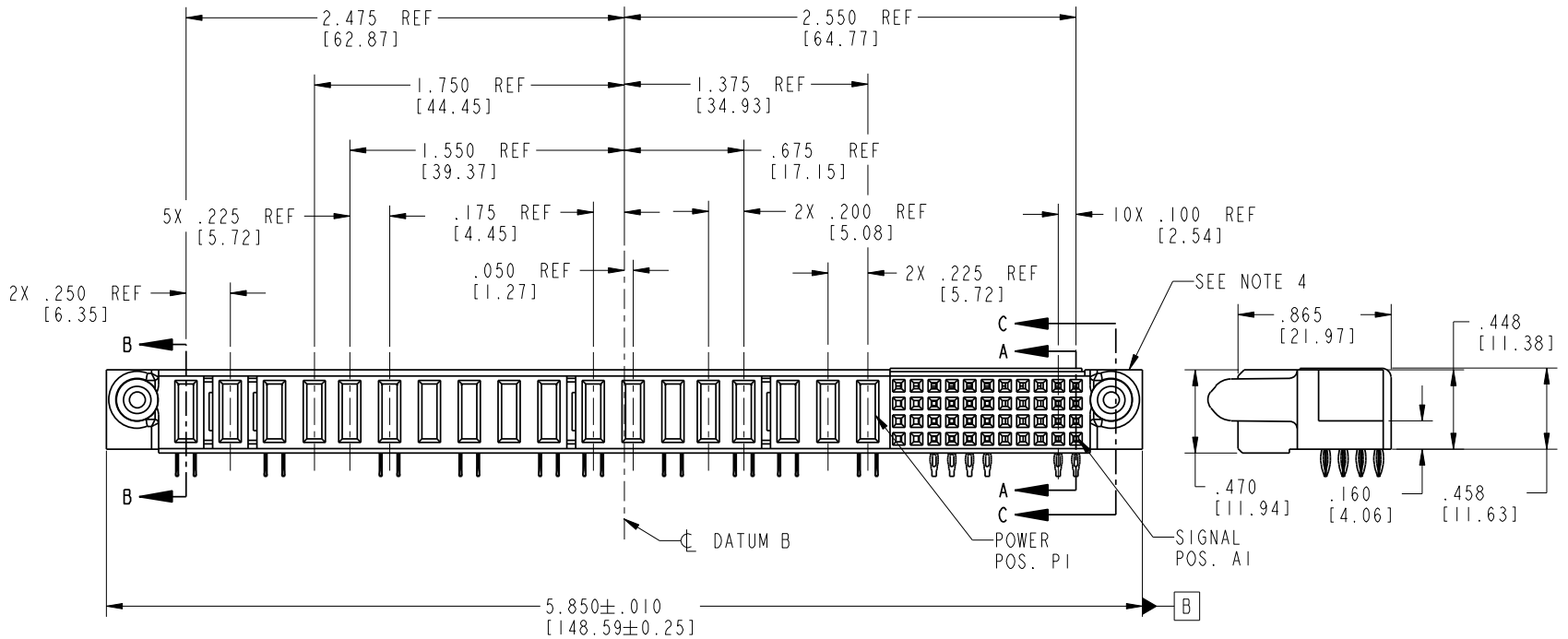
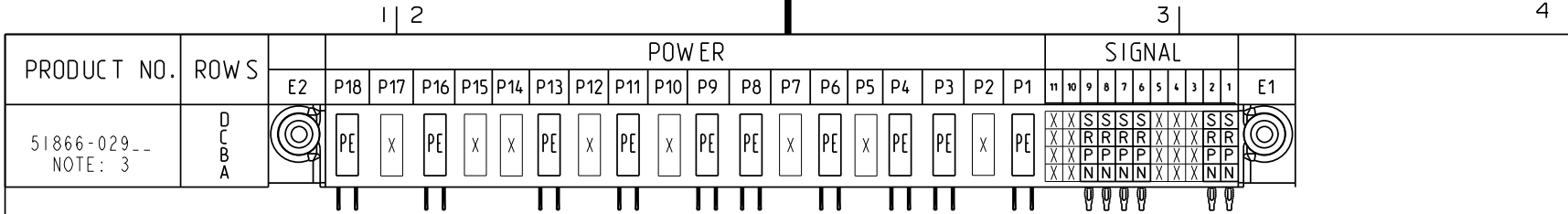


Tous droits strictement réservés. Reproduction ou communication o des liers interdite sous quelque forme que ce soit sans autorisation écrite du propriétaire. Propriété de c FCI. Droits de reproduction FCI.

All rights strictly reserved. Reproduction or issue to third parties in any form whatever is not permitted without written authority from the proprietor. Property of FCI. Copyright FCI.

FCI



CODE	DIM "M" MATING LENGTH	CONTACT TYPE
N	N/A [N/A]	SIGNAL
P	N/A [N/A]	SIGNAL
R	N/A [N/A]	SIGNAL
S	N/A [N/A]	SIGNAL
PE	.042 [1.07]	POWER
X	OMITTED	OMITTED

mat'l code				tolerances unless otherwise specified		CUSTOMER	
SEE NOTE 2				.XX±.01/0.X±0.3		COPY	
lir	ecn no.	dr	date	linear	.XX±.005/0.XX±0.13	projection	
A	V04-1043	TAB	10/26/04	angles	.XXX±.0020/0.XXX±0.051	INCH/MM	
B	DG05-0530	GuoJM	12/09/05	dr	$0^\circ \pm 2^\circ$	scale	
				enr	T. BRUNGARD 10/26/04	1:1	
				chr	M. GRAY 10/26/04	A 51866-029	
				oppd	M. GRAY 10/26/04	product family PwrBlade	
sheet index	revision sheet	B 1	B 2	B 3	B 4	code 213	
						sheet 1 of 4	

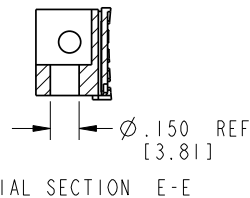
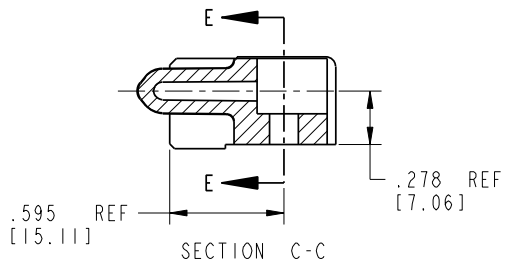
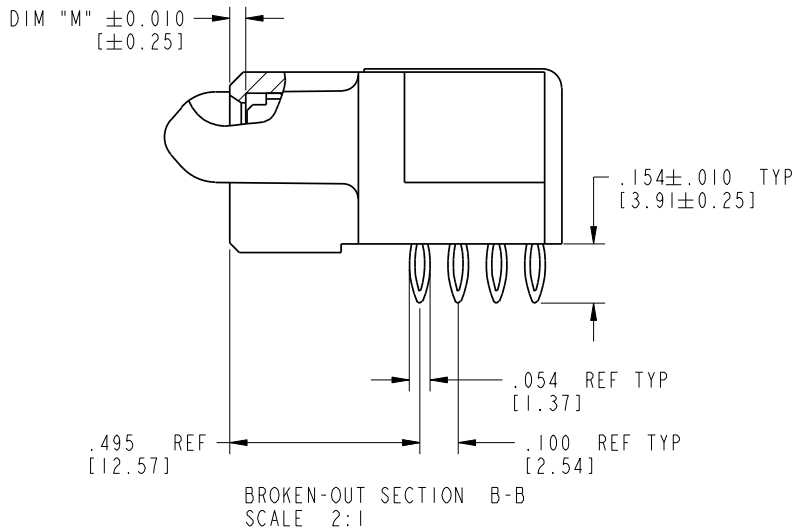
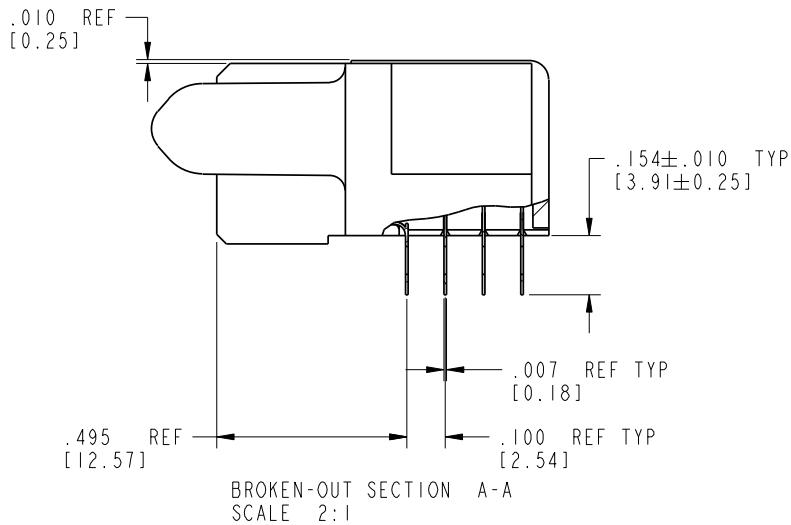
Tous droits strictement réservés. Reproduction ou communication o des liers interdite sous quelque forme que ce soit sans autorisation écrite du propriétaire. Propriete de c FCI. Droits de reproduction FCI.

All rights strictly reserved. Reproduction or issue to third parties in any form whatever is not permitted without written authority from the proprietor. Property of FCI. Copyright FCI.

FCI

PRODUCT NUMBER

51866-029__
NOTE: 3



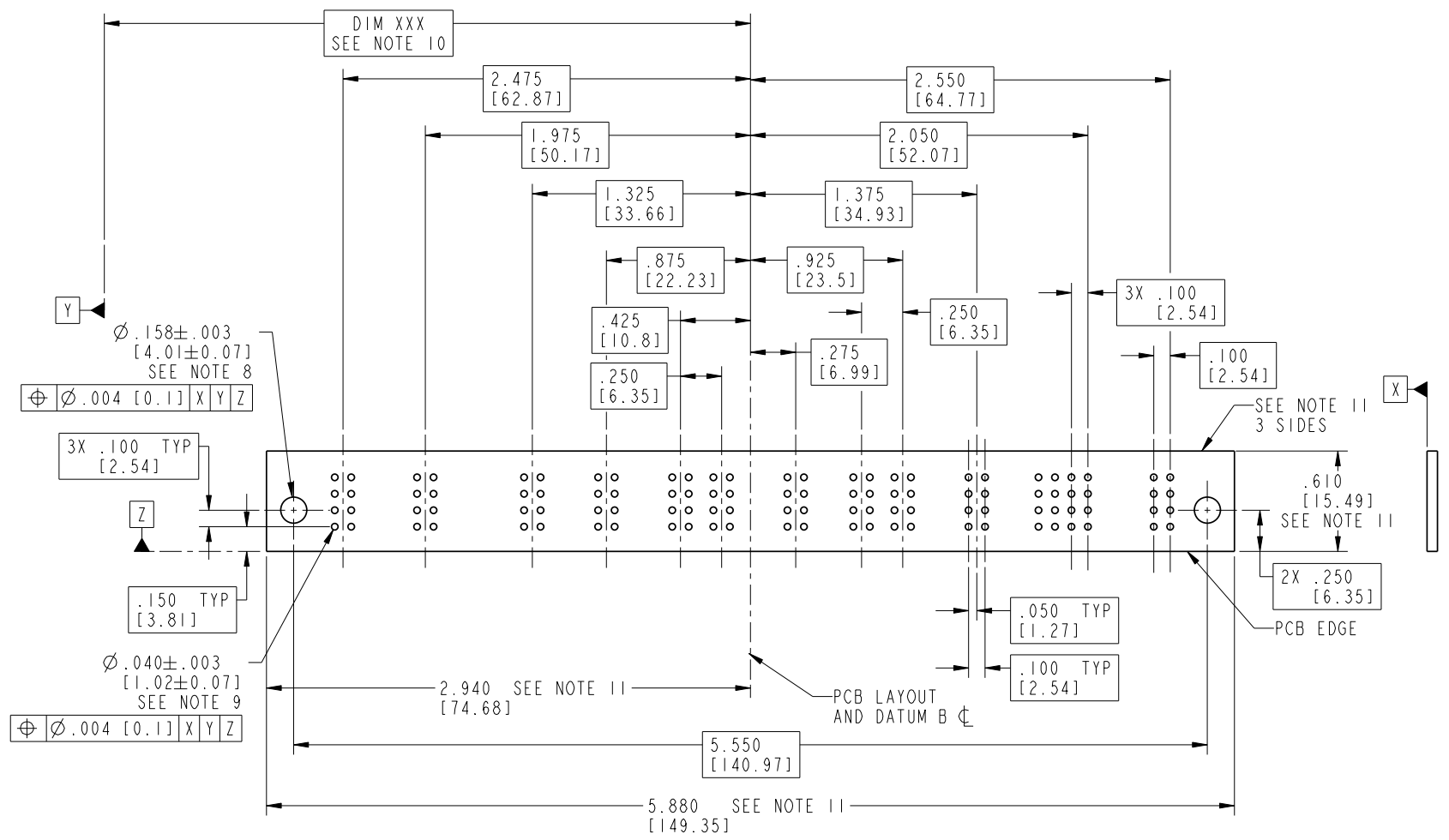
mat'l code		SEE NOTE 2		tolerances unless otherwise specified		CUSTOMER		FCI		www.fciconnect.com	
lir	ecn no.	dr	date	linear	.XX ± .01 / 0.X ± 0.3	projection	COPY		title 44S + 18P		
B					.XX ± .005 / 0.XX ± 0.13		INCH/MM		R/A PRESS-FIT RECEPTACLE		
				angles	.XXX ± .0020 / 0.XXX ± 0.051		scale 1:1		product family PwrBlade		code 213
				dr	T. BRUNGARD 10/26/04			size		sheet 2 of 4	
				enr	M. GRAY 10/26/04			A		51866-029	
				chr	M. GRAY 10/26/04						
				appd	M. GRAY 10/26/04						
sheet index	revision sheet										

Tous droits strictement réservés. Reproduction ou communication o des liers interdite sous quelque forme que ce soit sans autorisation écrite du propriétaire. Propriete de c FCI. Droits de reproduction FCI.

All rights strictly reserved. Reproduction or issue to third parties in any form whatever is not permitted without written authority from the proprietor. Property of FCI. Copyright FCI.

FCI

PRODUCT NUMBER
51866-029__
NOTE: 3



mat'l code		SEE NOTE 2		tolerances unless otherwise specified		CUSTOMER		FCI		www.fciconnect.com	
lir	ecr no.	dr	date	linear	.XX±.01/0.X±0.3	projection	COPY		title 44S + 18P		
B				angles	.XX±.005/0.XX±0.13		INCH/MM		R/A PRESS-FIT RECEPTACLE		
				dr	.XXX±.0020/0.XXX±0.051		scale	product family	PwrBlade	code 213	
				enr	T. BRUNGARD 10/26/04	1:1	size	dwg no	sheet 3 of 4		
				chr	M. GRAY 10/26/04		A	51866-029			
				appd	M. GRAY 10/26/04						
sheet index	revision sheet										

Tous droits strictement réservés. Reproduction ou communication a des tiers interdite sous quelque forme que ce soit sans autorisation écrite du propriétaire. Propriété de c FCI. Droits de reproduction FCI.

A FCI

All rights strictly reserved. Reproduction or issue to third parties in any form whatever is not permitted without written authority from the proprietor. Property of FCI. Copyright FCI.

B

1 | 2

3 |

4

A

B

PRODUCT NUMBER

51866-029__
NOTE: 3

NOTES:

1. DIMENSIONS AND TOLERANCES ARE IN ACCORDANCE WITH ASME Y14.5M, 1994 UNLESS OTHERWISE SPECIFIED.

CONNECTOR NOTES:

② HOUSING MATERIAL: UL 94 V-0 GLASS FILLED
HIGH-TEMP THERMOPLASTIC
POWER CONTACT MATERIAL: COPPER ALLOY
SIGNAL PIN MATERIAL: COPPER ALLOY

3. PLATING:

51866-029 Singal Pin:30u"/0.76um Au OVER 50u"/1.27um Ni ON THE CONTACT AREA.
AND 100u"/2.54um SnPb PLATING OVER 50u"/1.27um Ni ON THE TERMINATION SECTION.
Power Pin:30u"/0.76um Au OVER 50u"/1.27um Ni ON THE CONTACT AREA,
AND 100u"/2.54um SnPb PLATING OVER 50u"/1.27um Ni ON THE TERMINATION SECTION.

51866-029LF Singal Pin:30u"/0.76um Au OVER 50u"/1.27um Ni ON THE CONTACT AREA.
AND 78u"/2.00um Sn PLATING OVER 50u"/1.27um Ni ON THE TERMINATION SECTION.
Power Pin:30u"/0.76um Au OVER 50u"/1.27um Ni ON THE CONTACT AREA,
AND 78u"/2.00um Sn PLATING OVER 50u"/1.27um Ni ON THE TERMINATION SECTION.

PART NUMBER 51866-029LF MEETS EUROPEAN UNION DIRECTIVE AND OTHER ICOUNTRY REGULATIONS AS DESCRIBED IN GS-22-008.

THE HOUSING WILL WITHSTAND EXPOSURE TO 260° PEAK TEMPERATURE FOR 10 SECONDS IN A WAVE SOLDER APPLICATION WITH A CIRCUIT BOARD.

④ MANUFACTURER'S NAME, P/N, AND DATE CODE TO APPEAR ON THIS SURFACE.

5. PRODUCT SPECIFICATION GS-12-149.
APPLICATION SPECIFICATION BUS-20-067.

6. PACKAGED IN TRAYS.

PCB NOTES:


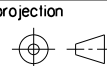

7. ALL HOLE DIAMETERS ARE FINISHED HOLE SIZE.

⑧ MOUNTING HOLES, WHERE APPLICABLE, ARE UNPLATED.

⑨ $\varnothing .0453 \pm .0010$ [1.151 ± 0.025] DRILLED HOLES PLATED WITH .0003 [0.008] MIN SnPb OVER .001 [0.03] TO .003 [0.08] Cu PLATING TO ACHIEVE $\varnothing .040 \pm .003$ [1.02 ± .07] HOLE.

⑩ USE FCI GAM TOOL 430140 TO THE CUSTOMER. TO APPLY CONNECTOR TO PCB.

⑪ CONNECTOR KEEP-OUT ZONE.

mat'l code		SEE NOTE 2		tolerances unless otherwise specified		CUSTOMER		 www.fciconnect.com	
lir	ecn no.	dr	date	linear	.XX±.01/0.X±0.3	COPY		title	
B				projection	.XXX±.005/0.XX±0.13			44S + 18P	
				angles	.XXX±.0020/0.XXX±0.051			R/A PRESS-FIT RECEPTACLE	
				dr	0° ± 2°	INCH/MM		product family	
				enrg	T. BRUNGARD 10/26/04	scale		PwrBlade	
				chr	M. GRAY 10/26/04	1:1		code	
				appd	M. GRAY 10/26/04	A		213	
sheet index		revision sheet		size		A		sheet	
				51866-029				4 of 4	

1 | 2

Pro/E

PDM: Rev: B

STAT **US: Released**

Printed: Dec 20, 2010