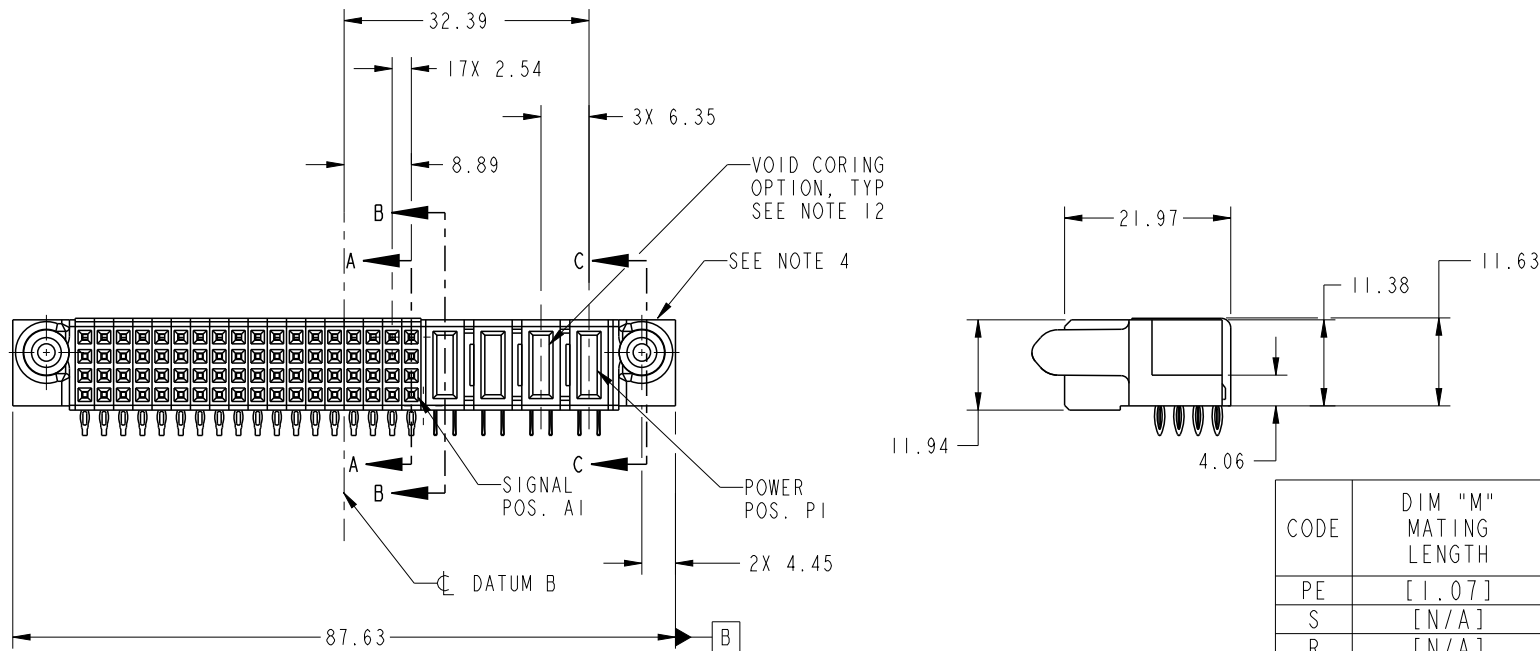


PRODUCT NO. 51772-031-- NOTE 3	ROWS D C B A	SIGNAL																		POWER				E1	
		E2	18	17	16	15	14	13	12	11	10	9	8	7	6	5	4	3	2	1	P4	P3	P2		P1
		S	S	S	S	S	S	S	S	S	S	S	S	S	S	S	S	S	S	S	PE	PE	PF		PF
		R	R	R	R	R	R	R	R	R	R	R	R	R	R	R	R	R	R	R					
		P	P	P	P	P	P	P	P	P	P	P	P	P	P	P	P	P	P						
		N	N	N	N	N	N	N	N	N	N	N	N	N	N	N	N	N	N	N					



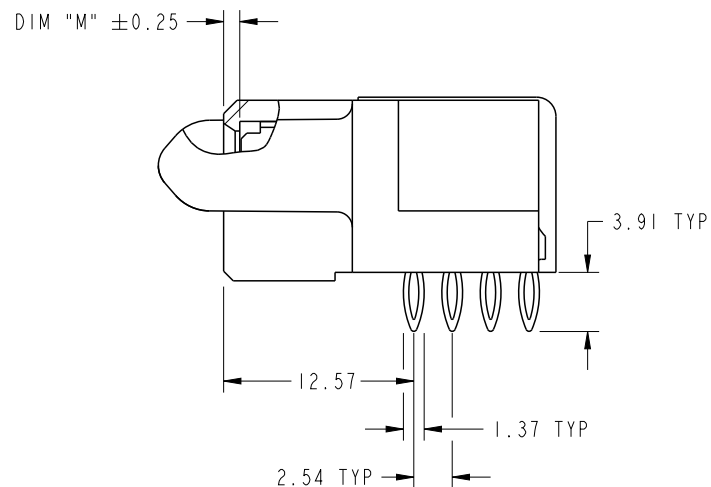
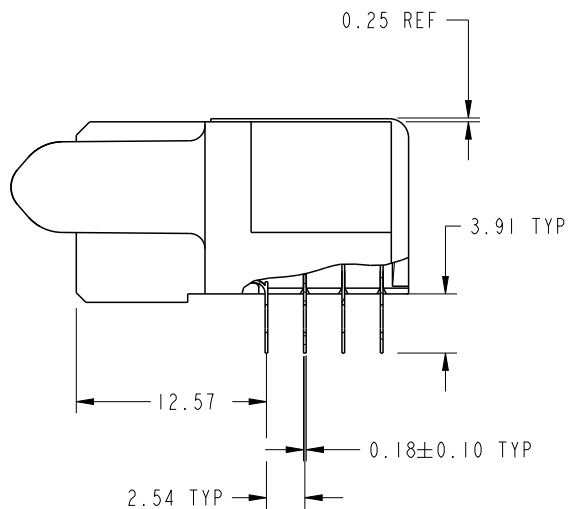
CODE	DIM "M" MATING LENGTH	CONTACT TYPE
PE	[1.07]	POWER
S	[N/A]	SIGNAL
R	[N/A]	SIGNAL
P	[N/A]	SIGNAL
N	[N/A]	SIGNAL
PF	[2.34]	POWER

spec ref	SEE NOTES			dr	X Q Wang	2012/02/27	projection	MM	size	A4	scale	1:1
tolerance std	TOLERANCES UNLESS OTHERWISE SPECIFIED			eng	X Q Wang	2012/03/01			ecn no	-		
SEE NOTES				chr	-	-			product family	PwrBlade		
surface	linear	0.X	±0.50	appr	Pei-Ming Zheng	2012/03/05	www.fci.com		title	4P + 72S		rev
✓		0.XX	±0.25	cat. no.		Product - Customer Drw		dwg no	51772-031		A	
		0.XXX	±0.10	R/A PRESS FIT RECEPTACLE		sheet 1 of 4						
angular	0°	±2°										

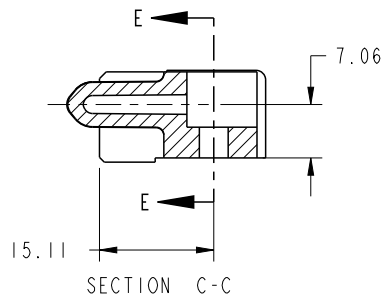
Prod File - REV C - 2009-06-09

PRODUCT NUMBER

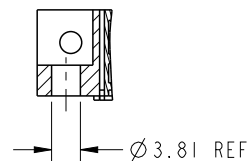
51772-031 --
NOTE 3



BROKEN-OUT SECTION A-A
SCALE 2:1



BROKEN-OUT SECTION B-B
SCALE 2:1

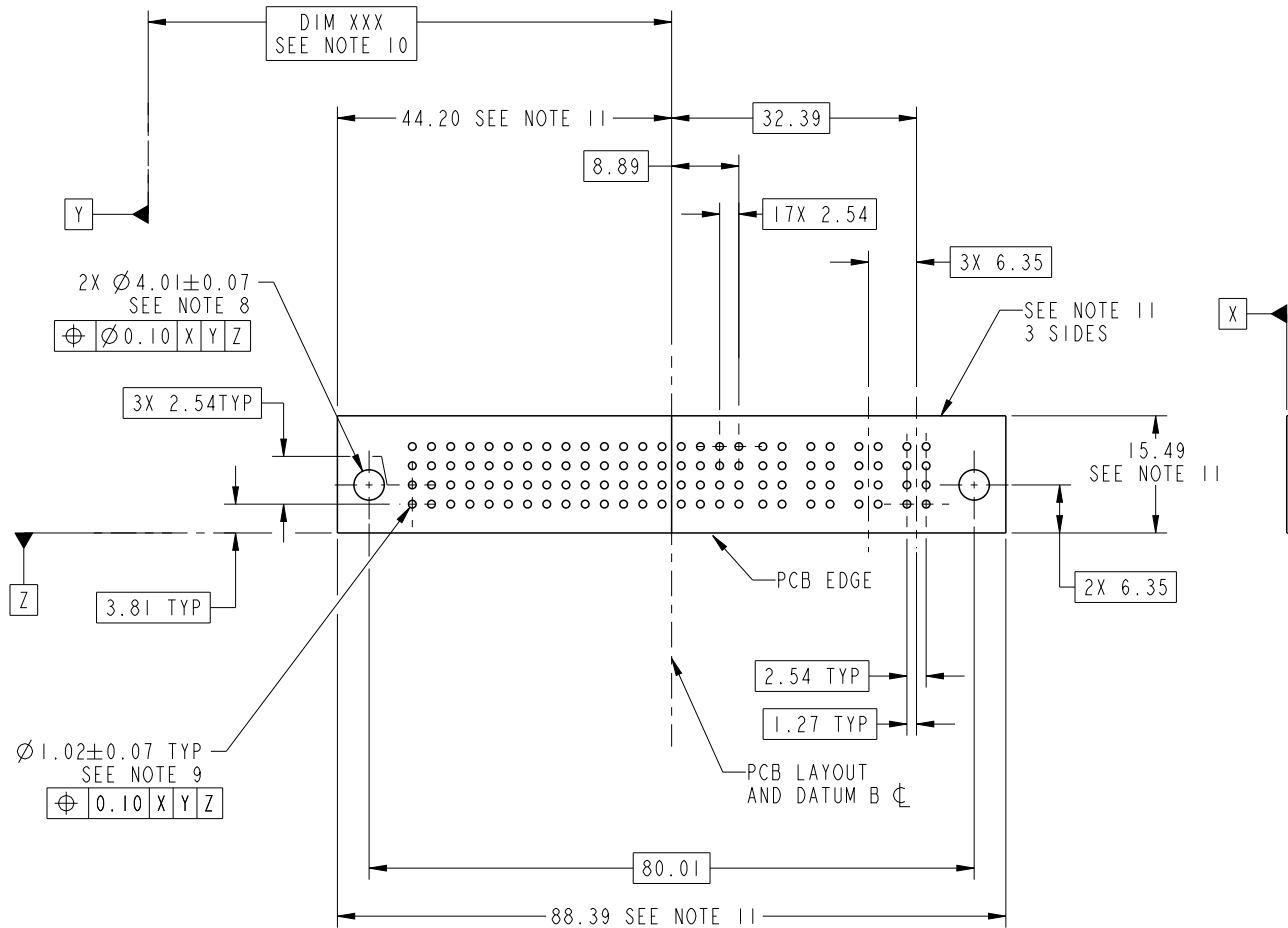


PARTIAL SECTION E-E

dr	X Q Wang	2012/02/27	projection 	MM 	size	A4	scale	1:1
eng	X Q Wang	2012/03/01			ecn no	-		
chr	-	-			rel level	Released		
appr	Pei-Ming Zheng	2012/03/05	product family	PwrBlade	rev	A		
		title 4P + 72S R/A PRESS FIT RECEPTACLE	dwg no 51772-031	sheet 2 of 4				
www.fci.com		cat. no.	Product - Customer Drw					

PRODUCT NUMBER

51772-031--
NOTE 3



RECOMMENDED PCB LAYOUT

dr	X Q Wang	2012/02/27	projection 	MM 	size	A4	scale	1:1
eng	X Q Wang	2012/03/01			ecn no	-		
chr	-	-			rel level	Released		
appr	Pei-Ming Zheng	2012/03/05	product family	PwrBlade	rel level	Released		
	title	4P + 72S R/A PRESS FIT RECEPTACLE		dwg no	51772-031		rev	A
www.fci.com	cat. no.	Product - Customer Drw			sheet 3 of 4			

PRODUCT NUMBER

51772-031--
NOTE 3

NOTES:

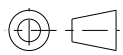
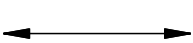

1. DIMENSIONS AND TOLERANCES ARE IN ACCORDANCE WITH ASME Y14.5M, 1994 UNLESS OTHERWISE SPECIFIED.

CONNECTOR NOTES:

- 2. HOUSING MATERIAL: UL 94 V-0 GLASS FILLED HIGH-TEMP THERMOPLASTIC
POWER CONTACT MATERIAL: COPPER ALLOY
SIGNAL PIN MATERIAL: COPPER ALLOY
- 3. SEE ITEM 7 & 8 IN PRINT 10064183 FOR PLATING SPEC OF 51772-031 AND 51772-031LF RESPECTIVELY.
- 4. MANUFACTURER'S NAME, DATE CODE AND OPTIONAL P/N TO APPEAR ON THIS SURFACE. THE P/N CAN BE OMITTED IF THERE IS NOT ENOUGH SPACE ON THIS SURFACE.
- 5. PRODUCT SPECIFICATION GS-12-149.
APPLICATION SPECIFICATION BUS-20-067.
- 6. PACKAGED IN TRAYS.

PCB NOTES:

- 7. ALL HOLE DIAMETERS ARE FINISHED HOLE SIZE.
- 8. MOUNTING HOLES, WHERE APPLICABLE, ARE UNPLATED.
- 9. $\varnothing 1.151 \pm 0.025$ DRILLED HOLES PLATED WITH
0.008 MIN SnPb OR Sn OVER 0.03
TO 0.08 Cu PLATING TO ACHIEVE
 $\varnothing 1.02 \pm .07$ HOLE.
- 10. "DIM XXX" TO BE DETERMINED BY THE CUSTOMER.
- 11. CONNECTOR KEEP-OUT ZONE.
- 12. THE VOID CORING IN BETWEEN POWER MODULES, SIGNAL MODULES AND END MODULES ARE OPTIONAL AND THE SHAPE MAY BE DIFFERENT FOR OPTIMIZE THE MOLDING PROCESS. THE VOID CORING WILL NOT EFFECT TO PRODUCT FUNCTION.
- 13. USE FCI CAM TOOL 430140-XXX TO APPLY CONNECTOR TO PCB.

dr	X Q Wang	2012/02/27	projection 	MM 	size	A4	scale	1:1
eng	X Q Wang	2012/03/01			ecn no	-		
chr	-	-			product family	PwrBlade	rel level	Released
appr	Pei-Ming Zheng	2012/03/05			title 4P + 72S R/A PRESS FIT RECEPTACLE	dwg no 51772-031	rev A	
www.fci.com		cat. no.	Product - Customer Drw			sheet 4 of 4		



Copyright FCI.