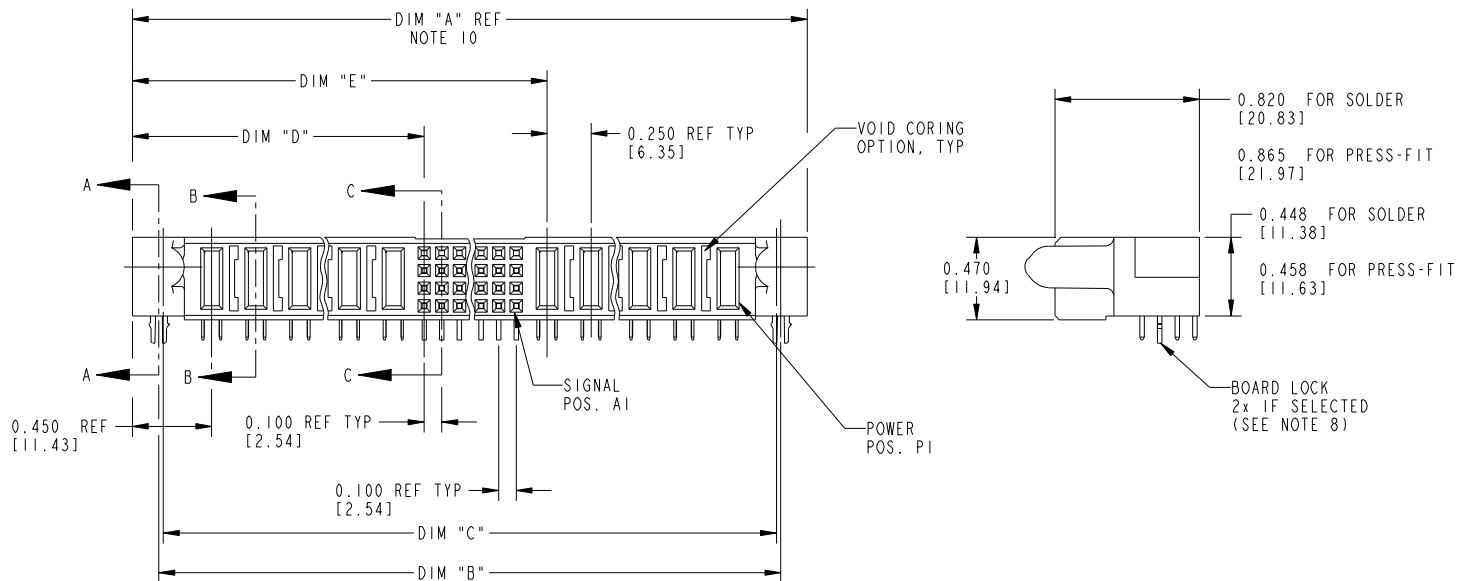
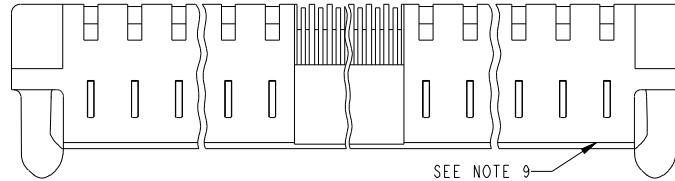


Tous droits strictement réservés. Reproduction ou communication à des tiers interdite, sous quelque forme que ce soit sans autorisation écrite du propriétaire. Propriété de c FCI. Droits de reproduction FCI.



All rights strictly reserved. Reproduction or issue to third parties in any form whatever is not permitted without written authority from the proprietor. Property of FCI. Copyright FCI.

PRODUCT NUMBER
51760- ABBCCDDEF _ Note: ③
SEE NOTE 1



mat'l code SEE NOTE 2				tolerances unless otherwise specified		CUSTOMER COPY	www.fciconnect.com
ltr	ecn no.	dr	date	linear	.XX±.01/.X±.3		
K	DG05-0124	SJ	06/03/05		.XXX±.005/.XX±.13	product family PwrBlade code 213	
L	DG05-0485	GuoJM	11/21/05		.XXX±.0020/.XXX±.051		size dwg no 51760
M	DG07-0498	JW	05/23/08	angles	0°±2°	scale 1:1	
				dr	D. BOGLE 05-18-99		cage code 22526
				enr	J. BROWN 05-18-99		
				chr	J. BROWN 05-18-99		
				appd	J. BROWN 05-18-99		
sheet index	revision sheet	M	M	M			
		1	2	3			

THIS FILE WAS ORIGINALLY CREATED IN THE PRO ENGINEER ENVIRONMENT AND ANY FUTURE REVISIONS TO THIS FILE MUST BE MADE IN THE PRO ENGINEER ENVIRONMENT

form no. 7530-001-103

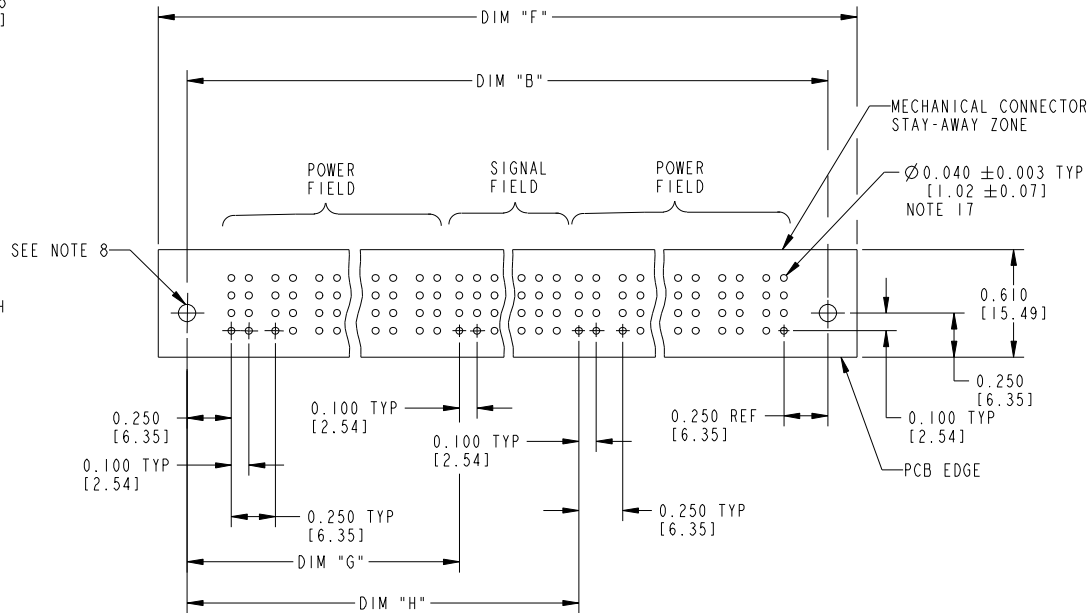
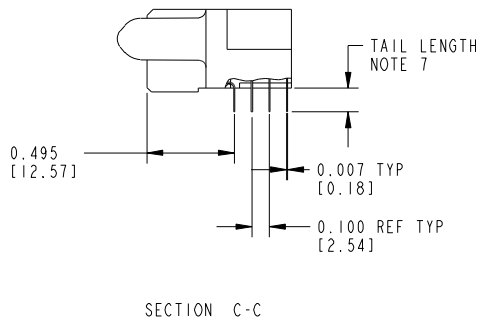
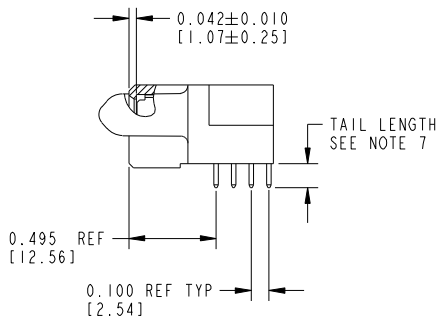
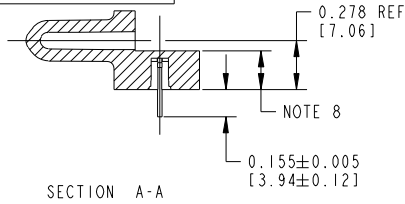
cage code 22526

Tous droits strictement réservés. Reproduction ou communication à des tiers interdite sous quelque forme que ce soit sans autorisation écrite du propriétaire. Propriété de c.FCI. Droits de reproduction FCI.



All rights strictly reserved. Reproduction or issue to third parties in any form whatever is not permitted without written authority from the proprietor. Property of FCI. Copyright FCI.

PRODUCT NUMBER
51760 - ABBCCDDEF__
Note: ③
SEE NOTE 1



mat'l code				tolerances unless otherwise specified		CUSTOMER COPY		FCI www.fciconnect.com	
ltr	ecn no.	dr	date	linear	.XX±.01/.X±.3	projection		title RIGHT ANGLE RECEPTACLE w/GUIDE PIN POWER / SIGNAL / POWER	
M				angles	.XXX±.005/.XX±.13 .XXX±.0020/.XXX±.051	INCH / MM		product family	PwrBlade
				dr	0°±2°	scale	1:1	size	213
				enr	D. BOGLE 05-18-99			dwg no	51760
				chr	J. BROWN 05-18-99				SHEET 3 OF 3
				appd	J. BROWN 05-18-99				
sheet index	revision sheet								

form no. 7530-001-103

cage code 22526