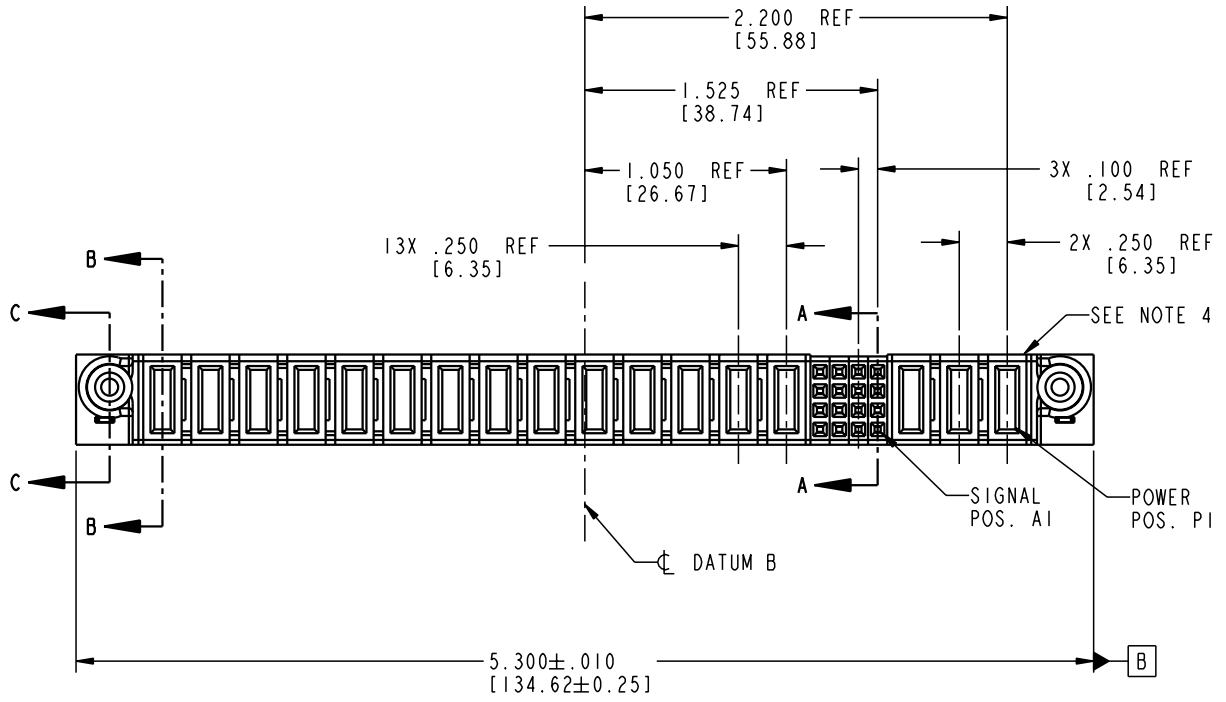


Tous droits strictement réservés. Reproduction ou communication o des liers interdite sous quelque forme que ce soit sans autorisation écrite du propriétaire. Propriete de c FCI. Droits de reproduction FCI.

All rights strictly reserved. Reproduction or issue to third parties in any form whenever is not permitted without written authority from the proprietor. Property of FCI. Copyright FCI.

PRODUCT NO.	ROWS	POWER														SIGNAL				POWER			E1	
		E2	P17	P16	P15	P14	P13	P12	P11	P10	P9	P8	P7	P6	P5	P4	4	3	2	1	P3	P2		P1
51750-037	D C B A		PA	X	PA	X	PA	X	PA	X	PA	X	PA	X	PA	X					X	PA	PA	



CODE	DIM "M" MATING LENGTH	CONTACT TYPE
E	N/A [N/A]	SIGNAL
PA	.042 [1.07]	POWER
HA	N/A [N/A]	HOLD-DOWN

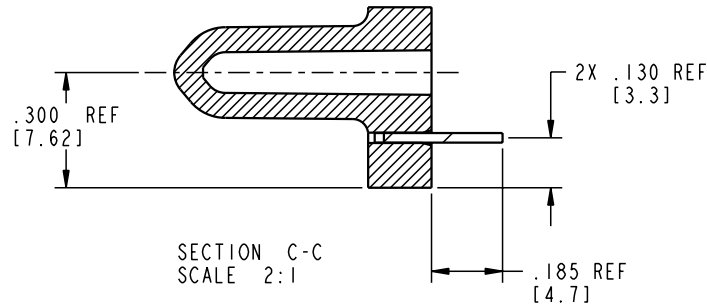
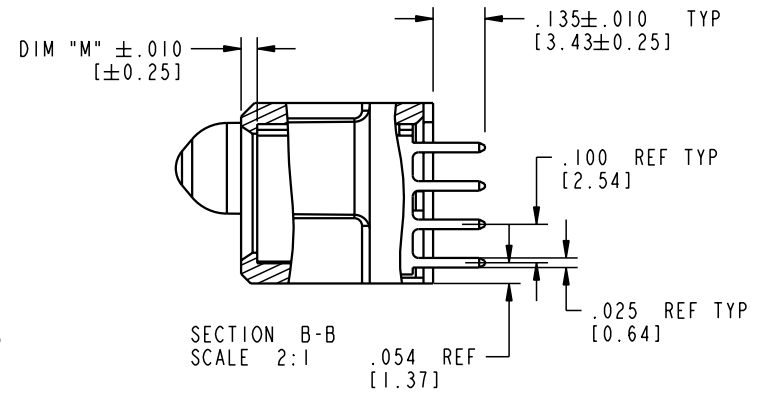
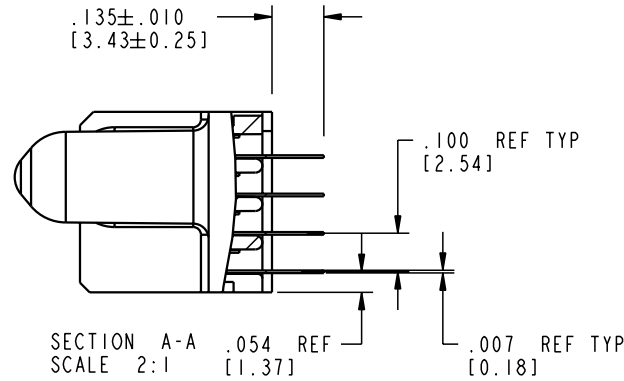
mat'l code				SEE NOTE 2		tolerances unless otherwise specified		CUSTOMER			
ltr	ecn no.	dr	date	linear	.XX±.01/0.X±0.3	projection		COPY		www.fciconnect.com	
A	V21565	TAB	10/01/02	angles	.XXX±.005/0.XX±0.13			title		3P + 16S + 14P	
				dr	T. BRUNGARD 10/01/02	INCH/MM		product family		PwrBlade	
				enr	M. MOSTOLLER 10/01/02	scale		size		213	
				chr	M. MOSTOLLER 10/01/02	1:1		dwg no		51750-037	
				appd	M. MOSTOLLER 10/01/02			sheet		1 of 4	
sheet index	revision sheet	A	A	A	A			cage code		22526	
1	2	3	4								


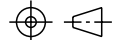
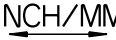

Pro/E 3 cage code 22526 4

Tous droits strictement réservés. Reproduction ou communication a des tiers interdite sous quelque forme que ce soit sans autorisation écrite du propriétaire. Propriété de c FCI. Droits de reproduction FCI.

All rights strictly reserved. Reproduction or issue to third parties in any form whatever is not permitted without written authority from the proprietor. Property of FCI. Copyright FCI.

PRODUCT NUMBER
51750-037



mat'l code				SEE NOTE 2		tolerances unless otherwise specified		CUSTOMER		 www.fciconnect.com	
ltr	ecn no.	dr	date	linear	.XX±.01/0.X±0.3	projection		COPY		title	
A				angles	.XXX±.005/0.XX±0.13					3P + 16S + 14P	
				dr	.XXX±.0020/0.XXX±0.051					VERTICAL SOLDER RECEIPT	
				enr	° ± °			product family		code	
				chr	T. BRUNGARD 10/01/02	scale		PwrBlade		213	
				appd	M. MOSTOLLER 10/01/02	1:1		size		sheet	
					M. MOSTOLLER 10/01/02			A		2 of 4	
sheet index		revision sheet									

Pro/E

cage code 22526

PDM: Rev:A

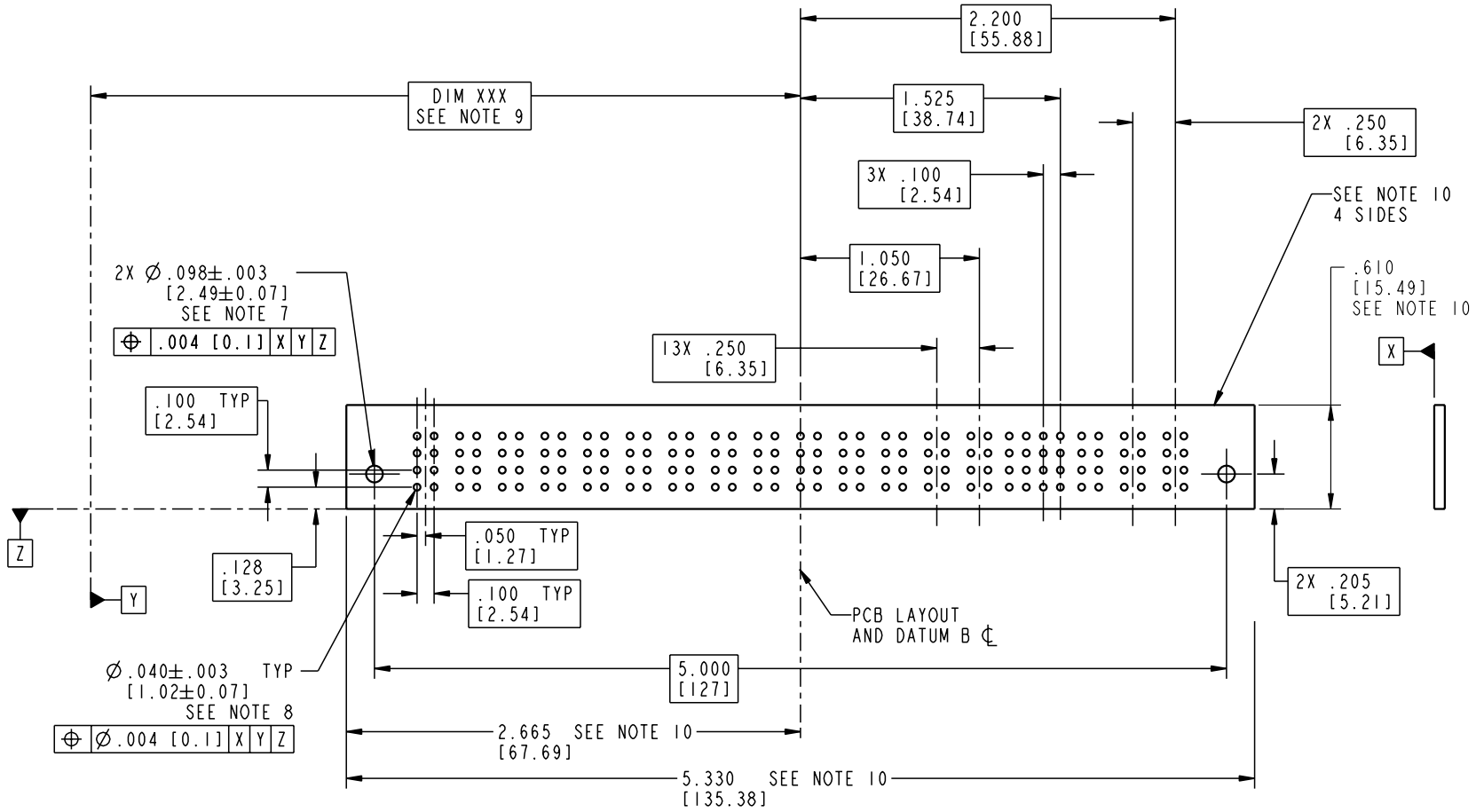
STATUS: Released

Printed: Dec 20, 2010

Tous droits strictement réservés. Reproduction ou communication o des tiers interdite sous quelque forme que ce soit sans autorisation écrite du propriétaire. Propriété de c FCI. Droits de reproduction FCI.

All rights strictly reserved. Reproduction or issue to third parties in any form whatever is not permitted without written authority from the proprietor. Property of FCI. Copyright FCI.

PRODUCT NUMBER
51750-037



mat'l code				SEE NOTE 2		tolerances unless otherwise specified		CUSTOMER		 www.fciconnect.com	
ltr	ecn no.	dr	date	linear	.XX ± .01 / 0.X ± 0.3	projection	COPY		title		
A				angles	.XXX ± .005 / 0.XX ± 0.13		3P + 16S + 14P		VERTICAL SOLDER RECEIPT		
				dr	.XXX ± .0020 / 0.XX ± 0.051	INCH/MM	product family		PwrBlade		code
				enr	T. BRUNGARD 10/01/02	scale	size		dwg no		213
				chr	M. MOSTOLLER 10/01/02	1:1	A		51750-037		sheet
				appd	M. MOSTOLLER 10/01/02						3 of 4
sheet index	revision sheet										

Pro/E

cage code 22526

Tous droits strictement réservés. Reproduction ou communication o des tiers interdite sous quelque forme que ce soit sans autorisation écrite du propriétaire. Propriété de c FCI. Droits de reproduction FCI.



All rights strictly reserved. Reproduction or issue to third parties in any form, whenever is not permitted without written authority from the proprietor. Property of FCI. Copyright FCI.

PRODUCT NUMBER
51750-037

NOTES:

1. DIMENSIONS AND TOLERANCES ARE IN ACCORDANCE WITH ASME Y14.5M, 1994 UNLESS OTHERWISE SPECIFIED.

CONNECTOR NOTES:

- 2 HOUSING MATERIAL: UL 94 V-0 GLASS FILLED
HIGH-TEMP THERMOPLASTIC
POWER CONTACT MATERIAL: COPPER ALLOY
SIGNAL PIN MATERIAL: COPPER ALLOY
- 3. PLATING:
SIGNAL PINS: 30u"/0.76um Au OVER 50u"/1.27um Ni
POWER CONTACTS: 50u"/1.27um Ni UNDER ALL
WITH 30u"/0.76um Au ON CONTACT AREA
AND SnPb ON PCB INTERFACE

4 MANUFACTURER'S NAME, P/N, AND DATE CODE TO APPEAR ON THIS SURFACE.

5. PRODUCT SPECIFICATION GS-12-149.
APPLICATION SPECIFICATION BUS-20-067.

PCB NOTES:

- 6. ALL HOLE DIAMETERS ARE FINISHED HOLE SIZE.
- 7. MOUNTING HOLES, WHERE APPLICABLE, ARE UNPLATED.
- 8 $\varnothing .0453 \pm .0010$ [1.151 \pm 0.025] DRILLED HOLES PLATED WITH
.0003 [0.008] MIN SnPb OVER .001 [0.03]
TO .003 [0.08] Cu PLATING TO ACHIEVE
 $\varnothing .040 \pm .003$ [1.02 \pm .07] HOLE.
- 9 "DIM XXX" TO BE DETERMINED BY THE CUSTOMER.
- 10 CONNECTOR KEEP-OUT ZONE.

mat'l code				SEE NOTE 2		tolerances unless otherwise specified		CUSTOMER		 www.fciconnect.com	
ltr	ecm no.	dr	date	linear	.XX±.01/0.X±0.3		COPY		 title 3P + 16S + 14P VERTICAL SOLDER RECEPT		
A					.XXX±.005/0.XX±0.13		projection				
				angles	.XXXX±.0020/0.XXX±0.051		 INCH/MM		product family PwrBlade code 213		
				dr	T. BRUNGARD	10/01/02	scale		size A 51750-037 sheet 4 of 4		
				enr	M. MOSTOLLER	10/01/02	1:1				
				chr	M. MOSTOLLER	10/01/02					
				appd	M. MOSTOLLER	10/01/02					
sheet index	revision sheet										

1 | 2

Pro/E

3 |

cage code 22526

4