

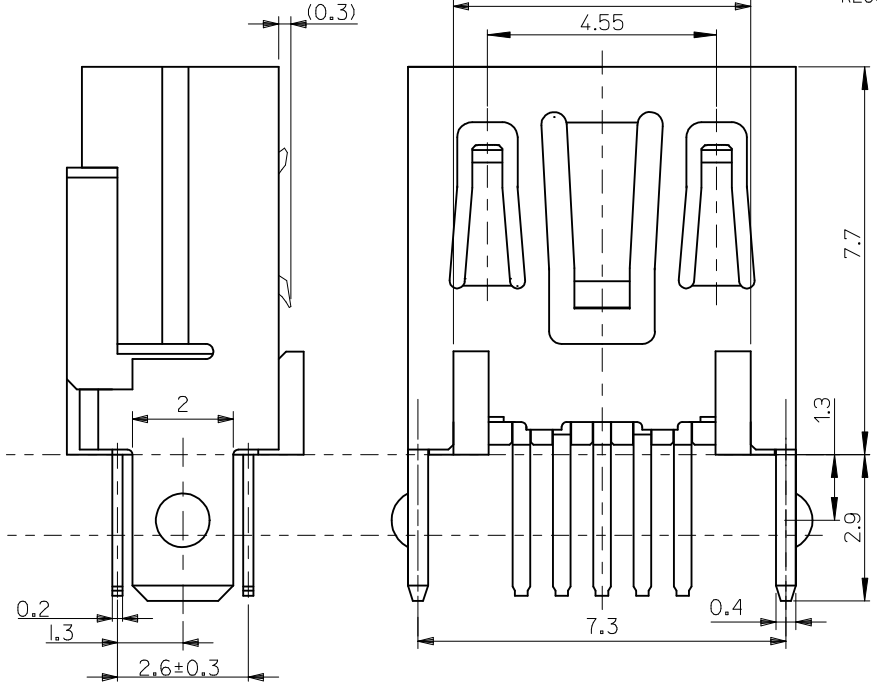
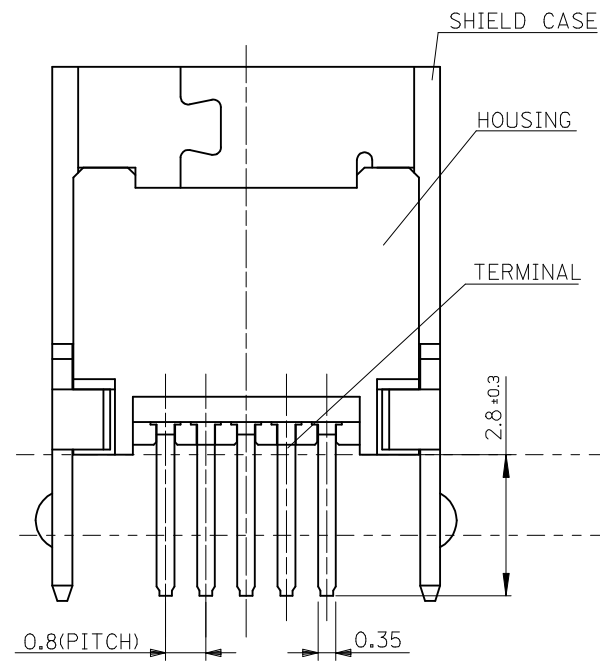
DEATAIL FRONTAGE

コネクタ実装側 (CONNECTOR MOUNT SIDE)

推奨基板寸法

逆側 (REVERSE SIDE)

RECOMMENDED P.C.B. PATTERN LAYOUT (SCALE 5:1)

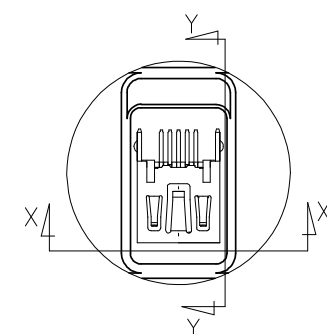
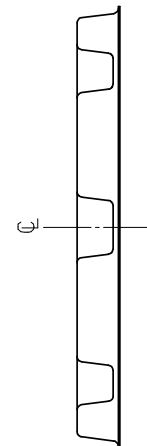
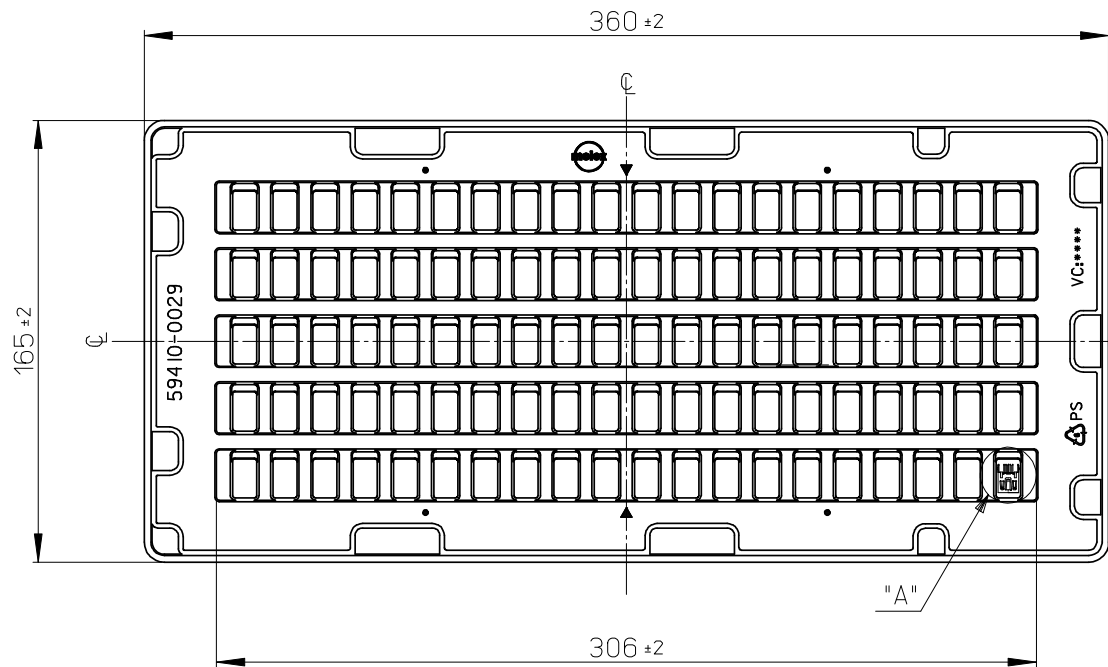


注記 NOTES

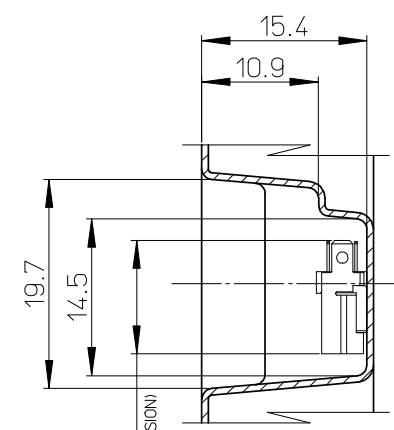
- 材質 MATERIAL
 ハウジング: ポリアミド, 黒色, UL94V-0
 HOUSING: POLYAMIDE, BLACK, UL94V-0
 ターミナル: 銅合金 (t=0.2)
 TERMINAL: COPPER ALLOY (t=0.2)
 シールド ケース: 銅合金 (t=0.4)
 SHIELD CASE: COPPER ALLOY (t=0.4)
- メッキ仕様 PLATING
 ターミナル TERMINAL
 接点部: 金メッキ CONTACT AREA: GOLD
 半田付け部: 錫メッキ SOLDER TAIL AREA: TIN
 下地部: ニッケルメッキ UNDER PLATING: NICKEL
 シールド ケース SHIELD CASE
 錫メッキ TIN
 下地部: ニッケルメッキ UNDER PLATING: NICKEL

502237-0517
 TRAY PKG.
 ORDER No./オーダー番号

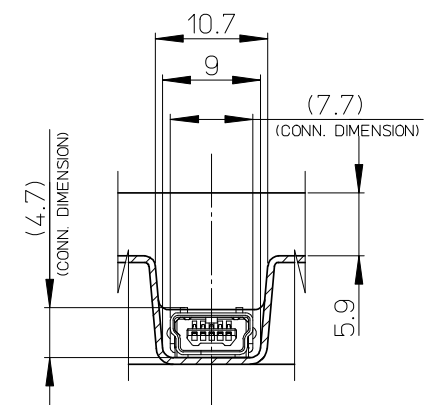
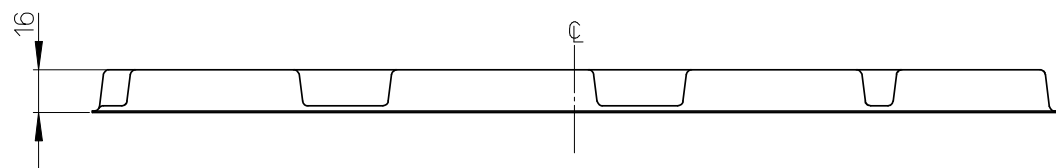
REVISED EC NO: J2009-2284 DRW: NESATO 2009/06/29 CHKD: MATSUMOTO 2009/06/30 APPR: NUKITA 2009/06/30	GENERAL TOLERANCES (UNLESS SPECIFIED)		DIMENSION STYLE MM ONLY	SCALE 10:1	DESIGN UNITS METRIC	THIRD ANGLE PROJECTION
	10 UNDER	±0.2	DRAWN BY MTANAKA	DATE 06/03/29	TITLE USB SERIES MINI-B STRAIGHT REC. ASSY -LEAD FREE-	
	10 OVER 30 UNDER	±0.25	CHECKED BY NUKITA	DATE 06/03/29	MOLEX INCORPORATED	
	30 OVER	±0.3	APPROVED BY NUKITA	DATE 06/03/29	DOCUMENT NO. SD-502237-001	SHEET NO. 1 OF 1
DESCRIPTION ANGULAR ±3 ° DRAFT WHERE APPLICABLE MUST REMAIN WITHIN DIMENSIONS	MATERIAL NO. SEE SHEET		THIS DRAWING CONTAINS INFORMATION THAT IS PROPRIETARY TO MOLEX INCORPORATED AND SHOULD NOT BE USED WITHOUT WRITTEN PERMISSION			



DETAIL A
(SCALE 2:1)



SECT. Y-Y
(SCALE 2:1)



SECT. X-X
(SCALE 2:1)

502237-1517
502237-0517
適用製品番号 APPLICABLE PART No.

- 注記
- 一般交差: ±0.5
GENERAL TOLERANCES: ±0.5
 - 各部の反りは2.0MAX.
WARP: 2.0MAX.
 - 梱包数: 100個
PACKAGING QUANTITY: 100PCS.

RELEASED EC NO: J2008-3626 DRWN: YOKUZONO CHKD: HARUYAMA APPR: NUKITA	DESCRIPTION	GENERAL TOLERANCES (UNLESS SPECIFIED)	DIMENSION STYLE MM ONLY	SCALE 1:2	DESIGN UNITS METRIC	THIRD ANGLE PROJECTION
	REV	10 UNDER ±---	DRAWN BY Y. TOKUZONO	DATE 2008/4/14	TITLE TRAY FOR 502237 (USB SERIES MINI-B REC. HS'G ASS'Y S/T)	
	0	10 OVER 30 UNDER ±---	CHECKED BY T. HARUYAMA	DATE 2008/4/14		
		30 OVER ±---	ANGULAR ±--- °	APPROVED BY N. UKITA	DATE 2008/4/14	
		DRAFT WHERE APPLICABLE MUST REMAIN WITHIN DIMENSIONS	MATERIAL NO. 594100029	DOCUMENT NO. SD-502237-002	SHEET NO. 1 OF 1	

DRAWN BY Y. TOKUZONO		DATE 2008/4/14	TITLE TRAY FOR 502237 (USB SERIES MINI-B REC. HS'G ASS'Y S/T)
CHECKED BY T. HARUYAMA		DATE 2008/4/14	
APPROVED BY N. UKITA		DATE 2008/4/14	MATERIAL NO. 594100029
MATERIAL NO. 594100029		DOCUMENT NO. SD-502237-002	
SIZE A3		THIS DRAWING CONTAINS INFORMATION THAT IS PROPRIETARY TO MOLEX INCORPORATED AND SHOULD NOT BE USED WITHOUT WRITTEN PERMISSION	