

**Technical specification :**

Rated voltage:	60 V
Current rating:	4 A at 40°C
IEC 60512-5-2 5b	
Insulation resistance:	≥100 MΩ
IEC 60512	
Pollution degree:	3/2
IEC 60664-1	
Degree of protection:	IP 67, in mated condition
IEC 60529	
Temperature range:	-25°C ... +80°C
IEC 60664-1	
Mating cycles:	≥100
IEC 60512-9a	

**Materials male connector M12x1:**

Contact:	CuZn
Contact plating:	Nickel, gold plated
Contact carrier:	TPU GF, UL 94
Coupling screw:	GD-Zn, nickel plated
Moulding body:	TPU, UL 94, grey

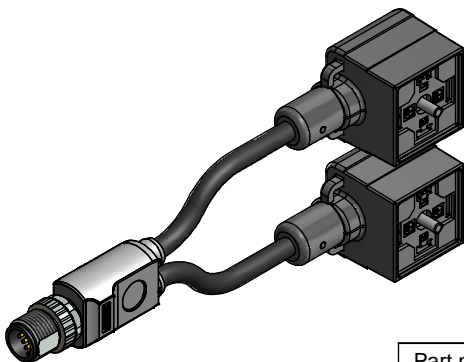
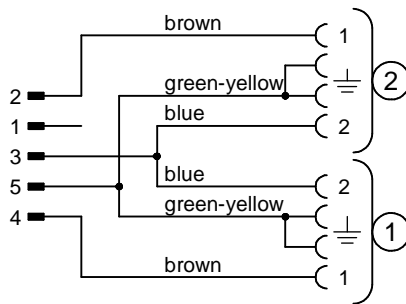
**Materials valve plug:**

Contact:	CuZn
Contact plating:	Nickel, stannous plated
Contact carrier:	PA GF, UL 94
Moulding body:	TPU, UL 94, transparent

**Installation specification:**

Recommended torque:	0,6 Nm
Conec installation tool:	Torque wrench: 36-000200 Insert across flats 13: 36-000220

**Contact assignment:**



Part no:	Description:	Length L:	Cable:
43-12542	SAL - 12 - DS5.55 - A - V2PEG-0-124 - 0,3 / 0,3 / K1 / 075	0,3m	TPE, UL 20549, black, 3x0,75mm <sup>2</sup> Cable: 781-K17300
43-12543	SAL - 12 - DS5.55 - A - V2PEG-0-124 - 0,6 / 0,6 / K1 / 075	0,6m	
43-12544	SAL - 12 - DS5.55 - A - V2PEG-0-124 - 1,5 / 1,5 / K1 / 075	1,5m	
43-12545	SAL - 12 - DS5.55 - A - V2PEG-0-124 - 3 / 3 / K1 / 075	3,0m	
43-xxxxx	SAL - 12 - DS5.55 - A - V2PEG-0-124 - ... / ... / K1 / 075	x	

D see data sheet cable

DO NOT ALTER CAD DRAWING BY HAND Directive 2002/95/EC RoHS compliant	Index: b 17.08.11 VF Ä3767 Coupling screw modified, spanner flats added, data sheet modified	dim. in mm	<b>title:</b> Duo-distributor, male connector M12x1 axial - 2x valve plug type A, ground jumpered, protective circuit <b>dwg no:</b> 43K1A792 <b>part no:</b> see table		
				date	name
	tolerance of cable: L ≤ 4m: L + 40mm L > 4m: L + 1%	drawn		23.10.08	Mankopf
	general tolerance: 0 ± 0,50mm 0,0 ± 0,25mm 0,00 ± 0,10mm	appd.		23.10.08	Fromm
	THIS DRAWING MAY NOT BE COPIED OR REPRODUCED IN ANY WAY, AND MAY NOT BE PASSED ON TO A THIRD PARTY WITHOUT WRITTEN PERMISSION. OWNERSHIP AND COPYRIGHT OF CONEC GmbH	<b>CONEC</b> ®			