

## DETAILS

<b>Product Number</b>	C12286_ANGIE-M
<b>Family</b>	Angie
<b>Type</b>	Lens array
<b>Color</b>	clear
<b>Diameter</b>	34 mm
<b>Height</b>	10,7 mm
<b>Style</b>	round
<b>Optic Material</b>	PMMA
<b>Holder Material</b>	
<b>Fastening</b>	pin, glue
<b>Status</b>	ready
<b>ROHS Compliant</b>	Yes
<b>Date Updated</b>	10/12/2014



## OPTICAL PROPERTIES

LED	Viewing	Light	Effi-		Connector
	Angle	Beam	ciency	cd/lm	
LUXEON H50-2	sim: 22	Medium	sim: 92 %	sim: 5.500	-
XP-L	sim: 25	Medium	sim: 89 %	sim: 3.600	-
Z5M1/Z5M2	sim: 20	Medium	sim: 92 %	sim: 6.950	-
Oslon SSL 150	16 deg	Medium	91 %	6.900	-
Oslon SSL 80	16 deg	Medium	87 %	6.300	-
Oslon Square EC	22 deg	Medium	88 %	4.500	-
LUXEON T	22 deg	Medium	90 %	4.400	-
LUXEON TX	22 deg	Medium	89 %	4.800	-
XP-E	23 deg	Medium	86 %	3.000	-
XP-G	24 deg	Medium	88 %	4.620	-

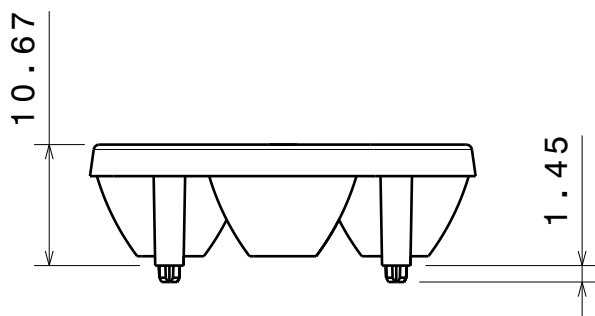
D

C

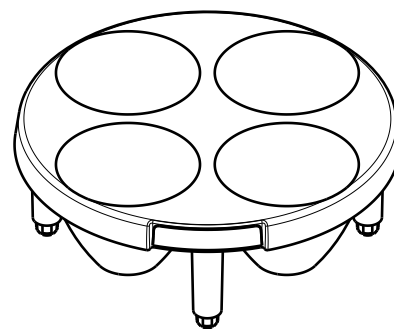
B

A

4



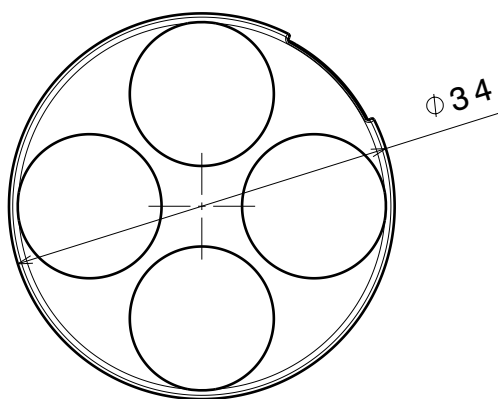
Front view



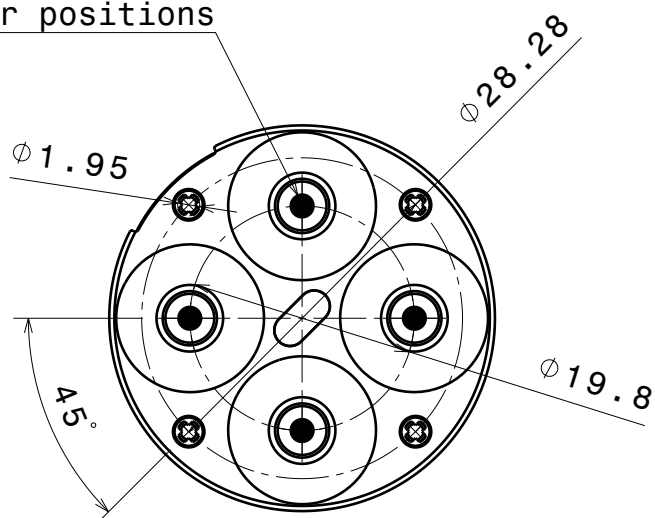
Isometric view

3

LED center positions



Top view



Bottom view

2

2

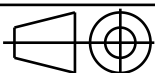
INDEX	PART NO	DESCRIPTION	MATERIAL	COLOUR
1	C12285	ANGIE-S	PMMA	
1	C12286	ANGIE-M	PMMA	
1	C12288	ANGIE-W	PMMA	

Tolerances if not otherwise shown  
According to DIN ISO 2768-1  
Linear measures:  
up to 30mm class M, otherwise class C  
According to DIN ISO 2768-2  
Form and position: class L

LEDiL

Ledil Oy  
Salorankatu 10  
FIN 24240 SALO  
Finland

THIRD ANGLE PROJECTION:



DRAWING TITLE

ANGIE family datasheet

This drawing is the property  
of LEDiL Oy. It may not be  
reproduced, copied or  
communicated without a written  
agreement with LEDiL Oy.

SIZE PART NUMBER

A4

C12285/C12286/C12288

SCALE 3:2 WEIGHT -

SHEET 1/1

D

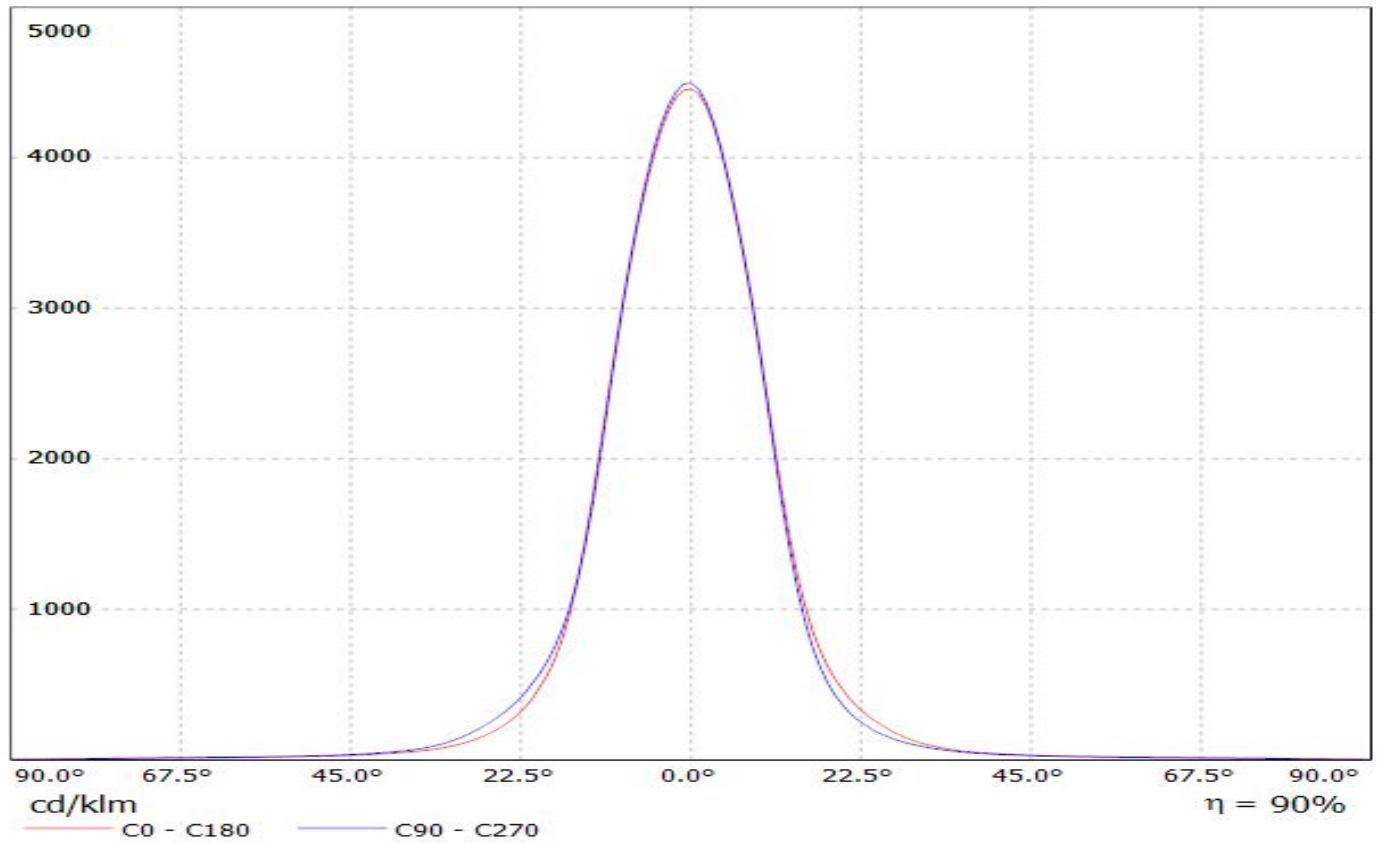
A

1

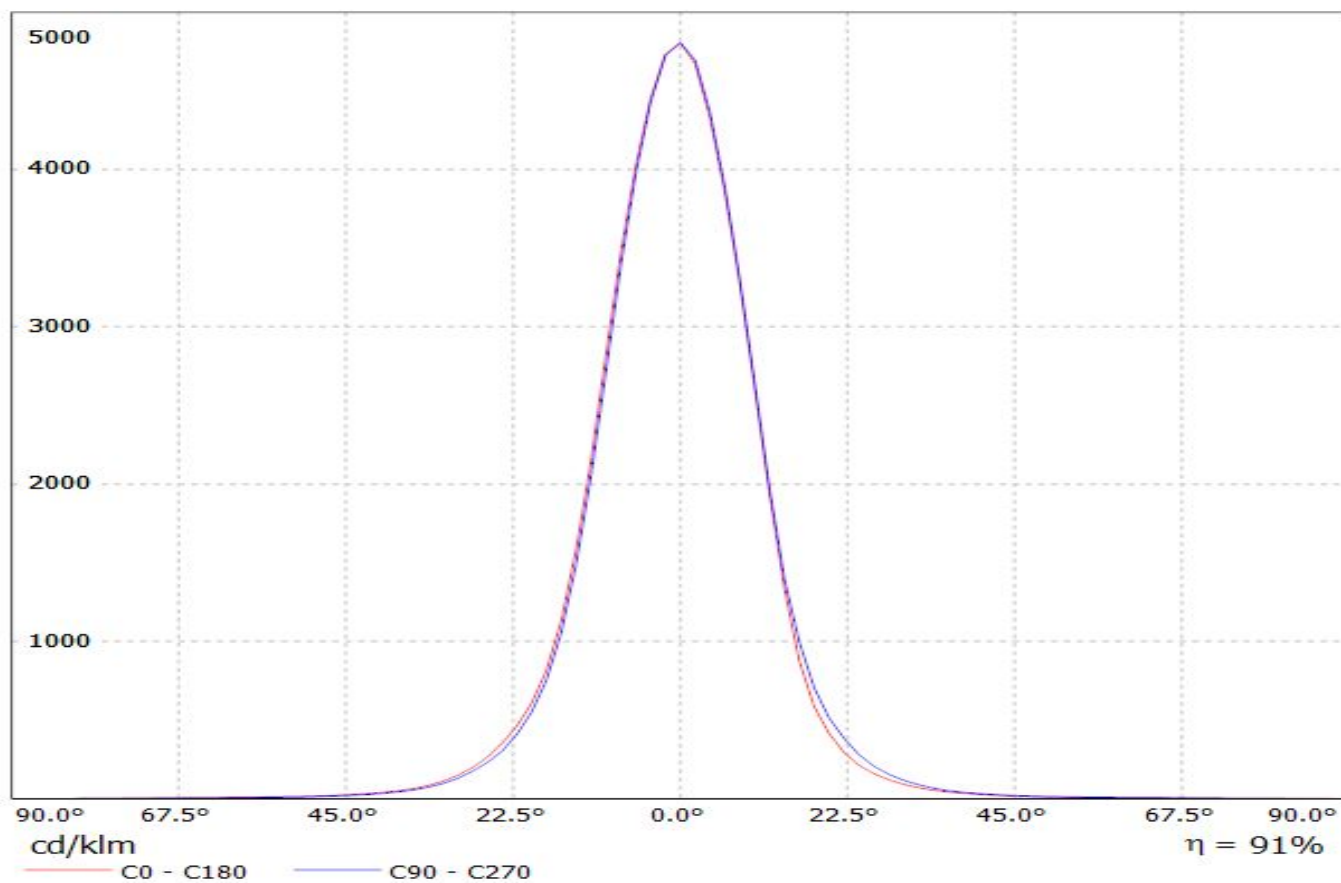
1

# LEDiL Oy C12286\_ANGIE-M\_(LUXEON\_T)\_2 Eff.90.2% / LDC (Linear)

Luminaire: LEDiL Oy C12286\_ANGIE-M\_(LUXEON\_T)\_2 Eff.90.2%  
Lamps: 1 x LUXEON\_T (292lm@250mA)



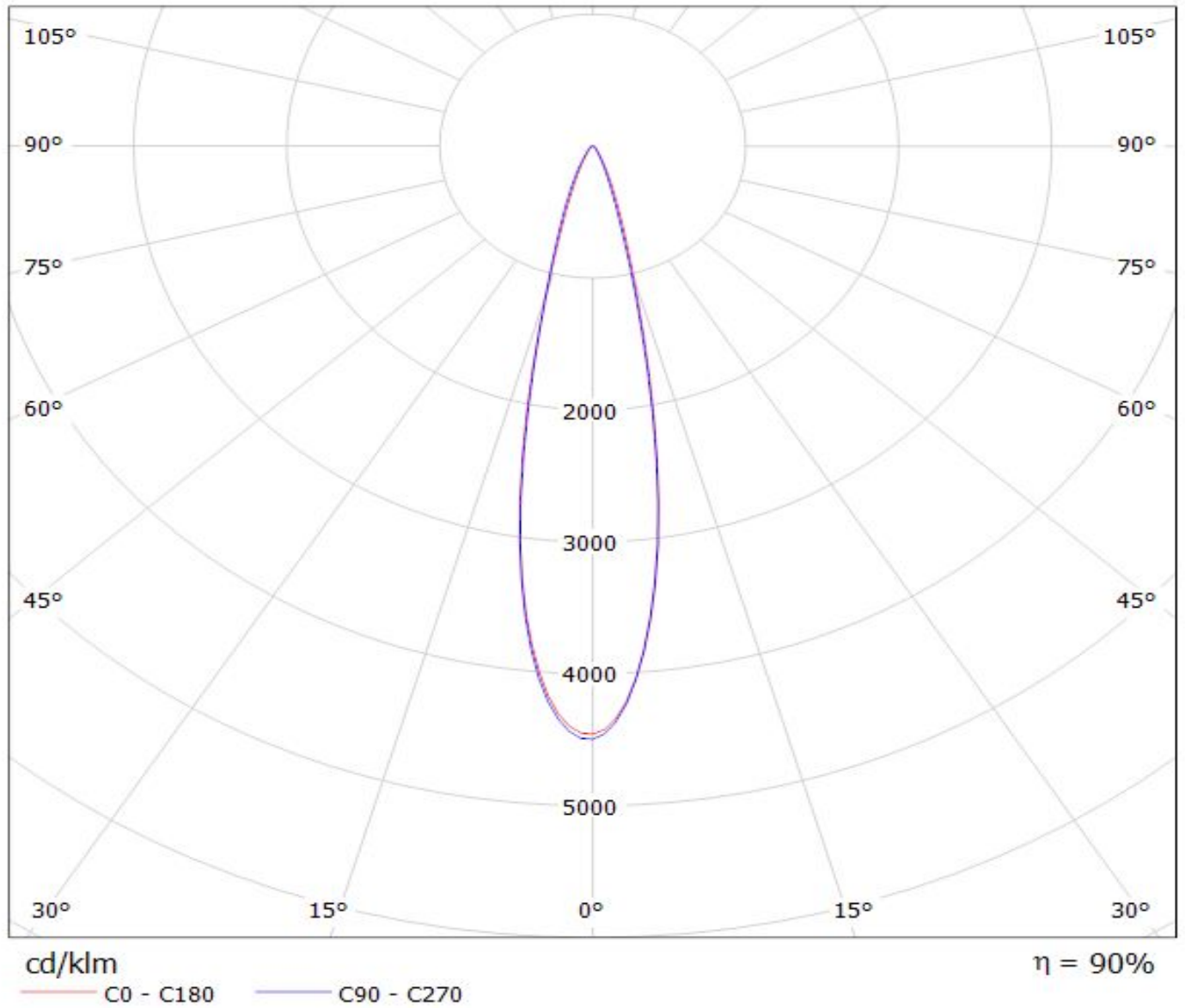
Luminaire: Ledil Oy C12286\_ANGIE-M\_(LUXEON\_TX)  
Lamps: 1 x Luxeon TX 318lm @ 250mA CCT= P=2.78W I=250mA



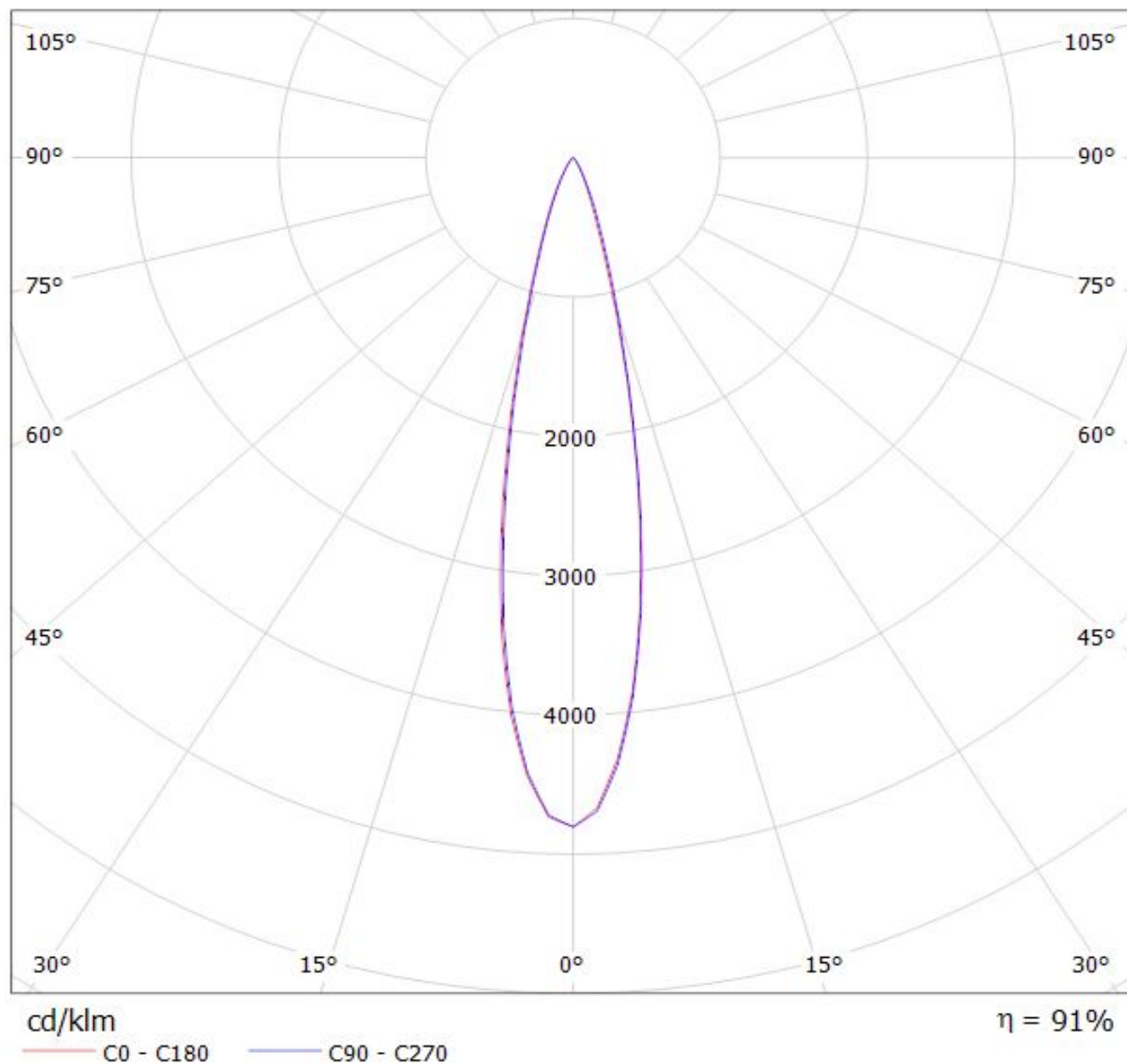
# LEDiL Oy C12286\_ANGIE-M\_(LUXEON\_T)\_2 Eff.90.2% / LDC (Polar)

Luminaire: LEDiL Oy C12286\_ANGIE-M\_(LUXEON\_T)\_2 Eff.90.2%

Lamps: 1 x LUXEON\_T (292lm@250mA)



Luminaire: Ledil Oy C12286\_ANGIE-M\_(LUXEON\_TX)  
Lamps: 1 x Luxeon TX 318lm @ 250mA CCT= P=2.78W I=250mA



**NOTE: The typical divergence will be changed by different color, chip size and chip position tolerance. The typical total divergence is the full angle measured where the luminous intensity is half of the peak value.**