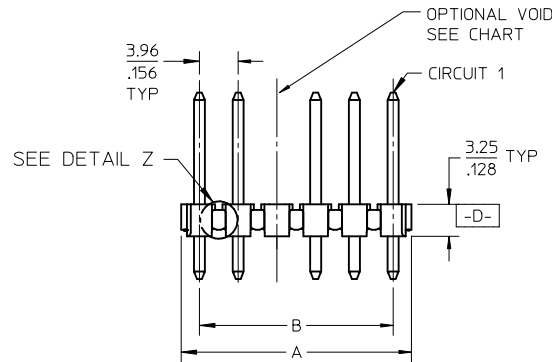
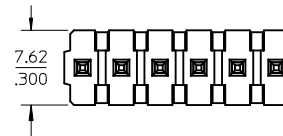


CENTERLINE OF PIN IN AREA SHOWN NOT TO VARY FROM CENTERLINE OF PIN AT DATUM -D- BY MORE THAN 0.13/.005 IN ANY DIRECTION.



B	A	CKT SIZE
3.96/.156	6.78-7.87 / .267-.310	2
7.92/.312	10.74-11.84 / .423-.466	3
11.89/.468	14.71-15.80 / .579-.622	4
15.85/.624	18.67-19.76 / .735-.778	5
19.81/.780	22.63-23.72 / .891-.934	6
23.77/.936	26.59-27.69 / 1.047-1.090	7
27.74/1.092	30.56-31.65 / 1.203-1.246	8
31.70/1.248	34.52-35.61 / 1.359-1.402	9
35.66/1.404	38.48-39.57 / 1.515-1.558	10
39.62/1.560	42.44-43.54 / 1.671-1.714	11
43.59/1.716	46.41-47.50 / 1.827-1.870	12
47.55/1.872	50.37-51.46 / 1.983-2.026	13
51.51/2.028	54.33-55.42 / 2.139-2.182	14
55.47/2.184	58.29-59.39 / 2.295-2.338	15
59.44/2.340	62.26-63.35 / 2.451-2.494	16
63.40/2.496	66.22-67.31 / 2.607-2.650	17
67.36/2.652	70.18-71.27 / 2.763-2.806	18
71.32/2.808	74.14-75.23 / 2.919-2.962	19
75.29/2.964	78.11-79.20 / 3.075-3.118	20
79.25/3.120	82.07-83.16 / 3.231-3.274	21
83.21/3.276	86.03-87.12 / 3.387-3.430	22
87.17/3.432	89.94-91.08 / 3.541-3.586	23
91.14/3.588	93.85-95.00 / 3.695-3.740	24

- NOTES:
- MATERIAL: HEADER: GLASS FILLED POLYESTER, 94V-0, MOLDED BLACK.
 - FINISH:
 - (197) OVERALL REFLOWED MATTE TIN: 0.00152/.000060 MIN OVER 0.00127/.000050 MIN. NICKEL OVERALL.
 - (222) OVERALL MATTE TIN: 0.00254/.000100 MIN OVER 0.00127/.000050 MIN NICKEL
 - (208) SELECT GOLD: 0.00038/.000015 MIN, SELECT TIN: 0.00254/.000100 MIN, OVERALL NICKEL UNDERPLATE: 0.00127/.000050 MIN.
 - (228) SELECT GOLD: 0.00076/.000030 MIN, SELECT TIN: 0.00254/.000100 MIN, OVERALL NICKEL UNDERPLATE: 0.00127/.000050 MIN.
 - (241) SELECT GOLD: 0.00051/.000020 MIN, SELECT TIN: 0.00254/.000100 MIN, OVERALL NICKEL UNDERPLATE: 0.00127/.000050 MIN.
 - THIS PART CONFORMS TO PRODUCT SPEC PS-08-50.
 - PACKAGING: SEE CHARTS.
 - SOLDERABILITY: SEE SMES 152.
 - PARTS ARE STACKABLE END TO END ON 3.96/.156 CENTERS. (SPACING TABS MUST BE REMOVED ON CIRCUIT SIZES 2 THRU 23 BEFORE PARTS ARE STACKABLE.)
 - THIS PART CONFORMS TO CLASS B REQUIREMENTS OF COSMETIC SPECIFICATION PS-45499-002.
 - PIN PUSH-OUT FORCE: PRIOR TO SOLDERING, A 3 LB MINIMUM FORCE (IN EITHER DIRECTION) SHALL BE REQUIRED TO PUSH THE PIN OUT OF THE HEADER.

A-41661- * N * * - *

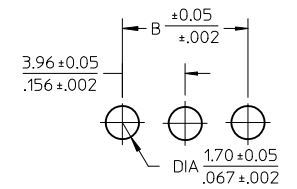
PACKAGING & OPTIONS
B=BRASS-BULK PACKED

NO. OF CKTS.

VOID CODE
BLANK=NO VOIDS
NO=CKT NO. VOIDED
MULT. VOIDS START WITH #51

PLATING CODE

PIN DIMENSIONS



PCB LAYOUT: COMPONENT SIDE
RECOMMENDED PCB THICKNESS:
1.57 ±.18/.062 ±.007

DRAWING FORMAT	SHEETS	REV LEVEL
GENERAL DOCS.	2-*	BE
ANNOTATOR	1	

ADD FINISH 197	DESCRIPTION
EC NO: UCP2012-0114	2011/07/19
DRW:MMSTROH	2011/10/21
CHKD:HKIPPER	2011/10/28
APPR:FSMLTH	
REV	

QUALITY SYMBOLS	GENERAL TOLERANCES (UNLESS SPECIFIED)											
	<table border="1"> <tr><th>mm</th><th>INCH</th></tr> <tr><td>4 PLACES ± --- ± ---</td><td></td></tr> <tr><td>3 PLACES ± --- ± .010</td><td></td></tr> <tr><td>2 PLACES ± 0.25 ± .014</td><td></td></tr> <tr><td>1 PLACE ± 0.36 ± ---</td><td></td></tr> <tr><td colspan="2">ANGULAR ±1/2°</td></tr> </table>	mm	INCH	4 PLACES ± --- ± ---		3 PLACES ± --- ± .010		2 PLACES ± 0.25 ± .014		1 PLACE ± 0.36 ± ---		ANGULAR ±1/2°
mm	INCH											
4 PLACES ± --- ± ---												
3 PLACES ± --- ± .010												
2 PLACES ± 0.25 ± .014												
1 PLACE ± 0.36 ± ---												
ANGULAR ±1/2°												
	DRAFT WHERE APPLICABLE MUST REMAIN WITHIN DIMENSIONS											

DIMENSION STYLE	
MM/IN	
DRAWN BY	DATE
JSCHAFFER	2004/03/04
CHECKED BY	DATE
KSAMIEC	2004/03/04
APPROVED BY	DATE
MARGULIS	2004/03/04
MATERIAL NO.	
SEE CHART	
SIZE	
B	

SCALE	DESIGN UNITS	THIRD ANGLE PROJECTION
2:1	INCH	
TITLE		
KK .156 HEADER ASSEMBLY FLAT BREAKAWAY 2-24 CKTS		
MOLEX INCORPORATED		SHEET NO.
DOCUMENT NO.		1 OF *
SD-41661-001		

PIN NUMBER	43294-0240	PIN NUMBER	CONTINUED	PIN NUMBER	43294-0236	PIN NUMBER	43294-0237				
PIN LENGTH	19.05/.750	PIN LENGTH		PIN LENGTH	19.05/.750	PIN LENGTH	19.05/.750				
PLATING	197	PLATING	FROM	PLATING	208	PLATING	228				
MATING "M"	11.43/.450	MATING "M"		MATING "M"	11.43/.450	MATING "M"	11.43/.450				
PCB "P"	4.37/.172	PCB "P"	LAST	PCB "P"	4.37/.172	PCB "P"	4.37/.172				
GOLD "G"	N/A	GOLD "G"		GOLD "G"	6.86 / .270	GOLD "G"	6.86/.270				
TIN "T"	OVERALL	TIN "T"	COLUMN	TIN "T"	4.06/.160	TIN "T"	4.06/.160				
PACKAGING	PK-41661-001	PACKAGING		PACKAGING	PK-41661-001	PACKAGING	PK-41661-001				
STATUS		STATUS		STATUS		STATUS					
A-41661-BNA197-*			A-41661-BNA197-*			A-41661-BNA208-*			A-41661-BNA228-*		
MATERIAL	ENGINEERING	VOIDS	MATERIAL	ENGINEERING	VOIDS	MATERIAL	ENGINEERING	VOIDS	MATERIAL	ENGINEERING	VOIDS
26-48-1021	-B2A197		26-50-3092	-B9A197-7	7	41661-0001	-B02A208		41661-0024	-B02A228	
26-48-1031	-B3A197		26-50-3201	-B20A197-3	3	41661-0002	-B03A208		41661-0025	-B03A228	
26-48-1041	-B4A197		26-50-3164	-B16A197-52	2, 15	41661-0003	-B04A208		41661-0026	-B04A228	
26-48-1051	-B5A197		41661-2004	-B6A197-4	4	41661-0004	-B05A208		41661-0027	-B05A228	
26-48-1061	-B6A197		41661-2005	-B4A197-51	2,3	41661-0005	-B06A208		41661-0028	-B06A228	
26-48-1071	-B7A197		41661-2006	-B5A197-3	3	41661-0006	-B07A208		41661-0029	-B07A228	
26-48-1081	-B8A197		26-50-3039	-B3A197-2	2	41661-0007	-B08A208		41661-0030	-B08A228	
26-48-1091	-B9A197		26-50-3049	-B4A197-2	2	41661-0008	-B09A208		41661-0031	-B09A228	
26-48-1101	-B10A197		26-50-3059	-B5A197-2	2	41661-0009	-B10A208		41661-0032	-B10A228	
26-48-1111	-B11A197		26-50-3069	-B6A197-2	2	41661-0010	-B11A208		41661-0033	-B11A228	
26-48-1121	-B12A197		26-50-3074	-B7A197-2	2	41661-0011	-B12A208		41661-0034	-B12A228	
26-48-1131	-B13A197		26-50-3089	-B8A197-2	2	41661-0012	-B13A208		41661-0035	-B13A228	
26-48-1141	-B14A197		26-50-3099	-B9A197-2	2	41661-0013	-B14A208		41661-0036	-B14A228	
26-48-1151	-B15A197		26-50-3104	-B10A197-2	2	41661-0014	-B15A208		41661-0037	-B15A228	
26-48-1161	-B16A197		26-50-3119	-B11A197-2	2	41661-0015	-B16A208		41661-0038	-B16A228	
26-48-1171	-B17A197		26-50-3129	-B12A197-2	2	41661-0016	-B17A208		41661-0039	-B17A228	
26-48-1181	-B18A197		26-50-3139	-B13A197-2	2	41661-0017	-B18A208		41661-0040	-B18A228	
26-48-1191	-B19A197		26-50-3149	-B14A197-2	2	41661-0018	-B19A208		41661-0041	-B19A228	
26-48-1201	-B20A197		26-50-3159	-B15A197-2	2	41661-0019	-B20A208		41661-0042	-B20A228	
26-48-1211	-B21A197		26-50-3169	-B16A197-2	2	41661-0020	-B21A208		41661-0043	-B21A228	
26-48-1221	-B22A197		26-50-3179	-B17A197-2	2	41661-0021	-B22A208		41661-0044	-B22A228	
26-48-1231	-B23A197		26-50-3189	-B18A197-2	2	41661-0022	-B23A208		41661-0045	-B23A228	
26-48-1241	-B24A197		26-50-3199	-B19A197-2	2	41661-0023	-B24A208		41661-0046	-B24A228	
26-48-1178	-B17A197-3	3	26-50-3209	-B20A197-2	2						
26-48-1138	-B13A197-3	3	50-29-1687	-B07A197-4	4						
26-50-3105	-B10A197-4	4	50-29-1612	-B15A197-7	7						

REV: BE	ECR/ECN INFORMATION: EC No.: UCP2012-0114 DATE: 10/31/2011	TITLE: KK 156 HEADER ASSEMBLY FLAT BREAKAWAY 2-24 CKTS	SHEET No. - 2 -
DOCUMENT NUMBER: SD- 41661 -001		CREATED / REVISED BY: MMSTROH	CHECKED BY: MKIPPER
		APPROVED BY: FSMITH	

PIN NUMBER 43294-0364			PIN NUMBER 43294-0419			PIN NUMBER 43294-0474			PIN NUMBER 43294-0661		
PIN LENGTH 22.61/.890			PIN LENGTH 23.88/.940			PIN LENGTH 25.40/1.000			PIN LENGTH 30.48/1.200		
PLATING 197			PLATING 197			PLATING 241			PLATING 197		
MATING "M" 14.99/.590			MATING "M" 16.26/.640			MATING "M" 18.26/.719			MATING "M" 24.21/.953		
PCB "P" 4.37/.172			PCB "P" 4.37/.172			PCB "P" 3.89/.153			PCB "P" 3.02/.119		
GOLD "G" N/A			GOLD "G" N/A			GOLD "G" 7.11/.280			GOLD "G" N/A		
TIN "T" OVERALL			TIN "T" OVERALL			TIN "T" 4.06/.160			TIN "T" OVERALL		
PACKAGING PK-41661-001			PACKAGING PK-41661-001			PACKAGING PK-41661-001			PACKAGING PK-41661-001		
STATUS			STATUS			STATUS			STATUS		
A-41661-BNAE197-*			A-41661-BNC197-*			A-41661-BND241-*			A-41661-BNE197-*		
MATERIAL	ENGINEERING	VOIDS	MATERIAL	ENGINEERING	VOIDS	MATERIAL	ENGINEERING	VOIDS	MATERIAL	ENGINEERING	VOIDS
26-48-1020	-B2AE197		26-48-7021	-B2C197		26-48-5023	-B2D241		26-58-4020	-B2E197	
26-48-1030	-B3AE197		26-48-7031	-B3C197		41661-0093	-B3D241		26-58-4030	-B3E197	
26-48-1040	-B4AE197		26-48-7041	-B4C197		41661-0094	-B4D241		26-58-4040	-B4E197	
26-48-1050	-B5AE197		26-48-7051	-B5C197		41661-0095	-B5D241		26-58-4050	-B5E197	
26-48-1060	-B6AE197		26-48-7061	-B6C197		41661-0096	-B6D241		26-58-4060	-B6E197	
26-48-1070	-B7AE197		26-48-7071	-B7C197		41661-0097	-B7D241		26-58-4070	-B7E197	
26-48-1080	-B8AE197		26-48-7081	-B8C197		26-48-5083	-B8D241		26-58-4080	-B8E197	
26-48-1090	-B9AE197		26-48-7091	-B9C197		41661-0098	-B9D241		26-58-4090	-B9E197	
26-48-1100	-B10AE197		26-48-7101	-B10C197		41661-0099	-B10D241		26-58-4100	-B10E197	
26-48-1110	-B11AE197		26-48-7111	-B11C197		41661-0100	-B11D241		26-58-4110	-B11E197	
26-48-1120	-B12AE197		26-48-7121	-B12C197		26-48-5123	-B12D241		26-58-4120	-B12E197	
26-48-1130	-B13AE197		26-48-7131	-B13C197		41661-0101	-B13D241		26-58-4130	-B13E197	
26-48-1140	-B14AE197		26-48-7141	-B14C197		41661-0102	-B14D241		26-58-4140	-B14E197	
26-48-1150	-B15AE197		26-48-7151	-B15C197		41661-0103	-B15D241		26-58-4150	-B15E197	
26-48-1160	-B16AE197		26-48-7161	-B16C197		41661-0104	-B16D241		26-58-4160	-B16E197	
26-48-1170	-B17AE197		26-48-7171	-B17C197		41661-0105	-B17D241		26-58-4170	-B17E197	
26-48-1180	-B18AE197		26-48-7181	-B18C197		41661-0106	-B18D241		26-58-4180	-B18E197	
26-48-1190	-B19AE197		26-48-7191	-B19C197		41661-0107	-B19D241		26-58-4190	-B19E197	
26-48-1200	-B20AE197		26-48-7201	-B20C197		41661-0108	-B20D241		26-58-4200	-B20E197	
26-48-1210	-B21AE197		26-48-7211	-B21C197		41661-0109	-B21D241		26-58-4210	-B21E197	
26-48-1220	-B22AE197		26-48-7221	-B22C197		41661-0110	-B22D241		26-58-4220	-B22E197	
26-48-1230	-B23AE197		26-48-7231	-B23C197		41661-0111	-B23D241		26-58-4230	-B23E197	
26-48-1240	-B24AE197		26-48-7241	-B24C197		41661-0112	-B24D241		26-58-4240	-B24E197	

REV: BE	ECR/ECN INFORMATION: EC No.: UCP2012-0114 DATE: 10/31/2011	TITLE: KK 156 HEADER ASSEMBLY FLAT BREAKAWAY 2-24 CKTS	SHEET No. - 3 -
DOCUMENT NUMBER: SD- 41661 -001		CREATED / REVISED BY: MMSTROH	CHECKED BY: MKIPPER
		APPROVED BY: FSMITH	

PIN NUMBER	43294-0598	PIN NUMBER	43294-0662	PIN NUMBER	43294-0913	PIN NUMBER	43294-1003				
PIN LENGTH	28.70/1.130	PIN LENGTH	30.48/1.200	PIN LENGTH	37.34/1.470	PIN LENGTH	39.62/1.560				
PLATING	197	PLATING	241	PLATING	197	PLATING	197				
MATING "M"	21.08/ .830	MATING "M"	24.21/.953	MATING "M"	14.02/.552	MATING "M"	33.35/1.313				
PCB "P"	4.37/.172	PCB "P"	3.02/.119	PCB "P"	20.07/.790	PCB "P"	3.10/.122				
GOLD "G"	N/A	GOLD "G"	6.85/ .270	GOLD "G"	N/A	GOLD "G"	N/A				
TIN "T"	OVERALL	TIN "T"	5.08/ .200	TIN "T"	OVERALL	TIN "T"	OVERALL				
PACKAGING	PK-41661-001	PACKAGING	PK-41661-001	PACKAGING	PK-41661-001	PACKAGING	PK-41661-001				
STATUS		STATUS		STATUS		STATUS					
A-41661-BNF197-*			A-41661-BNE241-*			A-41661-BNH197-*			A-41661-BNL197-*		
MATERIAL	ENGINEERING	VOIDS	MATERIAL	ENGINEERING	VOIDS	MATERIAL	ENGINEERING	VOIDS	MATERIAL	ENGINEERING	VOIDS
26-48-4021	-B2F197		41661-0127	-B2E241		41661-0146	-B2H197		26-48-9021	-B2L197	
26-48-4031	-B3F197		41661-0128	-B3E241		41661-0147	-B3H197		26-48-9031	-B3L197	
26-48-4041	-B4F197		41661-0129	-B4E241		41661-0148	-B4H197		41661-0167	-B4L197	
41661-0113	-B5F197		41661-0130	-B5E241		41661-0149	-B5H197		26-48-9051	-B5L197	
26-48-4061	-B6F197		41661-0131	-B6E241		26-48-8061	-B6H197		26-48-9061	-B6L197	
41661-0114	-B7F197		41661-0132	-B7E241		41661-0150	-B7H197		26-48-9071	-B7L197	
26-48-4081	-B8F197		26-48-3081	-B8E241		41661-0151	-B8H197		41661-0168	-B8L197	
41661-0115	-B9F197		41661-0133	-B9E241		41661-0152	-B9H197		41661-0169	-B9L197	
26-48-4101	-B10F197		41661-0134	-B10E241		41661-0153	-B10H197		41661-0170	-B10L197	
26-48-4111	-B11F197		41661-0135	-B11E241		41661-0154	-B11H197		41661-0171	-B11L197	
41661-0116	-B12F197		26-48-3121	-B12E241		41661-0155	-B12H197		41661-0172	-B12L197	
41661-0117	-B13F197		26-48-3131	-B13E241		26-48-8131	-B13H197		41661-0173	-B13L197	
41661-0118	-B14F197		41661-0136	-B14E241		41661-0156	-B14H197		41661-0174	-B14L197	
26-48-4151	-B15F197		41661-0137	-B15E241		41661-0157	-B15H197		41661-0175	-B15L197	
41661-0119	-B16F197		41661-0138	-B16E241		41661-0158	-B16H197		41661-0176	-B16L197	
41661-0120	-B17F197		41661-0139	-B17E241		41661-0159	-B17H197		41661-0177	-B17L197	
41661-0121	-B18F197		41661-0140	-B18E241		41661-0160	-B18H197		41661-0178	-B18L197	
41661-0122	-B19F197		41661-0141	-B19E241		41661-0161	-B19H197		41661-0179	-B19L197	
41661-0123	-B20F197		41661-0142	-B20E241		41661-0162	-B20H197		41661-0180	-B20L197	
41661-0124	-B21F197		41661-0143	-B21E241		41661-0163	-B21H197		41661-0181	-B21L197	
41661-0125	-B22F197		41661-0144	-B22E241		41661-0164	-B22H197		41661-0182	-B22L197	
41661-0126	-B23F197		41661-0145	-B23E241		41661-0165	-B23H197		41661-0183	-B23L197	
26-48-4241	-B24F197		26-48-3241	-B24E241		41661-0166	-B24H197		26-48-9241	-B24L197	

REV: BE	ECR/ECN INFORMATION: EC No.: UCP2012-0114 DATE: 10/31/2011	TITLE: KK 156 HEADER ASSEMBLY FLAT BREAKAWAY 2-24 CKTS	SHEET No. - 4 -
DOCUMENT NUMBER: SD- 41661 -001	CREATED / REVISED BY: MMSTROH	CHECKED BY: MKIPPER	APPROVED BY: FSMITH

PIN NUMBER	43294-0661	PIN NUMBER	43294-1003	PIN NUMBER	43294-0661	PIN NUMBER	43294-0420				
PIN LENGTH	30.48/1.200	PIN LENGTH	39.62/1.560	PIN LENGTH	30.48/1.200	PIN LENGTH	23.88/.940				
PLATING	197	PLATING	197	PLATING	197	PLATING	241				
MATING "M"	22.61/.890	MATING "M"	32.56/1.282	MATING "M"	13.44/.531	MATING "M"	16.26/.640				
PCB "P"	4.62/.182	PCB "P"	3.81/.150	PCB "P"	13.74/.541	PCB "P"	4.37/.172				
GOLD "G"	N/A	GOLD "G"	N/A	GOLD "G"	N/A	GOLD "G"	8.89/.350				
TIN "T"	OVERALL	TIN "T"	OVERALL	TIN "T"	OVERALL	TIN "T"	4.06/.160				
PACKAGING	PK-41661-001	PACKAGING	PK-41661-001	PACKAGING	PK-41661-001	PACKAGING	PK-41661-001				
STATUS		STATUS		STATUS		STATUS					
A-41661-BNM197-*			A-41661-BNN197-*			A-41661-BNR197-*			41661-BNC241-*		
MATERIAL	ENGINEERING	VOIDS	MATERIAL	ENGINEERING	VOIDS	MATERIAL	ENGINEERING	VOIDS	MATERIAL	ENGINEERING	VOIDS
26-58-4022	-B2M197		41661-0200	-B2N197		26-48-4022	-B2R197		41661-0219	-B2C241	
41661-0184	-B3M197		41661-0201	-B3N197		26-48-4032	-B3R197		41661-0220	-B3C241	
26-58-4042	-B4M197		41661-0202	-B4N197		26-48-4042	-B4R197		41661-0221	-B4C241	
26-58-4052	-B5M197		41661-0203	-B5N197		26-48-4052	-B5R197		41661-0222	-B5C241	
41661-0186	-B6M197		26-58-0062	-B6N197		26-48-4062	-B6R197		26-48-5064	-B6C241	
26-58-4072	-B7M197		41661-0204	-B7N197		26-48-4072	-B7R197		41661-0223	-B7C241	
41661-0187	-B8M197		41661-0205	-B8N197		26-48-4082	-B8R197		41661-0224	-B8C241	
26-58-4092	-B9M197		26-58-0092	-B9N197		26-48-4092	-B9R197		41661-0225	-B9C241	
26-58-4102	-B10M197		26-58-0102	-B10N197		26-48-4102	-B10R197		26-48-5104	-B10C241	
41661-0188	-B11M197		41661-0206	-B11N197		26-48-4112	-B11R197		41661-0226	-B11C241	
26-58-4122	-B12M197		41661-0207	-B12N197		26-48-4122	-B12R197		41661-0227	-B12C241	
41661-0189	-B13M197		41661-0208	-B13N197		26-48-4132	-B13R197		41661-0228	-B13C241	
41661-0190	-B14M197		41661-0209	-B14N197		26-48-4142	-B14R197		41661-0229	-B14C241	
26-58-4152	-B15M197		41661-0210	-B15N197		26-48-4152	-B15R197		41661-0230	-B15C241	
26-58-4162	-B16M197		41661-0211	-B16N197		26-48-4162	-B16R197		41661-0231	-B16C241	
41661-0192	-B17M197		41661-0212	-B17N197		26-48-4172	-B17R197		41661-0232	-B17C241	
41661-0193	-B18M197		41661-0213	-B18N197		26-48-4182	-B18R197		41661-0233	-B18C241	
41661-0194	-B19M197		41661-0214	-B19N197		26-48-4192	-B19R197		41661-0234	-B19C241	
41661-0195	-B20M197		41661-0215	-B20N197		26-48-4202	-B20R197		41661-0235	-B20C241	
41661-0196	-B21M197		41661-0216	-B21N197		26-48-4212	-B21R197		41661-0236	-B21C241	
41661-0197	-B22M197		41661-0217	-B22N197		26-48-4222	-B22R197		41661-0237	-B22C241	
41661-0198	-B23M197		41661-0218	-B23N197		26-48-4232	-B23R197		41661-0238	-B23C241	
41661-0199	-B24M197		26-58-0242	-B24N197		26-48-4242	-B24R197		26-48-5244	-B24C241	
						26-50-4055	-B5R197-4	4			

REV: BE	ECR/ECN INFORMATION: EC No.: UCP2012-0114 DATE: 10/31/2011	TITLE: KK 156 HEADER ASSEMBLY FLAT BREAKAWAY 2-24 CKTS	SHEET No. - 5 -
DOCUMENT NUMBER: SD- 41661 -001	CREATED / REVISED BY: MMSTROH	CHECKED BY: MKIPPER	APPROVED BY: FSMITH

PIN NUMBER	43294-0706	PIN NUMBER	43294-0500	PIN NUMBER	43294-0706	PIN NUMBER	43294-0949				
PIN LENGTH	31.75/1.250	PIN LENGTH	26.16/1.030	PIN LENGTH	31.75/1.250	PIN LENGTH	38.10/1.500				
PLATING	197	PLATING	197	PLATING	197	PLATING	197				
MATING "M"	25.70/1.012	MATING "M"	19.43/.765	MATING "M"	18.34/.722	MATING "M"	31.80/1.252				
PCB "P"	2.79/.110	PCB "P"	3.56/.140	PCB "P"	10.16/.400	PCB "P"	3.05/.120				
GOLD "G"	N/A	GOLD "G"	N/A	GOLD "G"	N/A	GOLD "G"	N/A				
TIN "T"	OVERALL	TIN "T"	OVERALL	TIN "T"	OVERALL	TIN "T"	OVERALL				
PACKAGING	PK-41661-001	PACKAGING	PK-41661-001	PACKAGING	PK-41661-001	PACKAGING	PK-41661-001				
STATUS		STATUS		STATUS		STATUS					
A-41661-BNW197-*			A-41661-BNY197-*			A-41661-BNZ197-*			A-41661-BNAA197-*		
MATERIAL	ENGINEERING	VOIDS	MATERIAL	ENGINEERING	VOIDS	MATERIAL	ENGINEERING	VOIDS	MATERIAL	ENGINEERING	VOIDS
41661-0239	-B2W197		41661-0259	-B2Y197		41661-0274	-B2Z197		41661-0294	-B2AA197	
41661-0240	-B3W197		26-58-0030	-B3Y197		41661-0275	-B3Z197		41661-0295	-B3AA197	
26-58-0045	-B4W197		26-58-0040	-B4Y197		41661-0276	-B4Z197		41661-0296	-B4AA197	
41661-0241	-B5W197		41661-0260	-B5Y197		41661-0277	-B5Z197		41661-0297	-B5AA197	
41661-0242	-B6W197		26-58-0060	-B6Y197		26-58-0061	-B6Z197		41661-0298	-B6AA197	
41661-0243	-B7W197		26-58-0070	-B7Y197		41661-0278	-B7Z197		41661-0299	-B7AA197	
41661-0244	-B8W197		41661-0261	-B8Y197		41661-0279	-B8Z197		26-58-0083	-B8AA197	
41661-0245	-B9W197		26-58-0090	-B9Y197		41661-0280	-B9Z197		41661-0300	-B9AA197	
26-58-0105	-B10W197		26-58-0100	-B10Y197		41661-0281	-B10Z197		41661-0301	-B10AA197	
41661-0246	-B11W197		26-58-0110	-B11Y197		41661-0282	-B11Z197		41661-0302	-B11AA197	
41661-0247	-B12W197		41661-0262	-B12Y197		26-58-0121	-B12Z197		41661-0303	-B12AA197	
41661-0248	-B13W197		41661-0263	-B13Y197		41661-0283	-B13Z197		41661-0304	-B13AA197	
41661-0249	-B14W197		41661-0264	-B14Y197		41661-0284	-B14Z197		41661-0305	-B14AA197	
41661-0250	-B15W197		41661-0265	-B15Y197		41661-0285	-B15Z197		41661-0306	-B15AA197	
41661-0251	-B16W197		41661-0266	-B16Y197		41661-0286	-B16Z197		41661-0307	-B16AA197	
41661-0252	-B17W197		41661-0267	-B17Y197		41661-0287	-B17Z197		26-58-0173	-B17AA197	
41661-0253	-B18W197		41661-0268	-B18Y197		41661-0288	-B18Z197		41661-0308	-B18AA197	
41661-0254	-B19W197		41661-0269	-B19Y197		41661-0289	-B19Z197		41661-0309	-B19AA197	
41661-0255	-B20W197		41661-0270	-B20Y197		41661-0290	-B20Z197		41661-0310	-B20AA197	
41661-0256	-B21W197		41661-0271	-B21Y197		41661-0291	-B21Z197		41661-0311	-B21AA197	
41661-0257	-B22W197		41661-0272	-B22Y197		41661-0292	-B22Z197		41661-0312	-B22AA197	
41661-0258	-B23W197		41661-0273	-B23Y197		41661-0293	-B23Z197		41661-0313	-B23AA197	
26-58-0245	-B24W197		26-58-0240	-B24Y197		26-58-0241	-B24Z197		41661-0314	-B24AA197	

REV: BE	ECR/ECN INFORMATION: EC No.: UCP2012-0114 DATE: 10/31/2011	TITLE: KK 156 HEADER ASSEMBLY FLAT BREAKAWAY 2-24 CKTS	SHEET No. - 6 -
DOCUMENT NUMBER: SD- 41661 -001	CREATED / REVISED BY: MMSTROH	CHECKED BY: MKIPPER	APPROVED BY: FSMITH

PIN NUMBER	43294-0301	PIN NUMBER	43294-0303	PIN NUMBER	43294-1174	PIN NUMBER	43294-0596				
PIN LENGTH	20.83/.820	PIN LENGTH	20.83/.820	PIN LENGTH	48.26/1.900	PIN LENGTH	28.70/1.130				
PLATING	197	PLATING	241	PLATING	197	PLATING	241				
MATING "M"	13.21/.520	MATING "M"	12.70/.500	MATING "M"	43.18/1.700	MATING "M"	22.66/.892 REF				
PCB "P"	4.37/.172	PCB "P"	4.37/.172	PCB "P"	1.83/.072	PCB "P"	2.79+-.51/.110+-.020				
GOLD "G"	N/A	GOLD "G"	6.85/.270	GOLD "G"	N/A	GOLD "G"	6.85/.270				
TIN "T"	OVERALL	TIN "T"	6.35/.250	TIN "T"	OVERALL	TIN "T"	5.08/.200				
PACKAGING	PK-41661-001	PACKAGING	PK-41661-001	PACKAGING	PK-41661-001	PACKAGING	PK-41661-001				
STATUS		STATUS		STATUS		STATUS					
A-41661-BNB197-*			A-41661-BNB241-*			A-41661-BNAW197-*			A-41661-BNV241-*		
MATERIAL	ENGINEERING	VOIDS	MATERIAL	ENGINEERING	VOIDS	MATERIAL	ENGINEERING	VOIDS	MATERIAL	ENGINEERING	VOIDS
26-48-6021	-B2B197		26-48-5021	-B2B241		26-58-5024	-B2AW197		41661-0315	-B2V241	
26-48-6031	-B3B197		26-48-5031	-B3B241		26-58-5034	-B3AW197		41661-0316	-B3V241	
26-48-6041	-B4B197		26-48-5041	-B4B241		26-58-5044	-B4AW197		41661-0317	-B4V241	
26-48-6051	-B5B197		26-48-5051	-B5B241		26-58-5054	-B5AW197		41661-0318	-B5V241	
26-48-6061	-B6B197		26-48-5061	-B6B241		26-58-5064	-B6AW197		26-48-5068	-B6V241	
26-48-6071	-B7B197		26-48-5071	-B7B241		26-58-5074	-B7AW197		41661-0319	-B7V241	
26-48-6081	-B8B197		26-48-5081	-B8B241		26-58-5084	-B8AW197		26-48-5088	-B8V241	
26-48-6091	-B9B197		26-48-5091	-B9B241		26-58-5094	-B9AW197		41661-0320	-B9V241	
26-48-6101	-B10B197		26-48-5101	-B10B241		26-58-5104	-B10AW197		41661-0321	-B10V241	
26-48-6111	-B11B197		26-48-5111	-B11B241		26-58-5114	-B11AW197		41661-0322	-B11V241	
26-48-6121	-B12B197		26-48-5121	-B12B241		26-58-5124	-B12AW197		41661-0323	-B12V241	
26-48-6131	-B13B197		26-48-5131	-B13B241		26-58-5134	-B13AW197		41661-0324	-B13V241	
26-48-6141	-B14B197		26-48-5141	-B14B241		26-58-5144	-B14AW197		41661-0325	-B14V241	
26-48-6151	-B15B197		26-48-5151	-B15B241		26-58-5154	-B15AW197		41661-0326	-B15V241	
26-48-6161	-B16B197		26-48-5161	-B16B241		26-58-5164	-B16AW197		41661-0327	-B16V241	
26-48-6171	-B17B197		26-48-5171	-B17B241		26-58-5174	-B17AW197		41661-0328	-B17V241	
26-48-6181	-B18B197		26-48-5181	-B18B241		26-58-5184	-B18AW197		41661-0329	-B18V241	
26-48-6191	-B19B197		26-48-5191	-B19B241		26-58-5194	-B19AW197		41661-0330	-B19V241	
26-48-6201	-B20B197		26-48-5201	-B20B241		26-58-5204	-B20AW197		41661-0331	-B20V241	
26-48-6211	-B21B197		26-48-5211	-B21B241		26-58-5214	-B21AW197		41661-0332	-B21V241	
26-48-6221	-B22B197		26-48-5221	-B22B241		26-58-5224	-B22AW197		41661-0333	-B22V241	
26-48-6231	-B23B197		26-48-5231	-B23B241		26-58-5234	-B23AW197		41661-0334	-B23V241	
26-48-6241	-B24B197		26-48-5241	-B24B241		26-58-5244	-B24AW197		41661-0335	-B24V241	

REV: BE	ECR/ECN INFORMATION: EC No.: UCP2012-0114 DATE: 10/31/2011	TITLE: KK 156 HEADER ASSEMBLY FLAT BREAKAWAY 2-24 CKTS	SHEET No. - 7 -
DOCUMENT NUMBER: SD- 41661 -001	CREATED / REVISED BY: MMSTROH	CHECKED BY: MKIPPER	APPROVED BY: FSMITH

PIN NUMBER	43294-0830	PIN NUMBER	43294-0473	PIN NUMBER	43294-0598	PIN NUMBER	43294-0121				
PIN LENGTH	35.05/1.380	PIN LENGTH	25.40/1.000	PIN LENGTH	28.70/1.130	PIN LENGTH	16.00/.630				
PLATING	241	PLATING	197	PLATING	197	PLATING	197				
MATING "M"	27.31/1.075	MATING "M"	18.26/.719	MATING "M"	22.28/.877	MATING "M"	8.94/.352				
PCB "P"	4.50/.177	PCB "P"	3.89/.153	PCB "P"	3.18/.125	PCB "P"	3.81/.150				
GOLD "G"	6.85/.270	GOLD "G"	N/A	GOLD "G"	N/A	GOLD "G"	N/A				
TIN "T"	5.08/.200	TIN "T"	OVERALL	TIN "T"	OVERALL	TIN "T"	OVERALL				
PACKAGING	PK-41661-001	PACKAGING	PK-41661-001	PACKAGING	PK-41661-001	PACKAGING	PK-41661-001				
STATUS		STATUS		STATUS		STATUS					
A-41661-BNAN241-*			A-41661-BND197-*			A-41661-BNBA197-*			A-41661-BNBC197-*		
MATERIAL	ENGINEERING	VOIDS	MATERIAL	ENGINEERING	VOIDS	MATERIAL	ENGINEERING	VOIDS	MATERIAL	ENGINEERING	VOIDS
26-58-4026	-B2AN241		41661-0336	-B2D197		26-48-4025	-B2BA197		26-48-3023	-B2BC197	
26-58-4036	-B3AN241		41661-0337	-B3D197		26-48-4035	-B3BA197		26-48-3033	-B3BC197	
26-58-4046	-B4AN241		41661-0338	-B4D197		26-48-4045	-B4BA197		26-48-3043	-B4BC197	
26-58-4056	-B5AN241		26-48-9052	-B5D197		26-48-4055	-B5BA197		26-48-3053	-B5BC197	
26-58-4066	-B6AN241		41661-0339	-B6D197		26-48-4065	-B6BA197		26-48-3063	-B6BC197	
26-58-4076	-B7AN241		41661-0340	-B7D197		26-48-4075	-B7BA197		26-48-3073	-B7BC197	
26-58-4086	-B8AN241		26-48-9082	-B8D197		26-48-4085	-B8BA197		26-48-3083	-B8BC197	
26-58-4096	-B9AN241		41661-0341	-B9D197		26-48-4095	-B9BA197		26-48-3093	-B9BC197	
26-58-4106	-B10AN241		41661-0342	-B10D197		26-48-4105	-B10BA197		26-48-3103	-B10BC197	
26-58-4116	-B11AN241		41661-0343	-B11D197		26-48-4115	-B11BA197		26-48-3113	-B11BC197	
26-58-4126	-B12AN241		41661-0344	-B12D197		26-48-4125	-B12BA197		26-48-3123	-B12BC197	
26-58-4136	-B13AN241		41661-0345	-B13D197		26-48-4135	-B13BA197		26-48-3133	-B13BC197	
26-58-4146	-B14AN241		41661-0346	-B14D197		26-48-4145	-B14BA197		26-48-3143	-B14BC197	
26-58-4156	-B15AN241		41661-0347	-B15D197		26-48-4155	-B15BA197		26-48-3153	-B15BC197	
26-58-4166	-B16AN241		41661-0348	-B16D197		26-48-4165	-B16BA197		26-48-3163	-B16BC197	
26-58-4176	-B17AN241		41661-0349	-B17D197		26-48-4175	-B17BA197		26-48-3173	-B17BC197	
26-58-4186	-B18AN241		41661-0350	-B18D197		26-48-4185	-B18BA197		26-48-3183	-B18BC197	
26-58-4196	-B19AN241		41661-0351	-B19D197		26-48-4195	-B19BA197		26-48-3193	-B19BC197	
26-58-4206	-B20AN241		41661-0352	-B20D197		26-48-4205	-B20BA197		26-48-3203	-B20BC197	
26-58-4216	-B21AN241		41661-0353	-B21D197		26-48-4215	-B21BA197		26-48-3213	-B21BC197	
26-58-4226	-B22AN241		41661-0354	-B22D197		26-48-4225	-B22BA197		26-48-3223	-B22BC197	
26-58-4236	-B23AN241		41661-0355	-B23D197		26-48-4235	-B23BA197		26-48-3233	-B23BC197	
26-58-4246	-B24AN241		26-48-9242	-B24D197		26-48-4245	-B24BA197		26-48-3243	-B24BC197	

REV: BE	ECR/ECN INFORMATION: EC No.: UCP2012-0114 DATE: 10/31/2011	TITLE: KK 156 HEADER ASSEMBLY FLAT BREAKAWAY 2-24 CKTS	SHEET No. - 8 -
DOCUMENT NUMBER: SD- 41661 -001	CREATED / REVISED BY: MMSTROH	CHECKED BY: MKIPPER	APPROVED BY: FSMITH

PIN NUMBER	43294-0365	PIN NUMBER	43294-0241	PIN NUMBER	CONTINUED	PIN NUMBER	43294-0572				
PIN LENGTH	22.61/.890	PIN LENGTH	19.05/.750	PIN LENGTH		PIN LENGTH	27.94/1.100				
PLATING	241	PLATING	241	PLATING	FROM	PLATING	197				
MATING "M"	14.99/.590	MATING "M"	11.43/.450	MATING "M"		MATING "M"	12.34/.486				
PCB "P"	4.37/.172	PCB "P"	4.37/.172	PCB "P"	LAST	PCB "P"	12.34/.486				
GOLD "G"	10.54/.415	GOLD "G"	6.86/.270	GOLD "G"		GOLD "G"	N/A				
TIN "T"	4.06/.160	TIN "T"	4.06/.160	TIN "T"	COLUMN	TIN "T"	OVERALL				
PACKAGING	PK-41661-001	PACKAGING	PK-41661-001	PACKAGING		PACKAGING	PK-41661-001				
STATUS		STATUS		STATUS		STATUS					
A-41661-BNAE241-*			A-41661-BNA241-*			A-41661-BNA241-*			A-41661-BNCC197-*		
MATERIAL	ENGINEERING	VOIDS	MATERIAL	ENGINEERING	VOIDS	MATERIAL	ENGINEERING	VOIDS	MATERIAL	ENGINEERING	VOIDS
26-48-2020	-B2AE241		26-48-2021	-B2A241		26-49-7171	-B17A241-51	2,4,6,8,10,12,14,16	41661-0380	-B2CC197	
26-48-2030	-B3AE241		26-48-2031	-B3A241					41661-0381	-B3CC197	
26-48-2040	-B4AE241		26-48-2041	-B4A241					41661-0382	-B4CC197	
26-48-2050	-B5AE241		26-48-2051	-B5A241					41661-0383	-B5CC197	
26-48-2060	-B6AE241		26-48-2061	-B6A241					41661-0384	-B6CC197	
26-48-2070	-B7AE241		26-48-2071	-B7A241					41661-0385	-B7CC197	
26-48-2080	-B8AE241		26-48-2081	-B8A241					41661-0386	-B8CC197	
26-48-2090	-B9AE241		26-48-2091	-B9A241					41661-0387	-B9CC197	
26-48-2100	-B10AE241		26-48-2101	-B10A241					41661-0388	-B10CC197	
26-48-2110	-B11AE241		26-48-2111	-B11A241					41661-0389	-B11CC197	
26-48-2120	-B12AE241		26-48-2121	-B12A241					41661-0390	-B12CC197	
26-48-2130	-B13AE241		26-48-2131	-B13A241					41661-0391	-B13CC197	
26-48-2140	-B14AE241		26-48-2141	-B14A241					41661-0392	-B14CC197	
26-48-2150	-B15AE241		26-48-2151	-B15A241					41661-0393	-B15CC197	
26-48-2160	-B16AE241		26-48-2161	-B16A241					41661-0394	-B16CC197	
26-48-2170	-B17AE241		26-48-2171	-B17A241					41661-0395	-B17CC197	
26-48-2180	-B18AE241		26-48-2181	-B18A241					41661-0396	-B18CC197	
26-48-2190	-B19AE241		26-48-2191	-B19A241					41661-0397	-B19CC197	
26-48-2200	-B20AE241		26-48-2201	-B20A241					41661-0398	-B20CC197	
26-48-2210	-B21AE241		26-48-2211	-B21A241					41661-0399	-B21CC197	
26-48-2220	-B22AE241		26-48-2221	-B22A241					41661-0400	-B22CC197	
26-48-2230	-B23AE241		26-48-2231	-B23A241					41661-0401	-B23CC197	
26-48-2240	-B24AE241		26-48-2241	-B24A241					41661-0402	-B24CC197	

REV: BE	ECR/ECN INFORMATION: EC No.: UCP2012-0114 DATE: 10/31/2011	TITLE: KK 156 HEADER ASSEMBLY FLAT BREAKAWAY 2-24 CKTS	SHEET No. - 9 -
DOCUMENT NUMBER: SD- 41661 -001	CREATED / REVISED BY: MMSTROH	CHECKED BY: MKIPPER	APPROVED BY: FSMITH

PIN NUMBER	43294-0362	PIN NUMBER	43294-0363	PIN NUMBER	43294-0587	PIN NUMBER	43294-0317				
PIN LENGTH	22.61/.890	PIN LENGTH	22.61/.890	PIN LENGTH	28.45/1.120	PIN LENGTH	21.34/.840				
PLATING	208	PLATING	228	PLATING	208	PLATING	208				
MATING "M"	15.09/.594	MATING "M"	15.09/.594	MATING "M"	22.15/.872	MATING "M"	13.97/.550				
PCB "P"	4.27/.168	PCB "P"	4.27/.168	PCB "P"	3.05/.120	PCB "P"	4.11/.162				
GOLD "G"	10.54/.415	GOLD "G"	10.54/.415	GOLD "G"	6.86/.270	GOLD "G"	8.89/.350				
TIN "T"	4.06/.160	TIN "T"	4.06/.160	TIN "T"	5.08/.200	TIN "T"	5.08/.200				
PACKAGING	PK-41661-001	PACKAGING	PK-41661-001	PACKAGING	PK-41661-001	PACKAGING	PK-41661-001				
STATUS		STATUS		STATUS		STATUS					
A-41661-BNCA208-*			A-41661-BNCA228-*			A-41661-BNCD208-*			A-41661-BNCE208-*		
MATERIAL	ENGINEERING	VOIDS	MATERIAL	ENGINEERING	VOIDS	MATERIAL	ENGINEERING	VOIDS	MATERIAL	ENGINEERING	VOIDS
41661-0047	-B2CA208		41661-0070	-B2CA228		41661-0403	-B2CD208		41661-0426	-B2CE208	
41661-0048	-B3CA208		41661-0071	-B3CA228		41661-0404	-B3CD208		41661-0427	-B3CE208	
41661-0049	-B4CA208		41661-0072	-B4CA228		41661-0405	-B4CD208		41661-0428	-B4CE208	
41661-0050	-B5CA208		41661-0073	-B5CA228		41661-0406	-B5CD208		41661-0429	-B5CE208	
41661-0051	-B6CA208		41661-0074	-B6CA228		41661-0407	-B6CD208		41661-0430	-B6CE208	
41661-0052	-B7CA208		41661-0075	-B7CA228		41661-0408	-B7CD208		41661-0431	-B7CE208	
41661-0053	-B8CA208		41661-0076	-B8CA228		41661-0409	-B8CD208		41661-0432	-B8CE208	
41661-0054	-B9CA208		41661-0077	-B9CA228		41661-0410	-B9CD208		41661-0433	-B9CE208	
41661-0055	-B10CA208		41661-0078	-B10CA228		41661-0411	-B10CD208		41661-0434	-B10CE208	
41661-0056	-B11CA208		41661-0079	-B11CA228		41661-0412	-B11CD208		41661-0435	-B11CE208	
41661-0057	-B12CA208		41661-0080	-B12CA228		41661-0413	-B12CD208		41661-0436	-B12CE208	
41661-0058	-B13CA208		41661-0081	-B13CA228		41661-0414	-B13CD208		41661-0437	-B13CE208	
41661-0059	-B14CA208		41661-0082	-B14CA228		41661-0415	-B14CD208		41661-0438	-B14CE208	
41661-0060	-B15CA208		41661-0083	-B15CA228		41661-0416	-B15CD208		41661-0439	-B15CE208	
41661-0061	-B16CA208		41661-0084	-B16CA228		41661-0417	-B16CD208		41661-0440	-B16CE208	
41661-0062	-B17CA208		41661-0085	-B17CA228		41661-0418	-B17CD208		41661-0441	-B17CE208	
41661-0063	-B18CA208		41661-0086	-B18CA228		41661-0419	-B18CD208		41661-0442	-B18CE208	
41661-0064	-B19CA208		41661-0087	-B19CA228		41661-0420	-B19CD208		41661-0443	-B19CE208	
41661-0065	-B20CA208		41661-0088	-B20CA228		41661-0421	-B20CD208		41661-0444	-B20CE208	
41661-0066	-B21CA208		41661-0089	-B21CA228		41661-0422	-B21CD208		41661-0445	-B21CE208	
41661-0067	-B22CA208		41661-0090	-B22CA228		41661-0423	-B22CD208		41661-0446	-B22CE208	
41661-0068	-B23CA208		41661-0091	-B23CA228		41661-0424	-B23CD208		41661-0447	-B23CE208	
41661-0069	-B24CA208		41661-0092	-B24CA228		41661-0425	-B24CD208		41661-0448	-B24CE208	

REV: BE	ECR/ECN INFORMATION: EC No.: UCP2012-0114 DATE: 10/31/2011	TITLE: KK 156 HEADER ASSEMBLY FLAT BREAKAWAY 2-24 CKTS	SHEET No. - 10 -
DOCUMENT NUMBER: SD- 41661 -001	CREATED / REVISED BY: MMSTROH	CHECKED BY: MKIPPER	APPROVED BY: FSMITH

PIN NUMBER			PIN NUMBER 43294-0175			PIN NUMBER 43294-0419			PIN NUMBER 43294-0500		
PIN LENGTH			PIN LENGTH 17.53 / .690			PIN LENGTH 23.88 / .940			PIN LENGTH 26.16 / 1.030		
PLATING			PLATING 197			PLATING 197			PLATING 197		
MATING "M"			MATING "M" 9.70 / .382			MATING "M" 17.09 / .673			MATING "M" 11.43 / .450		
PCB "P"			PCB "P" 4.57 / .180			PCB "P" 3.53 / .139			PCB "P" 11.48 / .452		
GOLD "G"			GOLD "G" NA			GOLD "G" NA			GOLD "G" N/A		
TIN "T"			TIN "T" OVERALL			TIN "T" OVERALL			TIN "T" OVERALL		
PACKAGING			PACKAGING PK-41661-001			PACKAGING PK-41661-001			PACKAGING PK-41661-001		
STATUS			STATUS			STATUS			STATUS		
			A-41661-BNCG197-*			A-41661-BNCH197-*			A-41661-BNCL197-*		
MATERIAL	ENGINEERING	VOIDS	MATERIAL	ENGINEERING	VOIDS	MATERIAL	ENGINEERING	VOIDS	MATERIAL	ENGINEERING	VOIDS
			41661-0472	-B02CG197							
			41661-0473	-B03CG197							
			41661-0474	-B04CG197		41661-0497	B04CH197				
			41661-0475	-B05CG197							
			41661-0476	-B06CG197					41661-0522	-B06CL197	
			41661-0477	-B07CG197							
			41661-0478	-B08CG197							
			41661-0479	-B09CG197					41661-0525	-B09CL197	
			41661-0480	-B10CG197							
			41661-0481	-B11CG197							
			41661-0482	-B12CG197							
			41661-0483	-B13CG197							
			41661-0484	-B14CG197							
			41661-0485	-B15CG197							
			41661-0486	-B16CG197							
			41661-0487	-B17CG197							
			41661-0488	-B18CG197							
			41661-0489	-B19CG197							
			41661-0490	-B20CG197							
			41661-0491	-B21CG197							
			41661-0492	-B22CG197							
			41661-0493	-B23CG197							
			41661-0494	-B24CG197							

REV: BE	ECR/ECN INFORMATION: EC No.: UCP2012-0114 DATE: 10/31/2011	TITLE: KK 156 HEADER ASSEMBLY FLAT BREAKAWAY 2-24 CKTS	SHEET No. - 11 -
DOCUMENT NUMBER: SD- 41661 -001	CREATED / REVISED BY: MMSTROH	CHECKED BY: MKIPPER	APPROVED BY: FSMITH

PIN NUMBER	43294-0236	PIN NUMBER	43294-0614	PIN NUMBER	43294-0832	PIN NUMBER	43294-0643				
PIN LENGTH	19.05 / .750	PIN LENGTH	29.21 / 1.150	PIN LENGTH	35.05 / 1.380	PIN LENGTH	29.97 / 1.180				
PLATING	208	PLATING	208	PLATING	197	PLATING	197				
MATING "M"	12.93 / .509	MATING "M"	21.21 / .835	MATING "M"	27.43 / 1.080	MATING "M"	24.51 / .965				
PCB "P"	2.87 / .113	PCB "P"	4.75 / .187	PCB "P"	4.37 / .172	PCB "P"	2.21 / .087				
GOLD "G"	6.86 / .270	GOLD "G"	6.86 / .270	GOLD "G"	N/A	GOLD "G"	N/A				
TIN "T"	4.06 / .160	TIN "T"	5.08 / .200	TIN "T"	OVERALL	TIN "T"	OVERALL				
PACKAGING	PK-41661-001	PACKAGING	PK-41661-001	PACKAGING	PK-41661-001	PACKAGING	PK-41661-001				
STATUS		STATUS		STATUS		STATUS					
A-41661-BNB208-*			A-41661-BND208-*			A-41661-BNCM197-*			A-41661-BNCN197-*		
MATERIAL	ENGINEERING	VOIDS	MATERIAL	ENGINEERING	VOIDS	MATERIAL	ENGINEERING	VOIDS	MATERIAL	ENGINEERING	VOIDS
	-B02B208			-B02D208							
	-B03B208			-B03D208							
	-B04B208		41661-0566	-B04D208							
	-B05B208			-B05D208							
	-B06B208			-B06D208							
	-B07B208			-B07D208							
	-B08B208			-B08D208							
	-B09B208			-B09D208							
41661-0549	-B10B208			-B10D208					41661-0621	-B10CN197	
	-B11B208			-B11D208							
41661-0551	-B12B208			-B12D208		41661-0600	-B12CM197				
	-B13B208			-B13D208							
	-B14B208			-B14D208							
	-B15B208			-B15D208							
	-B16B208			-B16D208							
	-B17B208			-B17D208							
	-B18B208			-B18D208							
	-B19B208			-B19D208							
	-B20B208			-B20D208							
	-B21B208			-B21D208							
	-B22B208			-B22D208							
	-B23B208			-B23D208							
	-B24B208			-B24D208							

REV: BE	ECR/ECN INFORMATION: EC No.: UCP2012-0114 DATE: 10/31/2011	TITLE: KK 156 HEADER ASSEMBLY FLAT BREAKAWAY 2-24 CKTS	SHEET No. - 12 -
DOCUMENT NUMBER: SD- 41661 -001	CREATED / REVISED BY: MMSTROH	CHECKED BY: MKIPPER	APPROVED BY: FSMITH

PIN NUMBER	43294-0112	PIN NUMBER	43294-0103	PIN NUMBER		PIN NUMBER		
PIN LENGTH	15.75/.620	PIN LENGTH	15.49/ .610	PIN LENGTH		PIN LENGTH		
PLATING	222	PLATING	197	PLATING		PLATING		
MATING "M"	8.81/.347	MATING "M"	8.67/ .342	MATING "M"		MATING "M"		
PCB "P"	3.68/.145	PCB "P"	3.56/ .140	PCB "P"		PCB "P"		
GOLD "G"	N/A	GOLD "G"	N/A	GOLD "G"		GOLD "G"		
TIN "T"	OVERALL	TIN "T"	OVERALL	TIN "T"		TIN "T"		
PACKAGING	PK-41661-001	PACKAGING	PK-41661-001	PACKAGING		PACKAGING		
STATUS		STATUS		STATUS		STATUS		
A-41661-BNBC222-*			A-41661-BNBD197-*					
MATERIAL	ENGINEERING	VOIDS	MATERIAL	ENGINEERING	VOIDS	MATERIAL	ENGINEERING	VOIDS
			41661-0661	-B04BD197				
			41661-0662	-B05BD197				
			41661-0663	-B06BD197				
41661-0642	-B08BC222							

REV: BE	ECR/ECN INFORMATION: EC No.: UCP2012-0114 DATE: 10/31/2011	TITLE: KK 156 HEADER ASSEMBLY FLAT BREAKAWAY 2-24 CKTS	SHEET No. - 13 -
DOCUMENT NUMBER: SD- 41661 -001	CREATED / REVISED BY: MMSTROH	CHECKED BY: MKIPPER	APPROVED BY: FSMITH