

10 9 8 7 6 5 4 3 2 1

F

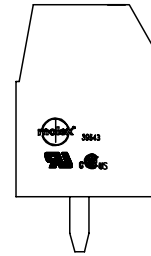
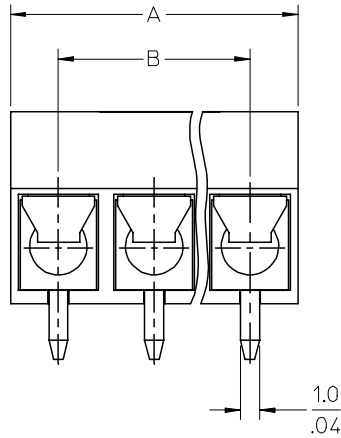
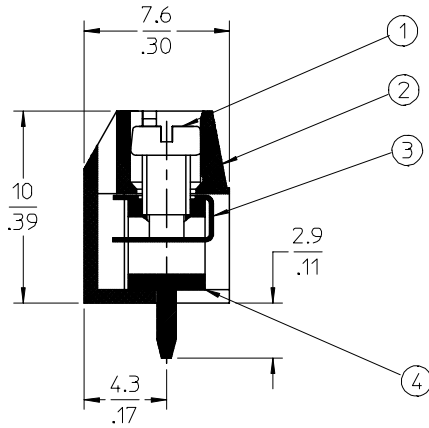
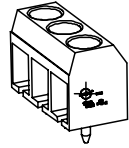
E

D

C

B

A



- SPECIFICATIONS:**
1. Material:
    - (1). Screw: C1010.
    - (2). Body: PA66
    - (3). Wire Protector: Brass
    - (4). Terminal: Brass
  2. Wire range: 22 - 14AWG.
  3. Electrical rating: 300V, 10A.
  4. MAX TORQUE: 3 in.-lbs.
  5. Wire strip length: 6.1mm.
  6. Dielectric withstands: AC2500V for 1 minute.
  7. Breakdown voltage: 4000v(12/50us), 5 times.
  8. Insulation resistance: DC500V, 500M.
  9. Operating temperature: -40C to +105C.
  10. A = N x P.
  11. B = (N - 1) x P
  12. P = (Pitch) = 5.00MM (.197").
  13. N = Number of positions available 2 through 24.

ENTER DESCRIPTION EC NO: NEO2006-0310 DRWNL: LROTHAUS 2006/01/09 CHKD: CYORK 2006/01/09 APPR: JPAMLIK 2006/01/10 DESCRIPTION	QUALITY SYMBOLS	GENERAL TOLERANCES (UNLESS SPECIFIED)	DIMENSION STYLE	SCALE	DESIGN UNITS	THIRD ANGLE PROJECTION															
	▼=0 ▽=0	<table border="1"> <thead> <tr> <th></th> <th>mm</th> <th>INCH</th> </tr> </thead> <tbody> <tr> <td>4 PLACES</td> <td>± ---</td> <td>±.0015</td> </tr> <tr> <td>3 PLACES</td> <td>±0.038</td> <td>±.005</td> </tr> <tr> <td>2 PLACES</td> <td>±0.13</td> <td>±.01</td> </tr> <tr> <td>1 PLACE</td> <td>±0.3</td> <td>±---</td> </tr> </tbody> </table>		mm	INCH	4 PLACES	± ---	±.0015	3 PLACES	±0.038	±.005	2 PLACES	±0.13	±.01	1 PLACE	±0.3	±---	MM/IN	4:1	INCH	
		mm	INCH																		
	4 PLACES	± ---	±.0015																		
3 PLACES	±0.038	±.005																			
2 PLACES	±0.13	±.01																			
1 PLACE	±0.3	±---																			
	DRAWN BY: LROTHAUS CHECKED BY: C. YORK APPROVED BY:	DATE: 12/6/05 DATE: 01/06/06 DATE:	TITLE: 5.0MM, EURO TERM BLOCK VERTICAL, PC MOUNT, LOW PROFILE																		
REV		MATERIAL NO.: SEE CHART DRAFT WHERE APPLICABLE MUST REMAIN WITHIN DIMENSIONS	MOLEX INCORPORATED	DOCUMENT NO.: SD-39543-004	SHEET NO.: 1 OF 1																

9 8 7 6 5 4 3 2 1

10 9 8 7 6 5 4 3 2 1

Description	Circuit size	Material Numbers						Dimensional Information			
		Black			Green						
		100% Tin			100% Tin						
		Printing Options			Printing Options			Dim. A		Dim B	
None	10A	11A	None	10A	11A	mm	inch	mm	inch		
5.0mm, Euro Block, PC Mount, Vertical, Low Profile	2	395430602	395431602	395432602	395930602	395931602	395932602	10.00	0.394	5.00	0.197
5.0mm, Euro Block, PC Mount, Vertical, Low Profile	3	395430603	395431603	395432603	395930603	395931603	395932603	15.00	0.591	10.00	0.394
5.0mm, Euro Block, PC Mount, Vertical, Low Profile	4	395430604	395431604	395432604	395930604	395931604	395932604	20.00	0.787	15.00	0.591
5.0mm, Euro Block, PC Mount, Vertical, Low Profile	5	395430605	395431605	395432605	395930605	395931605	395932605	25.00	0.984	20.00	0.787
5.0mm, Euro Block, PC Mount, Vertical, Low Profile	6	395430606	395431606	395432606	395930606	395931606	395932606	30.00	1.181	25.00	0.984
5.0mm, Euro Block, PC Mount, Vertical, Low Profile	7	395430607	395431607	395432607	395930607	395931607	395932607	35.00	1.378	30.00	1.181
5.0mm, Euro Block, PC Mount, Vertical, Low Profile	8	395430608	395431608	395432608	395930608	395931608	395932608	40.00	1.575	35.00	1.378
5.0mm, Euro Block, PC Mount, Vertical, Low Profile	9	395430609	395431609	395432609	395930609	395931609	395932609	45.00	1.772	40.00	1.575
5.0mm, Euro Block, PC Mount, Vertical, Low Profile	10	395430610	395431610	395432610	395930610	395931610	395932610	50.00	1.969	45.00	1.772
5.0mm, Euro Block, PC Mount, Vertical, Low Profile	11	395430611	395431611	395432611	395930611	395931611	395932611	55.00	2.165	50.00	1.969
5.0mm, Euro Block, PC Mount, Vertical, Low Profile	12	395430612	395431612	395432612	395930612	395931612	395932612	60.00	2.362	55.00	2.165
5.0mm, Euro Block, PC Mount, Vertical, Low Profile	13	395430613	395431613	395432613	395930613	395931613	395932613	65.00	2.559	60.00	2.362
5.0mm, Euro Block, PC Mount, Vertical, Low Profile	14	395430614	395431614	395432614	395930614	395931614	395932614	70.00	2.756	65.00	2.559
5.0mm, Euro Block, PC Mount, Vertical, Low Profile	15	395430615	395431615	395432615	395930615	395931615	395932615	75.00	2.953	70.00	2.756
5.0mm, Euro Block, PC Mount, Vertical, Low Profile	16	395430616	395431616	395432616	395930616	395931616	395932616	80.00	3.150	75.00	2.953
5.0mm, Euro Block, PC Mount, Vertical, Low Profile	17	395430617	395431617	395432617	395930617	395931617	395932617	85.00	3.346	80.00	3.150
5.0mm, Euro Block, PC Mount, Vertical, Low Profile	18	395430618	395431618	395432618	395930618	395931618	395932618	90.00	3.543	85.00	3.346
5.0mm, Euro Block, PC Mount, Vertical, Low Profile	19	395430619	395431619	395432619	395930619	395931619	395932619	95.00	3.740	90.00	3.543
5.0mm, Euro Block, PC Mount, Vertical, Low Profile	20	395430620	395431620	395432620	395930620	395931620	395932620	100.00	3.937	95.00	3.740
5.0mm, Euro Block, PC Mount, Vertical, Low Profile	21	395430621	395431621	395432621	395930621	395931621	395932621	105.00	4.134	100.00	3.937
5.0mm, Euro Block, PC Mount, Vertical, Low Profile	22	395430622	395431622	395432622	395930622	395931622	395932622	110.00	4.331	105.00	4.134
5.0mm, Euro Block, PC Mount, Vertical, Low Profile	23	395430623	395431623	395432623	395930623	395931623	395932623	115.00	4.528	110.00	4.331
5.0mm, Euro Block, PC Mount, Vertical, Low Profile	24	395430624	395431624	395432624	395930624	395931624	395932624	120.00	4.724	115.00	4.528

SEE PAGE 1 EC NO: NEC2006-0310 DRWNL: LROTHAUS 2006/01/09 CHKDC: CYORK 2006/01/09 APPR: JPAWLICK 2006/01/10	QUALITY SYMBOLS ▽=0 ▽=0	GENERAL TOLERANCES (UNLESS SPECIFIED)		DIMENSION STYLE MM/IN		SCALE 4:1	DESIGN UNITS INCH	THIRD ANGLE PROJECTION
		4 PLACES ± --- ±.0015 3 PLACES ±0.038 ±.005 2 PLACES ±0.13 ±.01 1 PLACE ±0.3 ± ---	mm INCH DRAWN BY DATE LROTHAUS 12/6/05	TITLE 5.0MM, EURO TERM. BLOCK VERTICAL, PC MOUNT, LOW PROFILE				
		DRAFT WHERE APPLICABLE MUST REMAIN WITHIN DIMENSIONS		APPROVED BY DATE C. YORK 01/05/06	MOLEX INCORPORATED			
		MATERIAL NO. SEE CHART		DOCUMENT NO. SD-39543-004		SHEET NO. 2 OF 2		

9 8 7 6 5 4 3 2 1