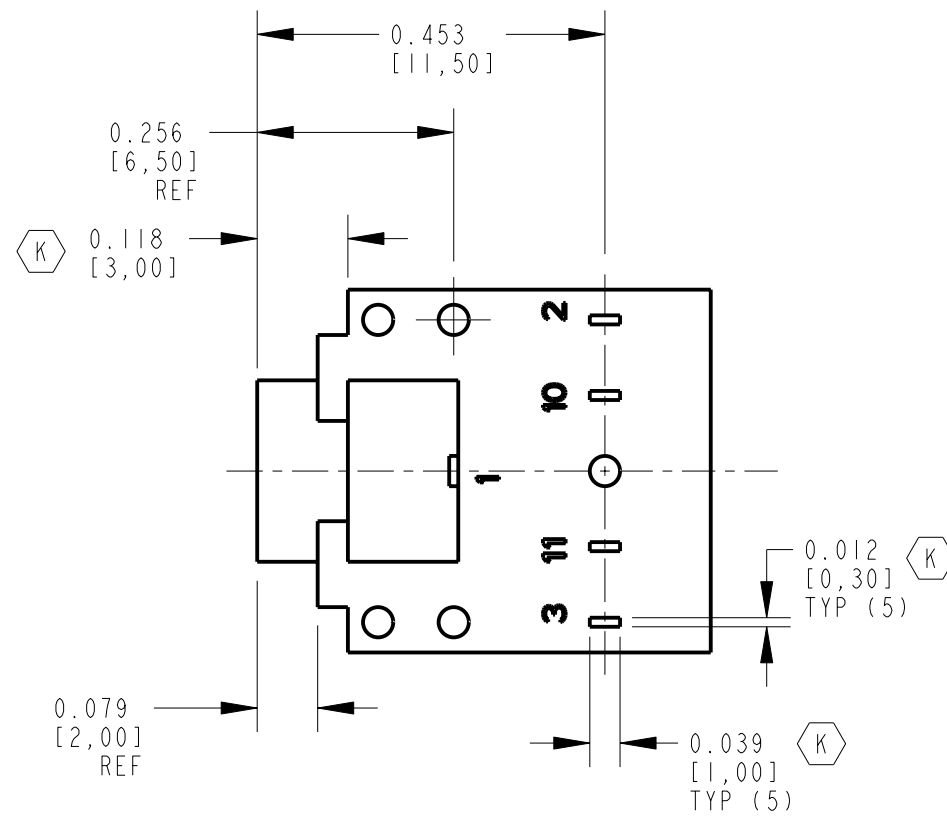
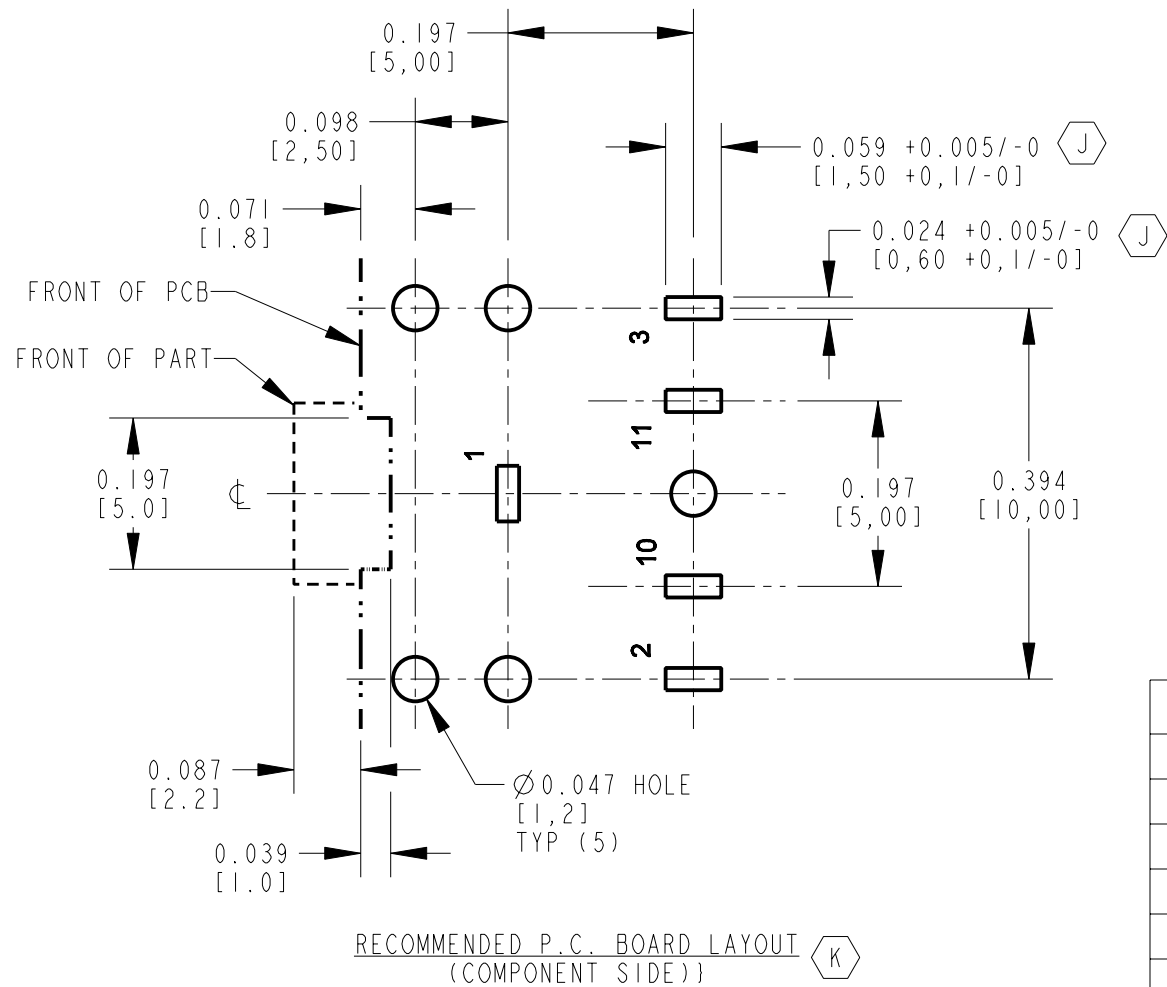
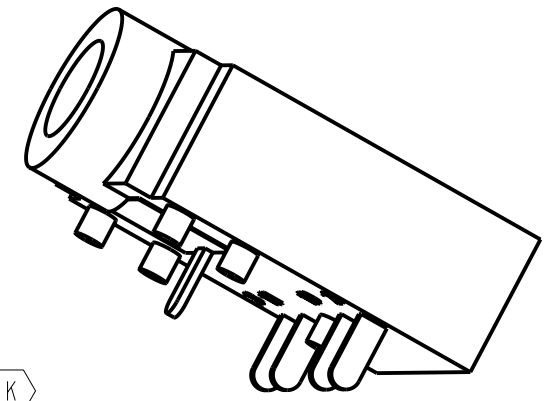
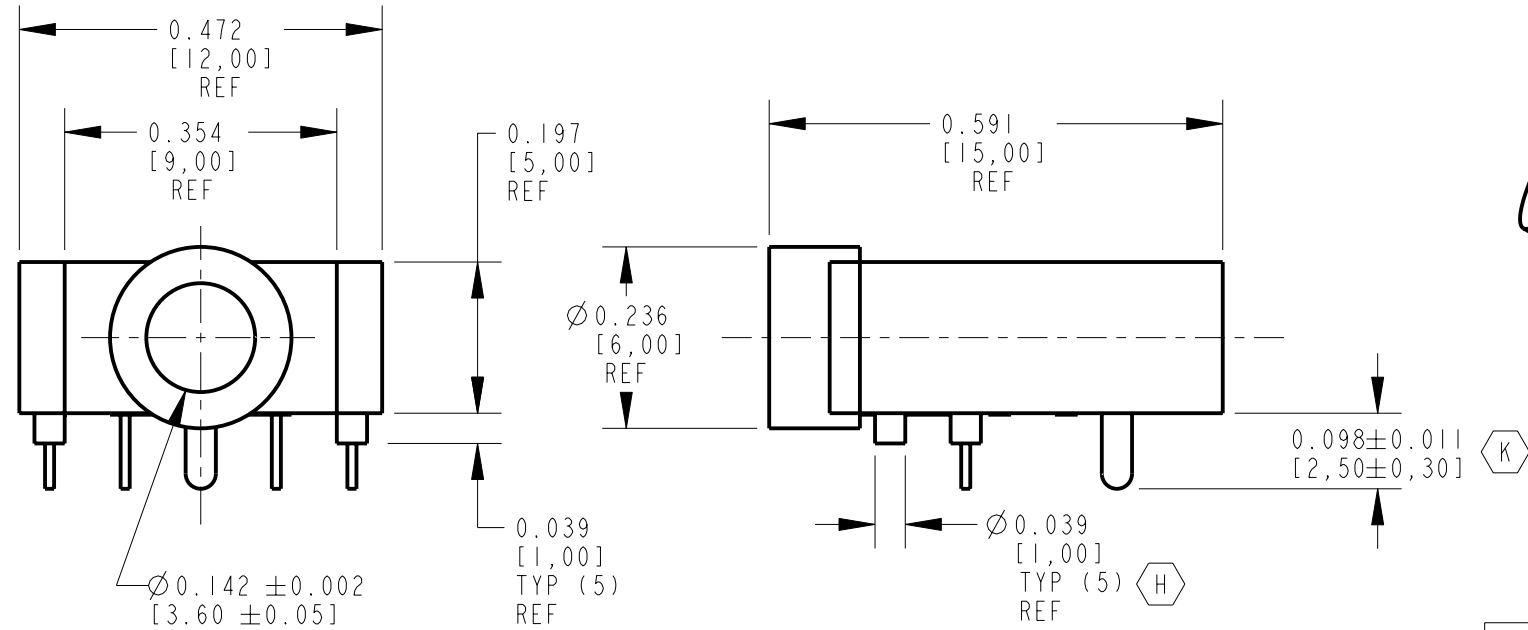


NOTES:

- ELECTRICAL:**
 CONTACT RESISTANCE: 0.030 OHMS MAX INITIAL,
 0.100 OHMS MAX AFTER LIFE TEST.
 INSULATION RESISTANCE: 100 MEGAOHMS MIN @ 500 VDC
 DIELECTRIC WITHSTANDING VOLTAGE: 500 VAC
- MECHANICAL:**
 LIFE: 5000 CYCLES
 INSERTION FORCE: 0,4 KG TO 3 KG
 WITHDRAWAL FORCE: 0,4 KG TO 3 KG
- MATERIALS:**
 HOUSING: PBT, BLACK, UL94V-0
 COVER: PBT, BLACK, UL94V-0
 BUSHING: BRASS, NICKEL PLATED
 SPRINGS: SLEEVE-PHOSPHOR BRONZE, SILVER PLATED
 SHUNT-BRASS, SILVER PLATED.
 TIP & RING - COPPER ALLOY, SILVER PLATED
- THIS PRODUCT IS RoHS COMPLIANT.



SHOWN 35RAPC4BHN2

PART NUMBER	SCHEMATIC
35RAPC2AHN2	
35RAPC3BHN2	
35RAPC4BHN2	
35RAPC2BHN2	

CUSTOMER DRAWING

REV	ECO NUMBER	DATE	BY	APVD
K	27056	11-20-12	TO	TJK
J	26998	7-20-12	TO	TJK
H	26658	11-10-10	TO	TJK
G	26553	6-8-10	TJK	TJK
F	ECO # 24453	4-10-03	SRC	TJK

★ STAR SYMBOL DENOTES CRITICAL DIMENSION

UNLESS OTHERWISE SPECIFIED

1. ALL DIMENSIONS IN INCHES
 - TWO PLACE DECIMALS ±0.01
 - THREE PLACE DECIMALS ±0.005
 - FRACTIONAL DIMENSIONS ±1/64
 - ANGLES ±1°
 - ALL DIA. CONCENTRIC WITHIN 0.005 T.I.R.

2. FEATURES ON THE SAME CENTERLINE MUST BE ALIGNED WITHIN ±0.002

3. REMOVE ALL BURRS

DO NOT SCALE DRAWING

THIS DRAWING DESCRIBES A DESIGN CONSIDERED PROPRIETARY IN NATURE, DEVELOPED AND MANUFACTURED BY SWITCHCRAFT INC. AND IS RELEASED ON A CONFIDENTIAL BASIS FOR IDENTIFICATION PURPOSES ONLY.				
SIZE	WIDTH	MULT	LBS/M	TEMPER
FINISH		MATERIAL		
SPEC No.		SPEC No.		
FIRST USED ON		SCALE		
		4:1		
DATE DRAWN	BY	CHKD	APVD	
9-Dec-93	LR	LR	EBR	
		12-10-93	12-10-93	
NAME			PART No.	REV
3.5MM HORIZONTAL STEREO JACK, RoHS			35RAPC_ _HN2	K