

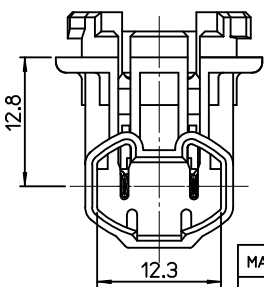
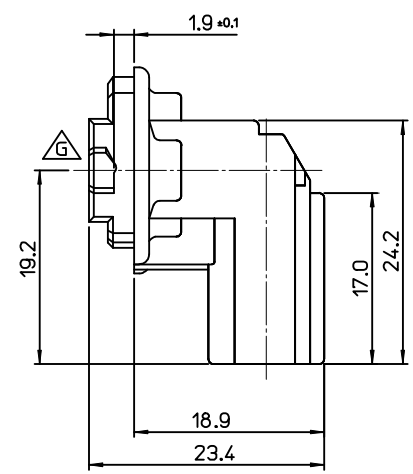
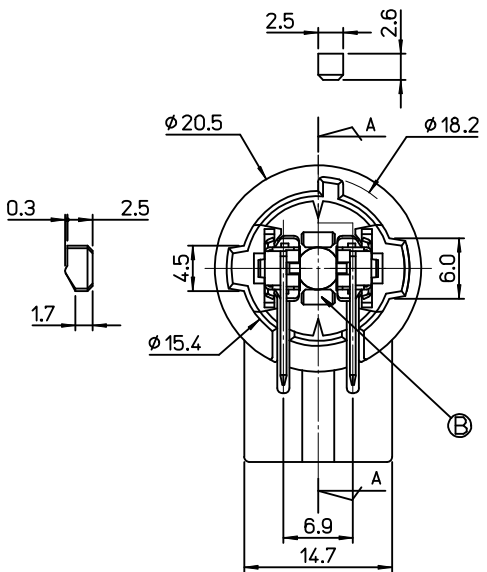
SECTION A-A
(SCALE 4:1)

<NOTE>

- 1. ASSEMBLY PART NO. : 35343-021*
- 2. MATERIAL

NO.	PART NAME	PART NO.	MATERIAL	REMARK	Q'TY
1	SOCKET PLUG	35343-029*	POLYAMIDE(PA66)	GRAY/BLACK	1
2	TERMINAL	35077-6200	COPPER ALLOY	UN-PLATED	1
		35077-6100			1
3	BULB	-	-	12V W5W/W16W	1

3. 'F' DIMENSION (W16W) : 15.5mm



MATERIAL NO.	ENG NO.	COLOR
353430210	35343-0210	GRAY
353430211	35343-0211	BLACK

ADDED OPTION
EC NO: KTR2015-0125
DRWN:JKSE001 2015/06/26
CHKD:
APPR: JHBAE 2015/07/21

QUALITY SYMBOLS
▽=0
▽=0

	GENERAL TOLERANCES (UNLESS SPECIFIED)	
	mm	INCH
4 PLACES	± ---	± ---
3 PLACES	± ---	± ---
2 PLACES	± ---	± ---
1 PLACE	± 0.25	± ---
ANGULAR ± 1 °		

DRAFT WHERE APPLICABLE
MUST REMAIN
WITHIN DIMENSIONS

DIMENSION STYLE		SCALE	DESIGN UNITS	THIRD ANGLE PROJECTION
MM ONLY		2:1	METRIC	☑
DRAWN BY	DATE	TITLE		
KSKIM	1996/01/05	HMS BULB CONN. HEADER		
CHECKED BY	DATE	MATERIAL NO.		
JKOH	1996/01/05	SEE TABLE		
APPROVED BY	DATE	DOCUMENT NO.		
CWLEE	1996/01/05	SD-35343-001		
SIZE		SHEET NO.		
A3		1 OF 1		

THIS DRAWING CONTAINS INFORMATION THAT IS PROPRIETARY TO MOLEX INCORPORATED AND SHOULD NOT BE USED WITHOUT WRITTEN PERMISSION