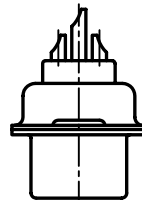
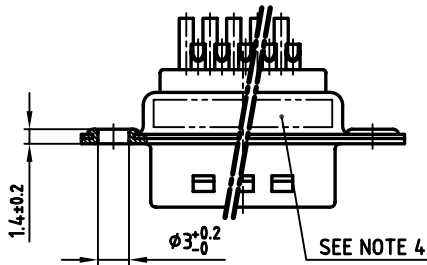
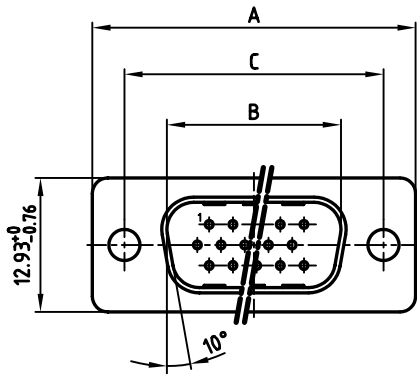
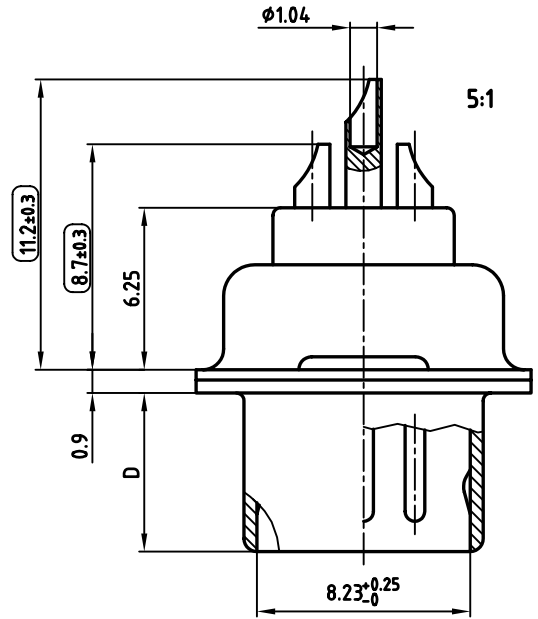


POS.	A ^{-0.76}	B ^{+0.25}	C	D ^{-0.3}	Part No.
15	31.19	16.79	25.00 ^{-0.12} _{-0.13}	6.12	301A10129X
26	39.52	25.12	33.30 ^{-0.15} _{-0.1}	6.12	301A10139X
44	53.42	38.84	47.04 ^{±0.13}	5.99	301A10149X
62	69.70	55.30	63.50 ^{±0.13}	5.99	301A10159X

used for: D-SUB HD



NOTES:

- METALSHELLS: STEEL; min. 320µ" TIN
- INSULATORS: PBT GF UL 94 V-0, BLACK
- CONTACTS: COPPER ALLOY
PLATING: 8µ" HARD GOLD OVER min. 50µ" NICKEL
SOLDER CUP ACCEPTS CABLE AWG 22
- CONNECTOR IS PART MARKED: PART-NO. CONEC ABC
- = CHECK DIMENSION

Directive 2002/95/EC
RoHS
Compliant

APPROVAL * FREIGABE * DEBLOCAGE * AUTORIZACION * APPROVAL	
CUSTOMER APPROVAL DATE:	
NAME:	TITLE:
COMPANY NAME:	
APPROVAL * FREIGABE * DEBLOCAGE * AUTORIZACION * APPROVAL	

THIS DRAWING MAY NOT BE COPIED OR REPRODUCED IN ANY WAY, AND MAY NOT BE PASSED ON TO A THIRD PARTY, WITHOUT WRITTEN PERMISSION. OWNERSHIP AND COPYRIGHT OF CONEC GmbH DO NOT ALTER CAD DRAWING BY HAND

rev.	description	date	name

tolerance	dim. in mm	scale: 2:1 (5:1)
material: SEE NOTES		title: D-SUB HD MALE 15-62pos. SOLDER CUP STAMPED CONTACTS
2005	date	name
drawn	21.11.	Lehmenkühler
appd.	21.11.	Mickenbecker
norm: DIN 41652		dwg no: AutoCAD 2004
d-old		DIN-A
CONEC		16K1A1570
part no: SEE TABLE		3
		sh: 1/1