

used for: D-SUB

Ⓒ SPECIFICATION:

1. MATERIAL:

- INSULATOR: THERMAL PLASTIC UL 94 V-0
- CONTACTS: COPPER ALLOY
- SHELL: STEEL
- RIVET; BOARDLOCK: COPPER ALLOY

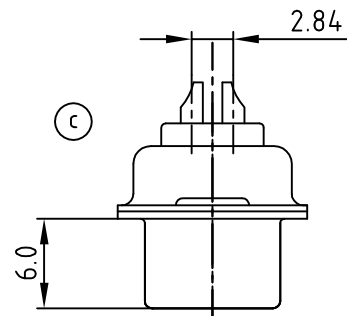
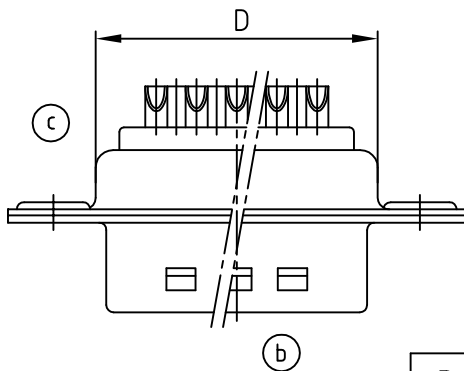
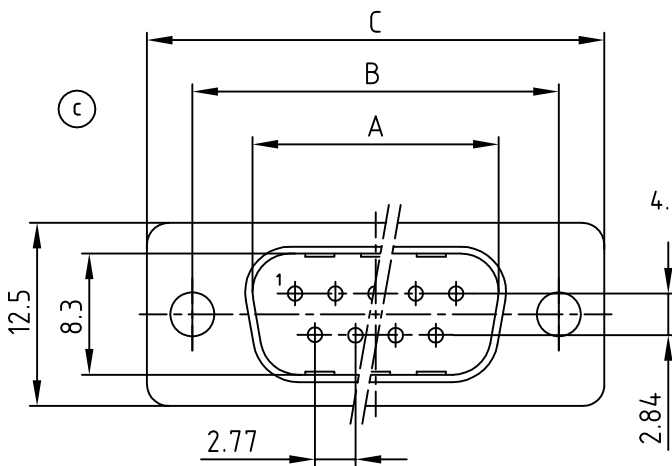
2. CONTACT PLATING:

- UNDERPLATE: 50µ" NICKEL
- CONTACT AREA: GOLD FLASH
- SOLDER TAILS AREA: GOLD FLASH

3. ELECTRICAL:

- OPERATION VOLTAGE: 250 VAC max.
- CURRENT RATING: 3 A max.
- CONTACT RESISTANCE: 15 OHM max.
- INSULATION RESISTANCE: 3000 OHM min. @ 500 VDC
- DIELECTRIC WITHSTANDING VOLTAGE: 1000 VAC / MINUTE
- OPERATING TEMPERATURE: -55°C TO +105°C

4. CONNECTOR IS PART MARKED: PART-NO. CONEC ABC



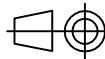
| Part NO. | No. of Pos. | A | B | C | D |
|------------|-------------|-------|-------|------|------|
| 301A10019X | 9 | 16.92 | 25.00 | 30.8 | 19.2 |
| 301A10029X | 15 | 25.25 | 33.30 | 39.2 | 27.7 |
| 301A10059X | 25 | 38.96 | 47.10 | 53.1 | 41.1 |
| 301A10069X | 37 | 55.42 | 63.50 | 69.4 | 57.3 |

Directive 2002/95/EC
RoHS
Compliant

THIS DRAWING MAY NOT BE COPIED OR REPRODUCED IN ANY WAY, AND MAY NOT BE PASSED ON TO A THIRD PARTY WITHOUT WRITTEN PERMISSION. OWNERSHIP AND COPYRIGHT OF CONEC GmbH DO NOT ALTER CAD DRAWING BY HAND

| rev. | description | date | name |
|-------|-------------|------------|-------|
| 6 x c | Ä3825 | 29.11.2010 | K.H. |
| 1 x b | Ä3486 | 09.11.09 | Sonne |
| a | Origin | | |

tolerance
 Ⓒ ANG. ±5°
 0. ±0.5
 .0 ±0.3
 .00 ±0.2



| 2001 | date | name |
|-------|-----------|-----------------|
| drawn | 25.09. | Parei |
| appd. | 25.09. | E. Mickenbecker |
| norm | DIN 41652 | |



| | | |
|-----------|--|--------|
| scale: | 2:1 | |
| material: | SEE NOTES | |
| title: | D-SUB MALE SOLDER CUP 9-37pos. with stamped contacts | |
| dwg no: | AutoCAD 2000 | DIN-A |
| | 16K1A306A | 4 |
| part no: | SEE TABLE | sh:1/2 |

F

E

D

C

B

A

F

E

D

C

B

A

Ⓒ

Ⓒ

Ⓒ

Ⓒ

Ⓒ

4

3

2

1