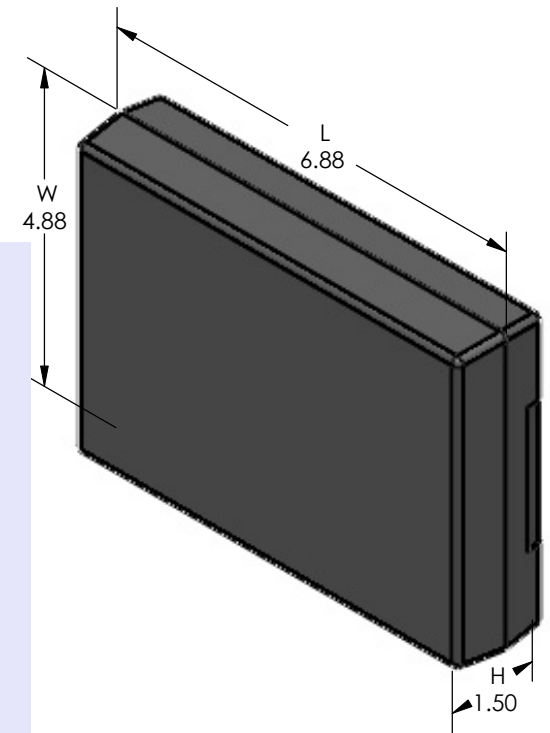
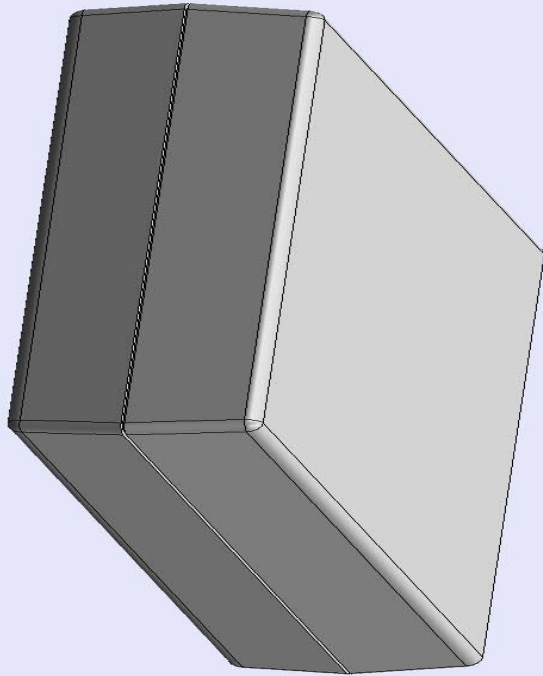


# SERPAC 271 (3D exploded)

Electronic Enclosures

- Click on image to show toolbar. Use ▶ || to Play/Pause Animation.
- Left click and drag on image to move 3D model.



- a) Zoom in & out with center wheel.
- b) Pause at any moment to view and or print views.
- c) Change the views to ortho and section views if needed from the Views pull down menu.
- d) Explore options included in the tool bar like: Views, Transparency of model, Lighting type, etc.

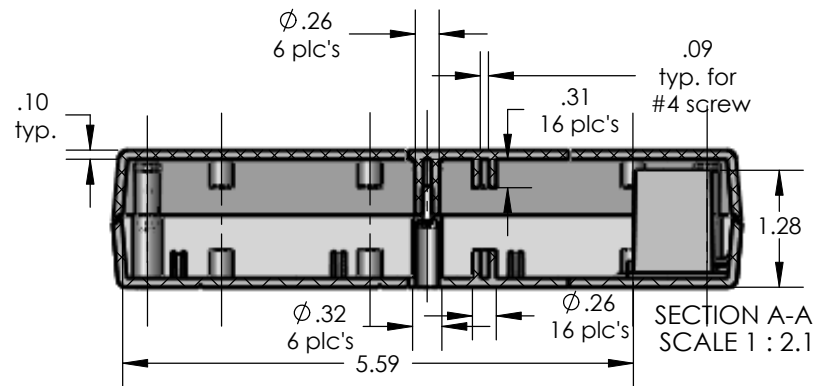
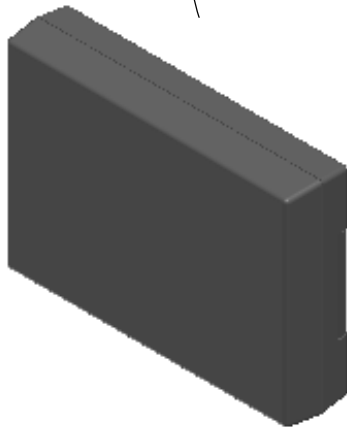
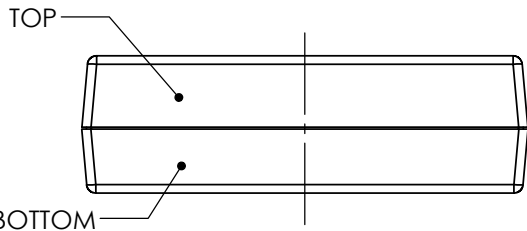
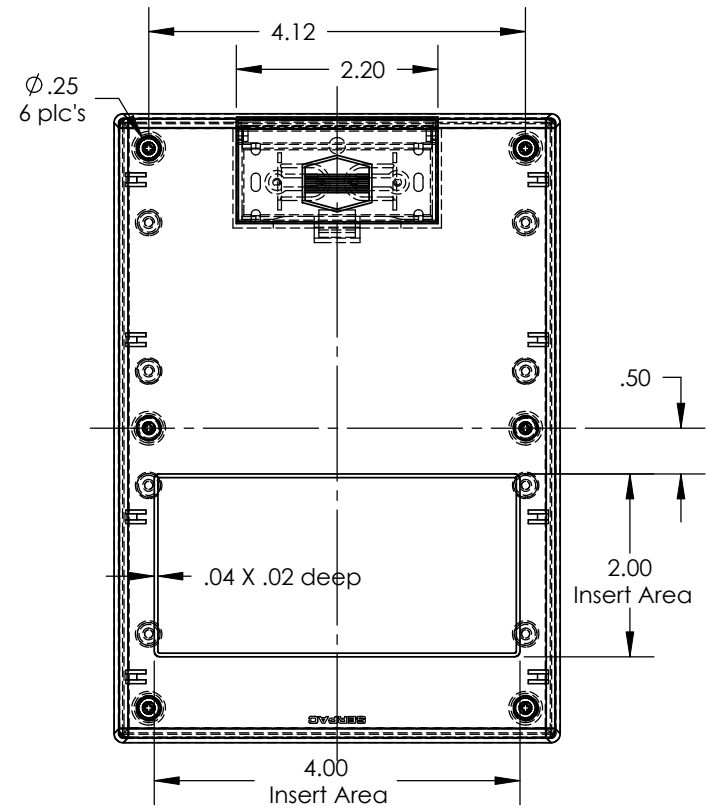
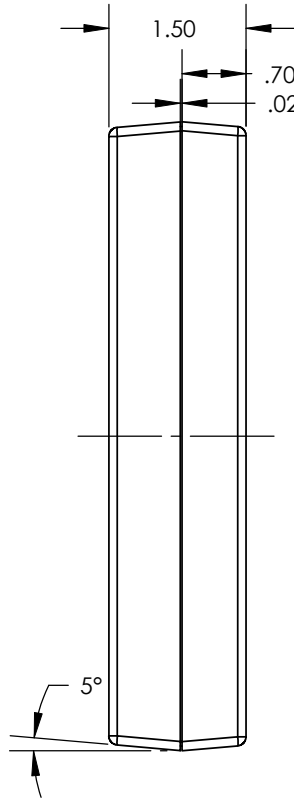
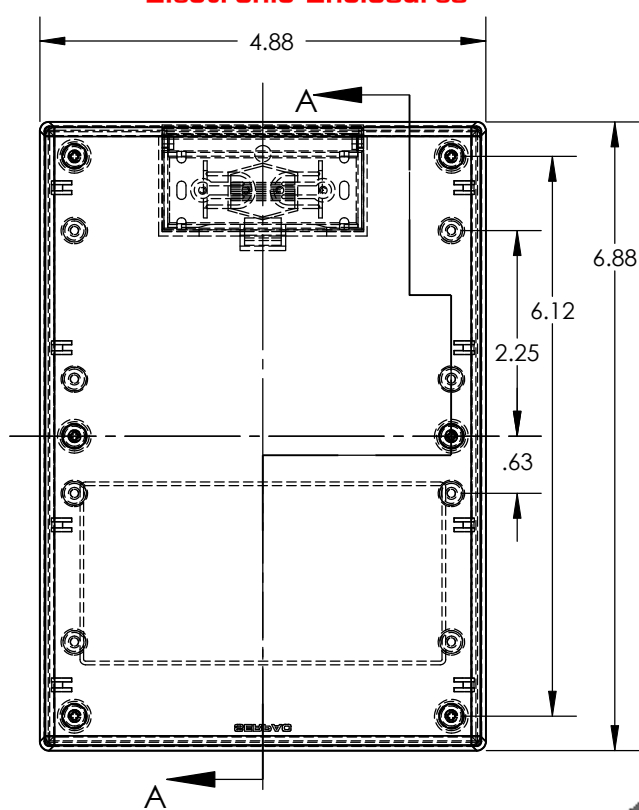
Notes: (Enclosure weight 0.41 lb / 187 gm)  
 1) Enclosure meets or exceeds IP40 and NEMA 1  
 2) Circuit Board drawings can be download at:  
<http://www.serpac.com/Accessories/CircuitBoard/drawings/379-479-cbg.pdf>  
 3) All components are RoHS Compliant.

PART NO.	DESCRIPTION (Included)	ACCESSORIES (Optional)	
7-1	TOP	PART NO.	DESCRIPTION
27	BOTTOM	379	Prototype grid board (bottom)
1025	Battery Cover	479	Prototype clad board (bottom)
6005	#4X3/8" Self tapping (6)	50	Non-skid feet

**ALL DIMENSIONS ARE ±.010" 4/13/10 (1 of 2)**  
**619 Commercial Ave. Covina, CA 91723**  
 Ph. (626) 331-0517 Fx. (626) 331-8584 [serpac.com](http://serpac.com)

# SERPAC 271 (user print)

Electronic Enclosures



PART NO.	DESCRIPTION (Included)	ACCESSORIES (Optional)	
7-1	TOP	PART NO.	DESCRIPTION
27	BOTTOM	379	Prototype grid board (bottom)
1025	Battery Cover	479	Prototype clad board (bottom)
6005	#4X3/8" self tapping (4)	50	Non-skid feet

Notes: (Enclosure weight 0.41 lb / 187 gm)  
 1) Enclosure meets or exceeds IP40 and NEMA 1  
 2) Circuit Board drawings can be download at:  
 Top: [http://www.serpac.com/Accessories/CircuitBoard/drawings/X73\\_CB.pdf](http://www.serpac.com/Accessories/CircuitBoard/drawings/X73_CB.pdf)  
 Bottom: <http://www.serpac.com/Accessories/CircuitBoard/drawings/379-479-cbg.pdf>  
 3) All components are RoHS Compliant.

**ALL DIMENSIONS ARE ± .010" 4/13/10 (2 of 2)**  
 619 Commercial Ave. Covina, CA 91723  
 Ph. (626) 331-0517 Fx. (626) 331-8584 [www.serpac.com](http://www.serpac.com)