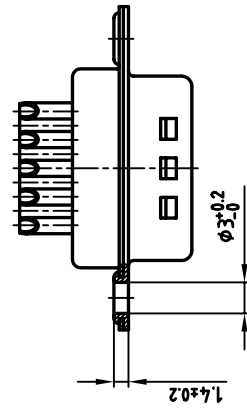
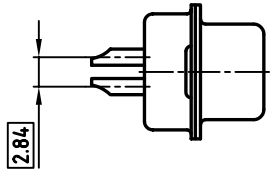
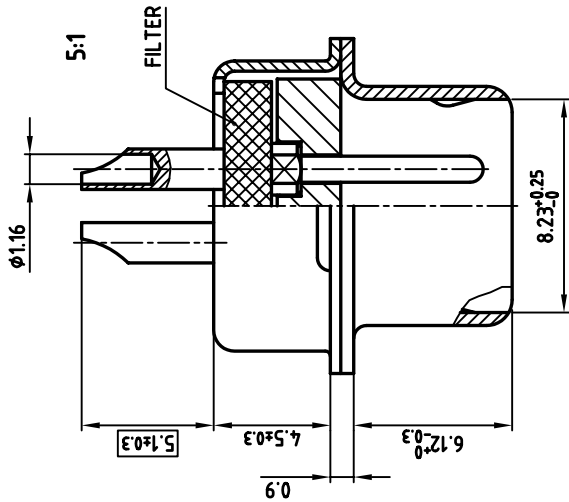
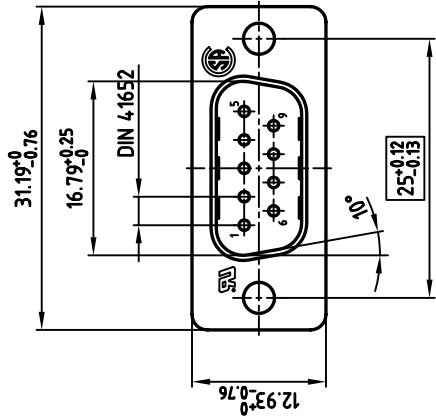


used for: D-SUB FILTER



**NOTES:**

1. METALSHELLS: STEEL; min. 320µ" TIN
2. INSULATORS: PBT GF UL 94 V-0, BLACK
3. CONTACTS: COPPER ALLOY
4. PLATING: min. 8µ" HARD GOLD OVER min. 50µ" NICKEL
5. SOLDER CUP: AWG 20
6. CAPACITANCE: 370pF ±20%
7.   = CRITICAL DIMENSION: SPC

THIS DRAWING MAY NOT BE COPIED OR REPRODUCED IN ANY WAY, AND MAY NOT BE PASSED ON TO A THIRD PARTY WITHOUT WRITTEN PERMISSION.  
 OWNERSHIP AND COPYRIGHT OF CONEC GMBH DO NOT ALTER CAD DRAWING BY HAND

rev.	description	date	name

tolerance		name	
2000	date	01.03.	E. Mickenbecker
drawn	01.03.	01.03.	A. Mickenbecker
appd.	norm	DIN 41652	
d-old			

scale: 2:1 (5:1)		material: SEE NOTES	
title: D-FILTER MALE 9pos. SOLDER CUP			
dwg no: 24K11EUA		CAD/ REL.14	DIN-A
product no: 241A26880X		3	sh: 1/1

