



PRODUCT NUMBER
20020626-XXXXXXLF

20020626-□ □ □ □ A 0 □ L F

PITCH
U : 10.16 mm

POLES
02 : 2 POLES
03 : 3 POLES
04 : 4 POLES
08 : 08 POLES

LF : DENOTED RoHS COMPATIBLE

1 : STANDARD PRODUCT
W/ BOX PACKING

HOUSING CODE

CODE	COLOR	AVAILABILITY
1	GREEN(RAL 6018/T)	STANDARD
2	BLACK	ON REQUEST ONLY
3	GREY(RAL 7004/P)	ON REQUEST ONLY
4	BLUE(RAL 5015/A)	ON REQUEST ONLY

PROPERTY TABLE	
FCI SERIES NAME	29-1016
PITCH (mm)	10.16
VOLTAGE RATING (VAC)	300
CURRENT RATING (A)	55
WITHSTANDING VOLTAGE (kV)	1.6
OPERATING TEMP. (°C)	-40~+115
SOLDERING TEMP. (°C)	250±10 (5 sec.)
POLES AVAILABLE	02~08
SAFETY CERTIFICATE	

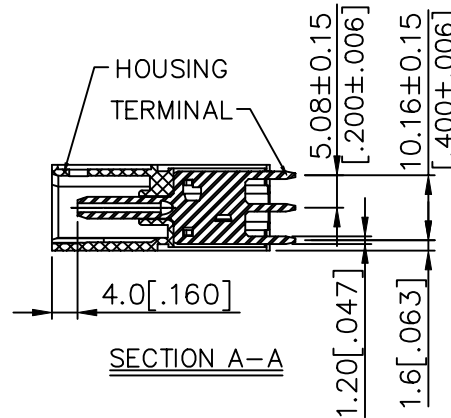
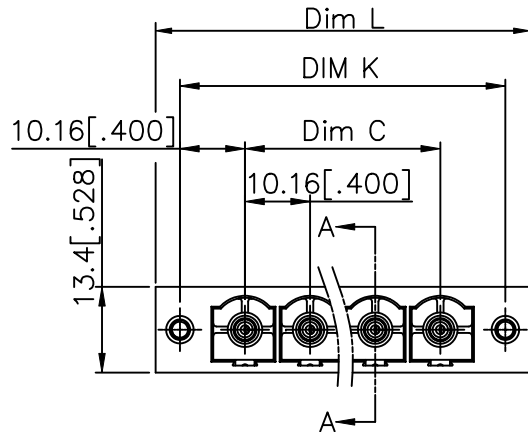
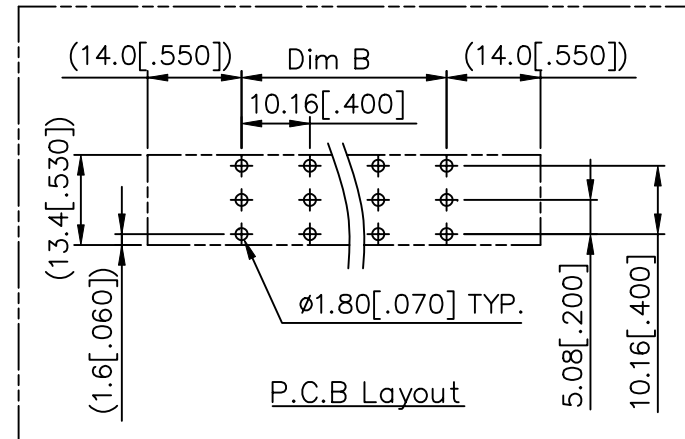
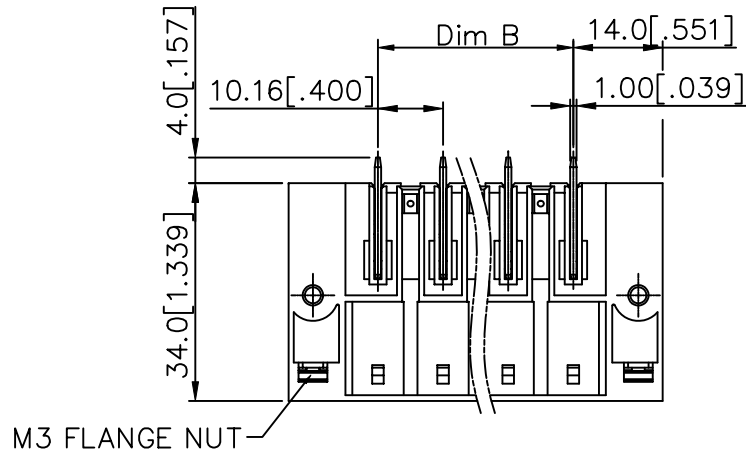
NOTES:

- MATERIALS
1-1 HOUSING: THERMALPLASTIC RESIN, UL 94V-0 RATED.
1-2 TERMINAL: COPPER ALLOY, GOLD PLATED.
- PRODUCTION SPECIFICATION REFER TO FCI GS-12-625.
- BOXED PACKAGING.
DETAILED PRODUCT PACKING SPECIFICATION REFER TO FCI GS-14-1394.
- FCI, SAFETY CERTIFICATE LOGO AND SERIES NAME TO BE SHOWN ON PRODUCT SURFACE.
- THE PRODUCTS WHERE THE PART NUMBER END IN "LF" MEET THE EUROPEAN UNION DIRECTIVE AND OTHER COUNTRY REGULATIONS AS DESCRIBED IN GS-22-008.
- RECOMENDED SOLDERING PROCESS BY WAVE SOLDER.

mat'l. code		surface ASME Y14.5		tolerance ASME Y14.5		projection 		product family TERMINAL BLOCK	
ltr		ecn no		dr		date		title	
A		T10-0160		WL		101210		TERMINAL BLOCK	
B		T10-0187		WL		121410		PLUGGABLE SOCKET, POWER, W/FLANGE	
C		T-005285		WL		082311		STRAIGHT	
				dr		WENDY CHEN 093010		sheet 1 of 2	
				enr		JASON HSU 093010		20020626	
				chr		JASON HSU 093010		A4	
				appd		JASON HSU 093010		CUSTOMER Drawing	
sheet index		revision sheet		C		C			
				1		2			



PRODUCT NUMBER	SERIES NAME	PITCH
20020626-UXXXXXL	29-1016	10.16 mm



DIMENSION:

Dim L	$N * 10.16 [.400] + 17.76 [.699]$
Dim B	$(N - 1) * 10.16 [.400]$
Dim C	$(N - 1) * 10.16 [.400]$
Dim K	$(N + 1) * 10.16 [.400]$

N=Number of contacts

Poles	Tolerance
2p-3p	$\pm 0.15 [.006]$
4p-6p	$\pm 0.25 [.010]$
7p-8p	$\pm 0.35 [.014]$

mat'l. code		surface ASME Y14.5	tolerance ASME Y14.5	projection 	product family TERMINAL BLOCK	
ltr	ecn no dr	date		tolerances unless otherwise specified	title	
c		angles in	$X \pm 0.5$	MM [INCH]	TERMINAL BLOCK PLUGGABLE SOCKET, POWER, W/FLANGE STRAIGHT	
		$X \pm 1$	$X.XX \pm 0.1$	scale	sheet 2 of 2 size	
		dr	WENDY CHEN 093010		20020626	
		enr	JASON HSU 093010		A4	
		chr	JASON HSU 093010		type	CUSTOMER Drawing
		appd	JASON HSU 093010			
sheet index	revision sheet					