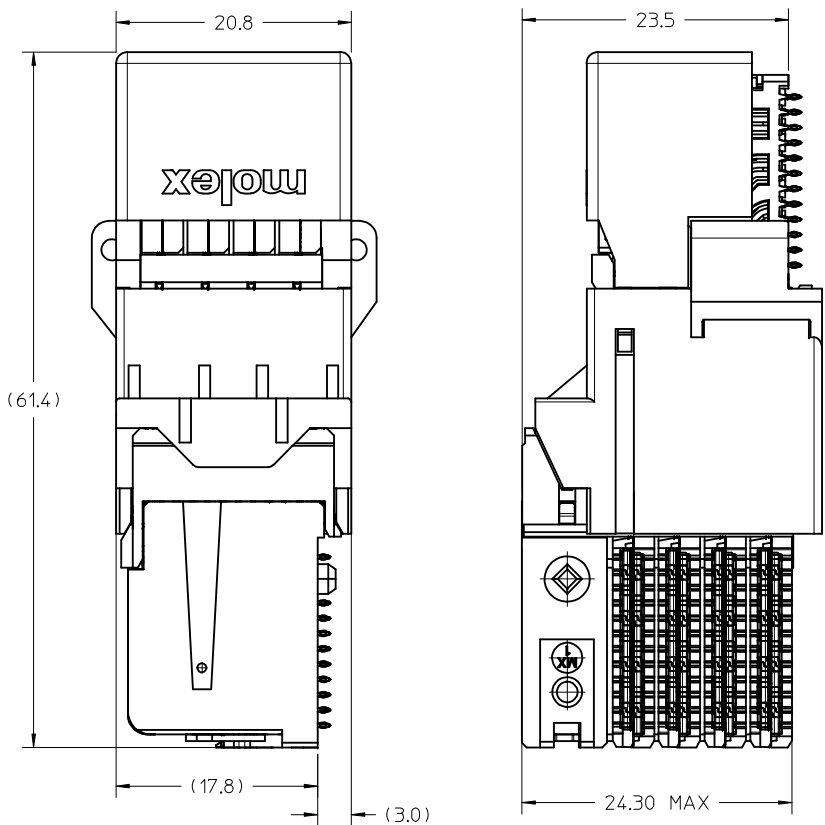


OD-RAM HOLE PATTERN  
(CONNECTOR SIDE)

<b>P/N TABLE MOVE</b> EC NO: UCP2014-4310 DRWN: B. MILLER 2014/04/11 CHKD: APPR: TELO 2014/04/21 REV: B1	<b>QUALITY SYMBOLS</b> ▽=0 ▽=0	<b>GENERAL TOLERANCES (UNLESS SPECIFIED)</b>		<b>DIMENSION STYLE</b> MM ONLY	<b>SCALE</b> 3:1	<b>DESIGN UNITS</b> METRIC	THIRD ANGLE PROJECTION		
		4 PLACES ± --- ± --- 3 PLACES ± --- ± --- 2 PLACES ± 0.13 ± --- 1 PLACE ± 0.25 ± ---	mm INCH ± --- ± --- ± 0.13 ± --- ± 0.25 ± ---	DRAWN BY JMENDOZA	DATE 2012/04/13	TITLE IMPACT ORTHOGONAL DIRECT 4 PAIR RAM 90 & 270 ASSY TOP GUIDE SALES DRAWING	<b>MOLEX INCORPORATED</b>		
		ANGULAR ± 1/2°		CHECKED BY TELO	DATE 2012/06/08	APPROVED BY TELO	DATE 2013/12/26	DOCUMENT NO. SD-171574-0002	SHEET NO. 1 OF 4
		DRAFT WHERE APPLICABLE MUST REMAIN WITHIN DIMENSIONS		MATERIAL NO. SEE CHART	THIS DRAWING CONTAINS INFORMATION THAT IS PROPRIETARY TO MOLEX INCORPORATED AND SHOULD NOT BE USED WITHOUT WRITTEN PERMISSION				



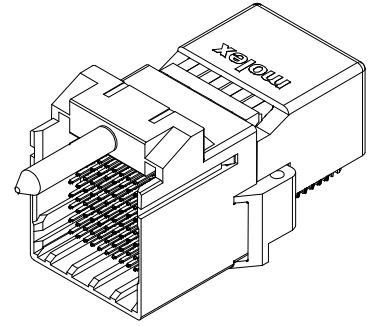
171574-78\*\*

MODULE TYPE ——— 7 = TOP GUIDED, TIN

# OF COLUMNS ——— 8 = 8 COLUMN

PIN LENGTH (P)  
 4 = 4.90 (0.46 PTH)  
 5 = 5.50 (0.46 PTH)  
 7 = 4.90 (0.39 PTH)  
 8 = 5.50 (0.39 PTH)

MATE POSITION  
 0 = 90 DEGREE  
 3 = 270 DEGREE

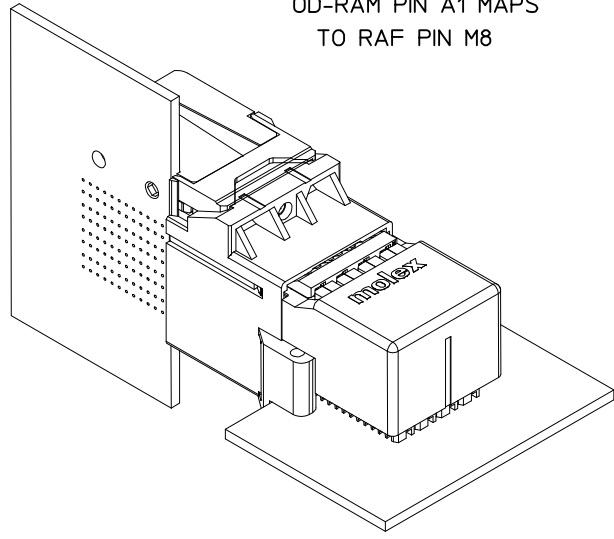


**MATED DIMENSIONS**  
(POSITION 90° SHOWN)

- NOTES:
1. MATERIALS: HOUSING - LIQUID CRYSTAL POLYMER (LCP)  
GLASS-FILLED, UL94V-0  
TERMINALS - HIGH PERFORMANCE COPPER ALLOY
  2. FINISH: 30μ MIN GOLD IN CONTACT AREA.  
SELECTIVE TIN ON PCB TAILS.  
NICKEL OVERALL.
  3. REFER TO MOLEX PRODUCT SPECIFICATION PS-76060-999  
FOR PERFORMANCE SPECIFICATIONS AND ADDITIONAL PCB INFORMATION.
  4. THIS PART CONFORMS TO CLASS B REQUIREMENTS OF  
COSMETIC SPEC PS-45499-002.
  5. PACKAGE PER: PK-70873-8020.
  6. SEE SHEET 3 FOR ORTHOGONAL PIN MAPPING.
  7. REFER TO SHEET 3 AND 4 FOR THE MATING RECEPTACLES.
  8. REFER TO MOLEX ROUTING GUIDE AS-76850-990 FOR ADDITIONAL PCB LAYOUT  
AND ROUTING RECOMMENDATIONS.
  9. CONNECTORS ARE SUPPLIED WITH TWO 2-32 THREAD FORMING  
SCREWS.
  - 10.\*THESE DIMENSIONS REPRESENT THE AREA NEEDED TO ACCOMODATE CONNECTOR  
INSERTION AND REPAIR ON THE PC BOARD. THIS IS REFERED TO AS THE  
"CONNECTOR KEEP OUT ZONE" AND DOES NOT REPRESENT THE ACTUAL PERIMETER  
OF THE CONNECTOR.\*

SEE SHEET 1 EC NO: UCP2014-4310 DRWNB: MILLER 2014/04/11 CHKD: TELLO APPR: TELLO	DESCRIPTION 2014/04/21	QUALITY SYMBOLS	GENERAL TOLERANCES (UNLESS SPECIFIED)		DIMENSION STYLE	SCALE	DESIGN UNITS	THIRD ANGLE PROJECTION		
		$\nabla=0$ $\nabla=0$	mm	INCH	MM ONLY	3:1	METRIC	TITLE <b>IMPACT ORTHOGONAL DIRECT          4 PAIR RAM 90 &amp; 270 ASSY          TOP GUIDE SALES DRAWING</b>		
		4 PLACES ± --- ± --- 3 PLACES ± --- ± --- 2 PLACES ± 0.13 ± --- 1 PLACE ± 0.25 ± --- ANGULAR ± 1/2°	DRAWN BY DATE JMENDOZA 2012/04/13		CHECKED BY DATE TELO 2012/06/08					
		DRAFT WHERE APPLICABLE MUST REMAIN WITHIN DIMENSIONS		APPROVED BY DATE TELLO 2013/12/26		MATERIAL NO. <b>SEE CHART</b>		DOCUMENT NO. <b>SD-171574-0002</b>		SHEET NO. 2 OF 4

ORTHO POSITION 90°  
OD-RAM PIN A1 MAPS  
TO RAF PIN M8



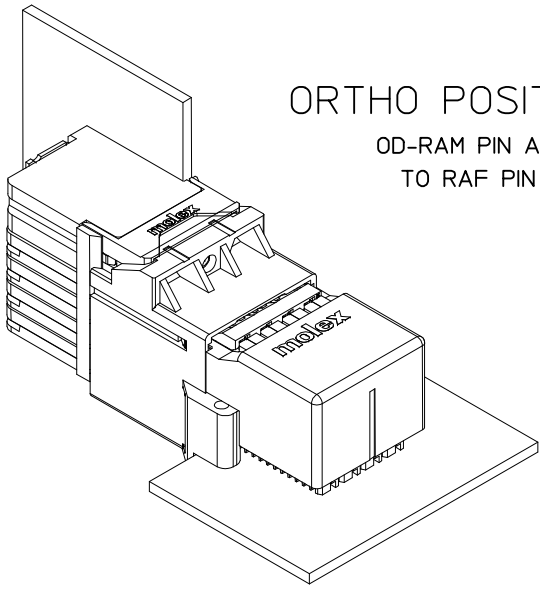
REFER TO MOLEX SALES DRAWING SD-76850-002  
FOR MATING RECEPTACLES.

ORTHO PIN MAPPING							
POSITION 90° (OD RAM - RAF)							
(A1-M8)	A2-L8	(A3-J8)	A4-H8	(A5-F8)	A6-E8	(A7-C8)	A8-B8
B1-M7	B2-K8	B3-J7	B4-G8	B5-F7	B6-D8	B7-C7	B8-A8
C1-L7	(C2-K7)	C3-H7	(C4-G7)	C5-E7	(C6-D7)	C7-B7	(C8-A7)
(D1-M6)	D2-L6	(D3-J6)	D4-H6	(D5-F6)	D6-E6	(D7-C6)	D8-B6
E1-M5	E2-K6	E3-J5	E4-G6	E5-F5	E6-D6	E7-C5	E8-A6
F1-L5	(F2-K5)	F3-H5	(F4-G5)	F5-E5	(F6-D5)	F7-B5	(F8-A5)
(G1-M4)	G2-L4	(G3-J4)	G4-H4	(G5-F4)	G6-E4	(G7-C4)	G8-B4
H1-M3	H2-K4	H3-J3	H4-G4	H5-F3	H6-D4	H7-C3	H8-A4
J1-L3	(J2-K3)	J3-H3	(J4-G3)	J5-E3	(J6-D3)	J7-B3	(J8-A3)
(K1-M2)	K2-L2	(K3-J2)	K4-H2	(K5-F2)	K6-E2	(K7-C2)	K8-B2
L1-M1	L2-K2	L3-J1	L4-G2	L5-F1	L6-D2	L7-C1	L8-A2
M1-L1	(M2-K1)	M3-H1	(M4-G1)	M5-E1	(M6-D1)	M7-B1	(M8-A1)

NOTE: PINOUTS SHOWN IN BALLOONS ARE GROUNDS.  
GROUND PATHS ARE NOT DISCRETE CIRCUITS.

MATERIAL NUMBER	# OF COLUMNS	# OF DIFF PAIR	MATE POSITION	DIM P	PTH $\phi$
171574-7804	8	32	90	4.90	0.46±0.05
171574-7805	8	32	90	5.50	0.46±0.05
171574-7807	8	32	90	4.90	0.39±0.05
171574-7808	8	32	90	5.50	0.39±0.05

SEE SHEET 1 EC NO: UCP2014-4310 DRWN: B. MILLER 2014/04/11 CHKD: APPR: TELO 2014/04/21 DESCRIPTION	QUALITY SYMBOLS	GENERAL TOLERANCES (UNLESS SPECIFIED)	DIMENSION STYLE	SCALE	DESIGN UNITS	THIRD ANGLE PROJECTION
	$\nabla=0$ $\nabla=0$	mm INCH	MM ONLY	2:1	METRIC	
		4 PLACES ± --- ± ---	DRAWN BY DATE	TITLE		
		3 PLACES ± --- ± ---	JMENDOZA 2012/04/13	IMPACT ORTHOGONAL DIRECT		
	2 PLACES ± 0.13 ± ---	CHECKED BY DATE	4 PAIR RAM 90 & 270 ASSY			
	1 PLACE ± 0.25 ± ---	TELO 2012/06/08	TOP GUIDE SALES DRAWING			
	ANGULAR ± 1/2°	APPROVED BY DATE	MOLEX MOLEX INCORPORATED			
		TELO 2013/12/26	MATERIAL NO.	DOCUMENT NO.	SHEET NO.	
			SEE CHART	SD-171574-0002	3 OF 4	
		DRAFT WHERE APPLICABLE MUST REMAIN WITHIN DIMENSIONS	THIS DRAWING CONTAINS INFORMATION THAT IS PROPRIETARY TO MOLEX INCORPORATED AND SHOULD NOT BE USED WITHOUT WRITTEN PERMISSION			



ORTHO POSITION 270°  
 OD-RAM PIN A1 MAPS  
 TO RAF PIN A1

REFER TO MOLEX SALES DRAWING SD-76850-004  
 FOR MATING RECEPTACLES.

ORTHO PIN MAPPING							
POSITION 270° (OD RAM - RAF)							
(A1-A1)	A2-B1	(A3-D1)	A4-E1	(A5-G1)	A6-H1	(A7-K1)	A8-L1
B1-A2	B2-C1	B3-D2	B4-F1	B5-G2	B6-J1	B7-K2	B8-M1
C1-B2	(C2-C2)	C3-E2	(C4-F2)	C5-H2	(C6-J2)	C7-L2	(C8-M2)
(D1-A3)	D2-B3	(D3-D3)	D4-E3	(D5-G3)	D6-H3	(D7-K3)	D8-L3
E1-A4	E2-C3	E3-D4	E4-F3	E5-G4	E6-J3	E7-K4	E8-M3
F1-B4	(F2-C4)	F3-E4	(F4-F4)	F5-H4	(F6-J4)	F7-L4	(F8-M4)
(G1-A5)	G2-B5	(G3-D5)	G4-E5	(G5-G5)	G6-H5	(G7-K5)	G8-L5
H1-A6	H2-C5	H3-D6	H4-F5	H5-G6	H6-J5	H7-K6	H8-M5
J1-B6	(J2-C6)	J3-E6	(J4-F6)	J5-H6	(J6-J6)	J7-L6	(J8-M6)
(K1-A7)	K2-B7	(K3-D7)	K4-E7	(K5-G7)	K6-H7	(K7-K7)	K8-L7
L1-A8	L2-C7	L3-D8	L4-F7	L5-G8	L6-J7	L7-K8	L8-M7
M1-B8	(M2-C8)	M3-E8	(M4-F8)	M5-H8	(M6-J8)	M7-L8	(M8-M8)

NOTE: PINOUTS SHOWN IN BALLOONS ARE GROUNDS.  
 GROUND PATHS ARE NOT DISCRETE CIRCUITS.

MATERIAL NUMBER	# OF COLUMNS	# OF DIFF PAIR	MATE POSITION	DIM P	PTH $\phi$
171574-7834	8	32	270	4.90	0.46±0.05
171574-7835	8	32	270	5.50	0.46±0.05
171574-7837	8	32	270	4.90	0.39±0.05
171574-7838	8	32	270	5.50	0.39±0.05

SEE SHEET 1 EC NO: UCP2014-4310 DRWN: B. MILLER 2014/04/11 CHKD: APPR: TELO 2014/04/21 REV: B1	QUALITY SYMBOLS ▽=0 ▽=0 ▽=0	GENERAL TOLERANCES (UNLESS SPECIFIED) <table border="1"> <tr> <th></th> <th>mm</th> <th>INCH</th> </tr> <tr> <td>4 PLACES</td> <td>± ---</td> <td>± ---</td> </tr> <tr> <td>3 PLACES</td> <td>± ---</td> <td>± ---</td> </tr> <tr> <td>2 PLACES</td> <td>± 0.13</td> <td>± ---</td> </tr> <tr> <td>1 PLACE</td> <td>± 0.25</td> <td>± ---</td> </tr> <tr> <td>0 PLACE</td> <td>±</td> <td>±</td> </tr> </table>		mm	INCH	4 PLACES	± ---	± ---	3 PLACES	± ---	± ---	2 PLACES	± 0.13	± ---	1 PLACE	± 0.25	± ---	0 PLACE	±	±	DIMENSION STYLE <b>MM ONLY</b> DRAWN BY: JMENDOZA DATE: 2012/04/13 CHECKED BY: TELO DATE: 2012/06/08 APPROVED BY: TELO DATE: 2013/12/26	SCALE: 2:1 DESIGN UNITS: METRIC THIRD ANGLE PROJECTION	TITLE: IMPACT ORTHOGONAL DIRECT 4 PAIR RAM 90 & 270 ASSY TOP GUIDE SALES DRAWING <b>molex</b>
		mm	INCH																				
	4 PLACES	± ---	± ---																				
	3 PLACES	± ---	± ---																				
2 PLACES	± 0.13	± ---																					
1 PLACE	± 0.25	± ---																					
0 PLACE	±	±																					
ANGULAR ±1/2° DRAFT WHERE APPLICABLE MUST REMAIN WITHIN DIMENSIONS		MATERIAL NO.: SEE CHART DOCUMENT NO.: SD-171574-0002 SHEET NO.: 4 OF 4	THIS DRAWING CONTAINS INFORMATION THAT IS PROPRIETARY TO MOLEX INCORPORATED AND SHOULD NOT BE USED WITHOUT WRITTEN PERMISSION																				