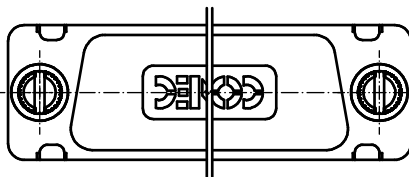
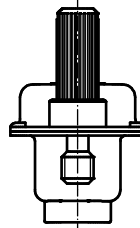
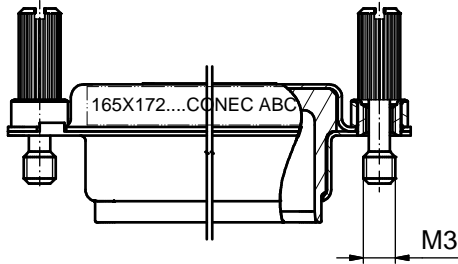
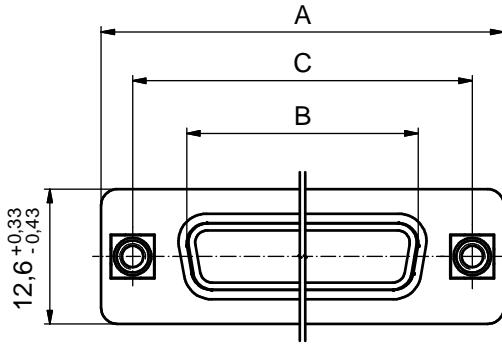
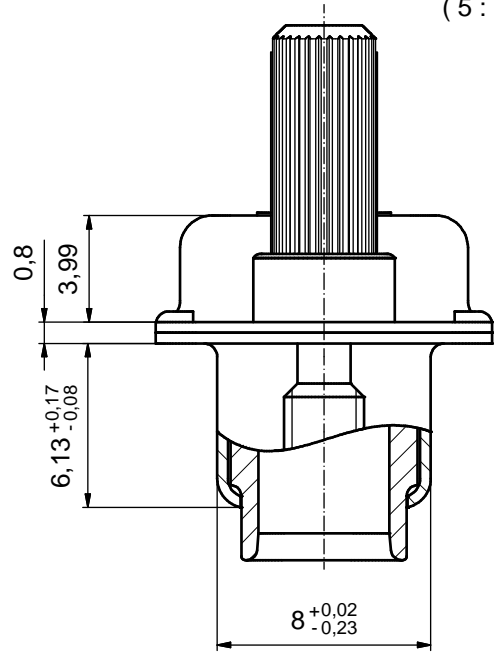


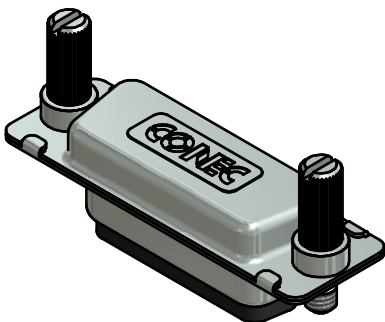
No. of pos.	A <sub>-0,76</sub>	B <sub>+0,25</sub>	C	Part-No. Bulk package	Part-No. Single package
9	31,19	16,46	25,00 <sup>+0,12</sup> <sub>-0,13</sub>	165X17259X	165X17259XE
15	39,52	24,79	33,30 <sup>+0,15</sup> <sub>-0,1</sub>	165X17269X	165X17269XE
25	53,42	38,50	47,04 <sub>±0,13</sub>	165X17279X	165X17279XE
37	69,70	54,96	63,50 <sub>±0,13</sub>	165X17289X	165X17289XE
50	67,31	52,55	61,10 <sup>+0,14</sup> <sub>-0,11</sub>	165X17299X	165X17299XE

(5:1)



NOTES:

- METALSHELLS: COPPER ALLOY; min. 315µin TIN over 40-80µin NICKEL
- INSULATOR: TPE
- THREADED INSERTS: BRASS
- SCREWS: STEEL; NICKEL PLATED
- CONNECTOR IS PART MARKED: [PART NO. CONEC ABC]



Directive 2002/95/EC RoHS compliant

THIS DRAWING MAY NOT BE COPIED OR REPRODUCED IN ANY WAY, AND MAY NOT BE PASSED ON TO A THIRD PARTY WITHOUT WRITTEN PERMISSION. OWNERSHIP AND COPYRIGHT OF CONEC GmbH DO NOT ALTER CAD DRAWING BY HAND	tolerance			dim. in mm	scale: 2:1 (5:1)
	material: SEE NOTES				
	date	name		title:	
	drawn	29.06.11	Henneboel		HOOD 9-50pos.
	appd.	29.06.11	Fischer		WATER RESISTANT AND SHIELDED; FOR EMI/RFI for plug connector, with jack screws
	norm	DIN 41652			dwg no:
	d-old				DIN-A3
a	Original			16K1A2841	
rev.	description			date	name
					sh: 1