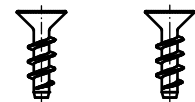
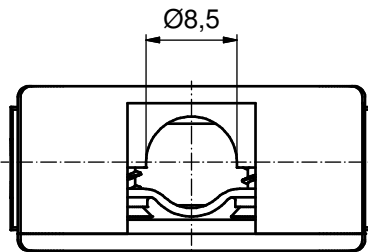
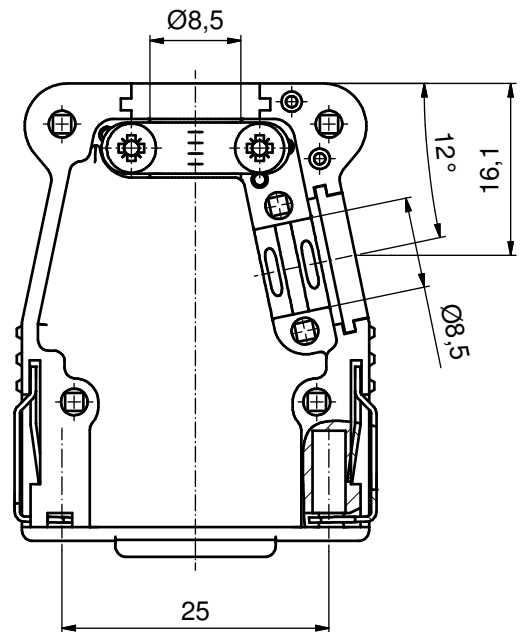


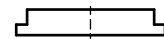
view without cover  
(2 : 1)



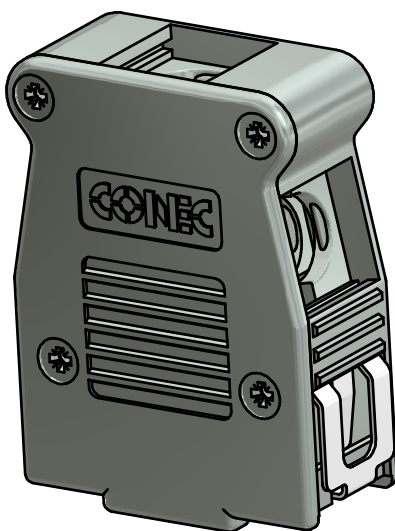
COUNTERSUNK HEAD SCREWS  
(6x)



CABLE STRAIN RELIEF



BLANKING PLUG



Part-No.	Part-No.
Bulk package	Single package
16-001750	16-001750E

**HOOD ASSEMBLY CONSISTS OF:**

1. HOOD + COVER: ABS UL 94 V-0; NICKEL PLATED
2. BLANKING PLUGS: ABS UL 94 V-0; NICKEL PLATED
3. CABLE STRAIN RELIEF: STEEL; NICKEL PLATED
4. CLIP: STAINLESS STEEL
5. COUNTERSUNK HEAD SCREWS: STEEL; NICKEL PLATED

RoHS compliant

THIS DRAWING MAY NOT BE COPIED OR REPRODUCED IN ANY WAY, AND MAY NOT BE PASSED ON TO A THIRD PARTY WITHOUT WRITTEN PERMISSION. OWNERSHIP AND COPYRIGHT OF CONEC GmbH DO NOT ALTER CAD DRAWING BY HAND	tolerance			dim. in mm	scale: 2:1	
					material: see drawing	
				date	name	
				drawn	24.09.14	Henneboel
				appd.	24.09.14	Strakerjahn
			norm		title: <b>Plastic Hood 9pos</b> with Snap Lock / top and side cable exit	
			d-old			
2 x b	A5619	21.04.2015	K.H.	dwg no:		DIN-A3 sh: 1
a	Original			<b>16K1A3529</b>		
rev.	description	date	name			part no: (b) SEE TABLE