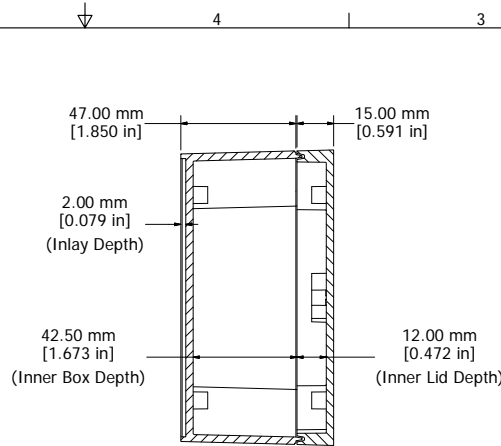
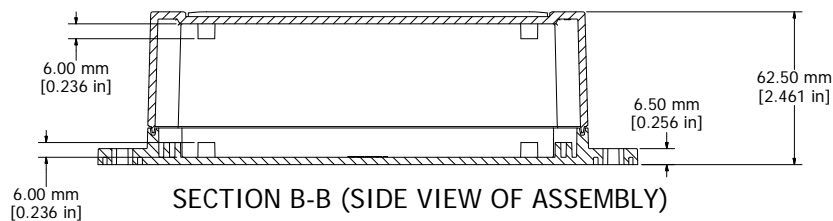
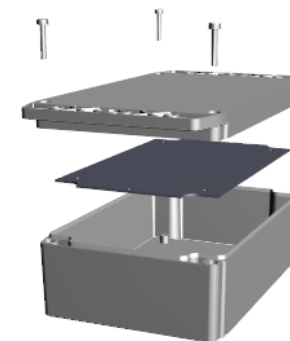


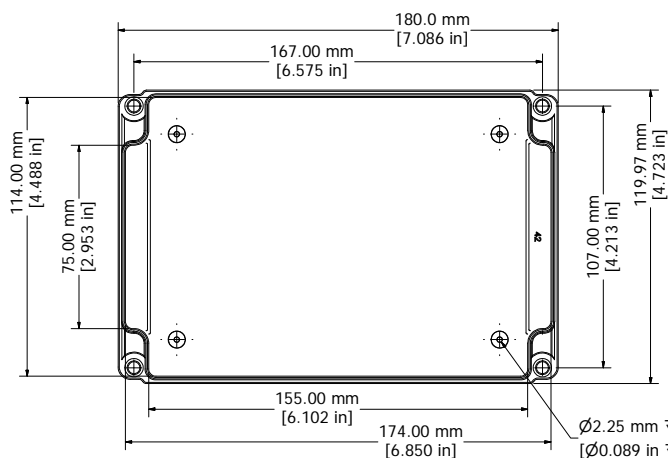
ENCLOSURE ASSEMBLY TOP VIEW



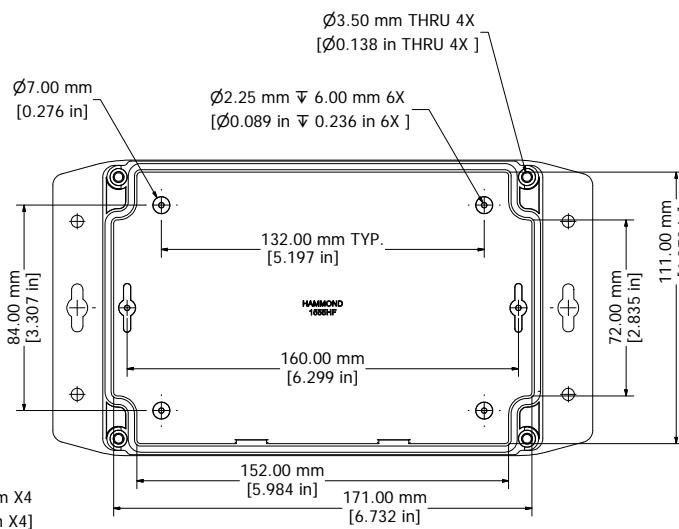
SECTION A-A
END VIEW OF ASSEMBLY



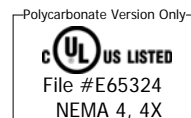
SECTION B-B (SIDE VIEW OF ASSEMBLY)



BOX INSIDE VIEW



FLANGED LID INSIDE VIEW



Enclosures can be Factory Modified (Milling, Drilling, Printing etc.)
Solid models of this enclosure available in STEP or IGES.
Contact Factory mjm@hammondmg.com

NOTE

Purchased assembly includes styled box, flanged lid, 4 cover screws, and preformed silicone gasket.
General Purpose ABS version is not UL approved. (Matl UL94 - HB)
Polycarbonate version is UL 508 approved. (Matl UL94 - V0)
Recommended Cover screw torque -- 2.5 lbf-in (30 cN-m)

1555HF	
1555HF Regular Enclosure	
General Purpose ABS RAL-7035	1555HF42GY
Polycarbonate RAL-7035	1555H2F42GY
ACCESSORIES	
Steel Inner Panels	1555HFPL
Steel Panel / P.C. Board Self Tapping Screw [#6 X 1/4" (6.4mm) Plated]	1598AT5100
Cover Screws (Pkg 4) [M4 X 20mm Stainless Steel]	SC1554

