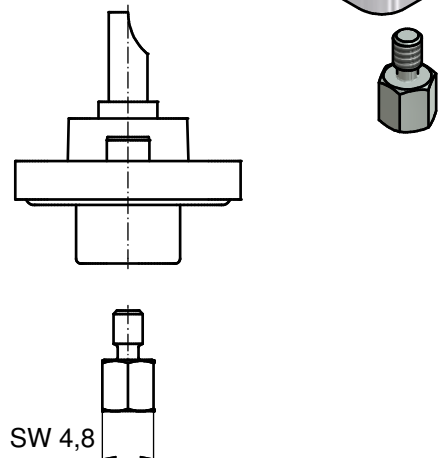
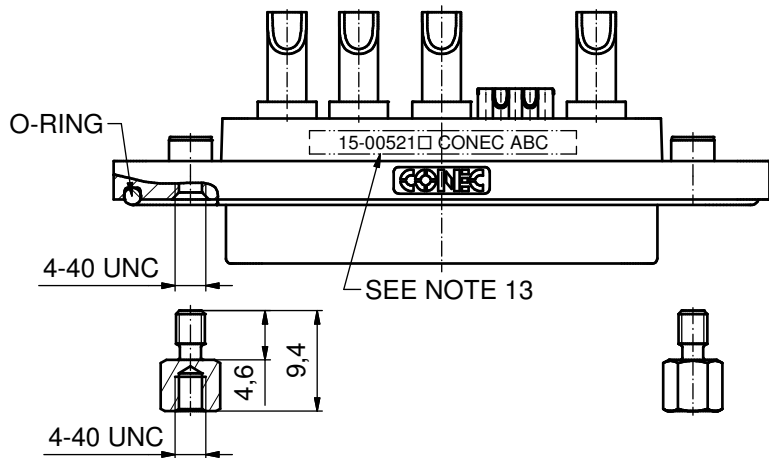
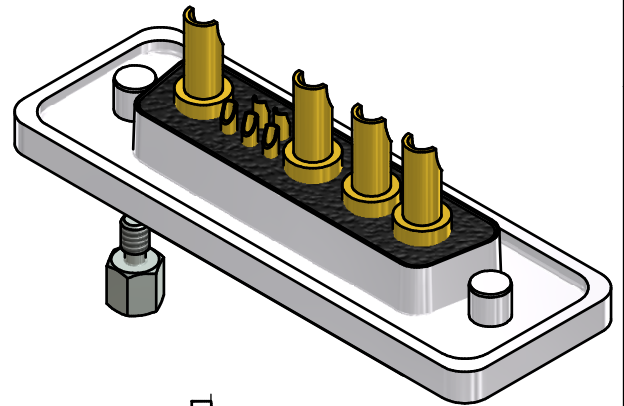
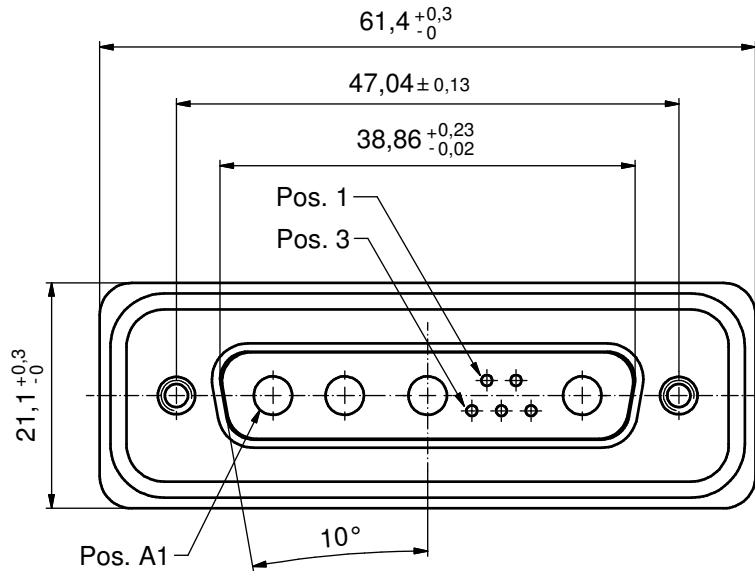
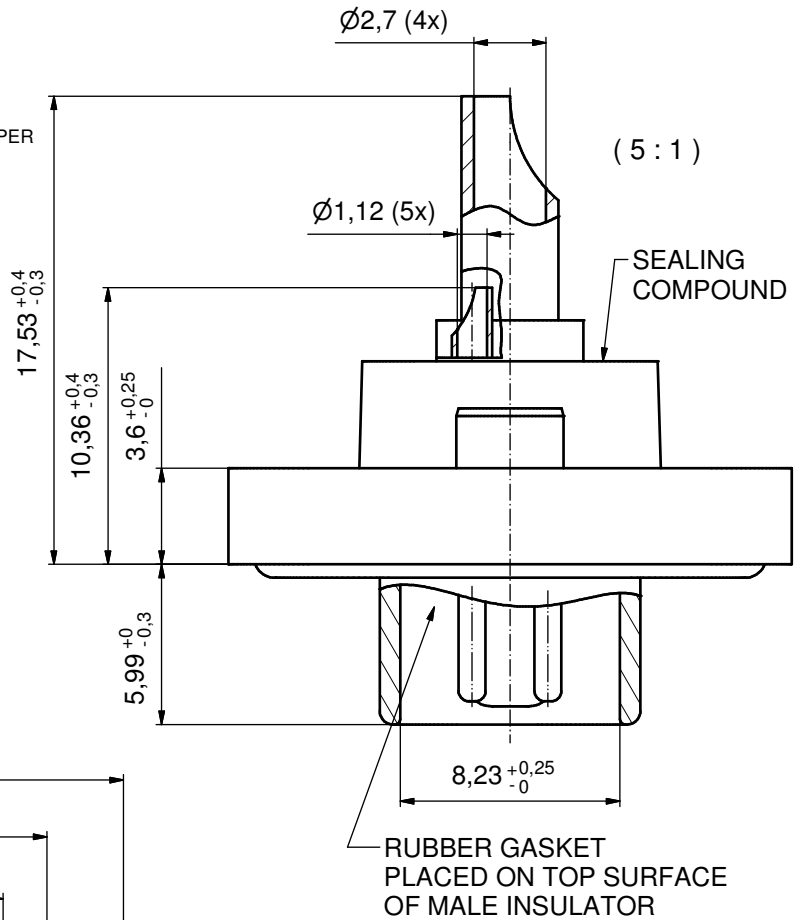


NOTES:

1. RECOMMENDED SOLDER INSTRUCTION SEE SHEET 2
2. IP RATING: IP 67
3. SEALED TO WITHSTAND PRESSURE UP TO 1,45 PSI FOR 30 MINUTES AFTER SOLDERING
4. METAL SHELL: ZINC DIE CAST; min. 50µin NICKEL PLATING over COPPER
5. INSULATORS: PBT GF UL 94 V-0, GREEN
6. O-RING: SILICONE PER ASTM D2000 70 SHORE A
7. SEALING COMPOUND: EPOXY RESIN UL 94 V-0; BLACK
8. SIGNAL CONTACTS: COPPER ALLOY
PLATING (SEE PART NO):
30µin HARD GOLD over min. 50µin NICKEL if 1□ in PART NO.
GOLD FLASH over NICKEL if 3□ in PART NO.
SOLDER CUP ACCEPTS CABLE AWG 20
9. HIGH POWER CONTACTS 20A: COPPER ALLOY;
PLATING MATING SIDE (SEE PART NO):
□ PLEASE ADD 1 for 30µin HARD GOLD over min. 50µin NICKEL
□ PLEASE ADD 3 for GOLD FLASH over NICKEL
PLATING TERMINATION SIDE: GOLD FLASH over NICKEL
SOLDER CUP ACCEPTS CABLE AWG 12-14
10. HEXLOCKING SCREWS. STAINLESS STEEL
11. RECOMMENDED PANEL CUT-OUT ON SHEET 2
12. RECOMMENDED TORQUE FOR MOUNTING SCREW
35Ncm (3.1 in.LB) / max.67Ncm (6 in.LB)
13. CONNECTOR IS PART MARKED: 15-00521□ CONEC ABC



AT ALL TIMES WATER RESISTANT CONNECTORS NOT IN USE SHOULD BE COVERED WITH A CONEC WATER RESISTANT CAP OR WATER TIGHT HOOD

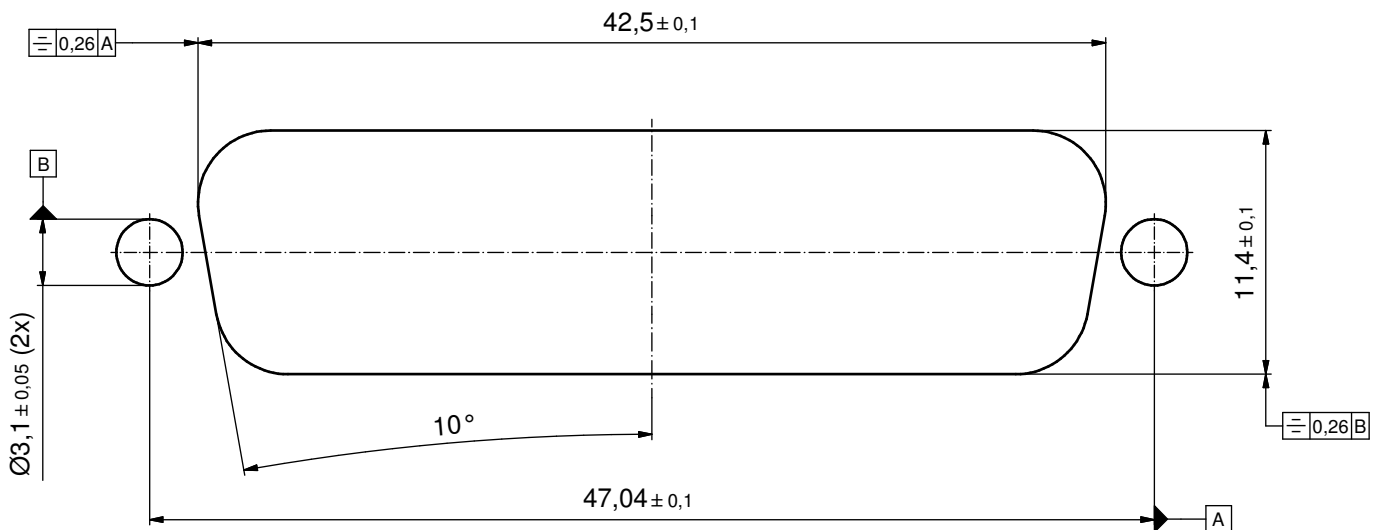
Directive 2002/95/EC RoHS compliant

| | | | | | | |
|---|-------------|------|--------------------------|---------------------------------|------------------------|--|
| THIS DRAWING MAY NOT BE COPIED OR REPRODUCED IN ANY WAY, AND MAY NOT BE PASSED ON TO A THIRD PARTY WITHOUT WRITTEN PERMISSION. OWNERSHIP AND COPYRIGHT OF CONEC GmbH DO NOT ALTER CAD DRAWING BY HAND | tolerance | | dim. in mm | | scale: 2:1 (5:1) | |
| | | | | | material: SEE NOTES | |
| | | | | | title: | |
| | | | date | | D-SUB COMBINATION MALE | |
| | | | name | | 9W4P SOLDER CUP | |
| | | | drawn 19.11.12 Henneboel | | with hexlocking screw | |
| | | | appd. 19.11.12 Fischer | | dwg no: | |
| | | | norm | | 15K1A1221 | |
| | | | d-old | | DIN-A3 | |
| | a Original | | | | sh: 1/2 | |
| rev. | description | date | name | part no: 15-00521□ (see note 9) | | |

Solder Instruction

1. Cable should be prepared for soldering. The cable/wires must be pretinned.
2. Insert cable/wire into solder cup.
3. Signal Contact
 - 3.1. Operate the soldering iron at 350°C, 50 Watt max. and use a pencil tip.
 - 3.2. Put tip to wire in solder cup.
 - 3.3. After 1 second bring in solder.
 - 3.4. Heat for 3 seconds longer. Do not heat contact more than 4 seconds in total.
4. Power Contact
 - 4.1. Operate the soldering iron at 350°C, 100 Watt max. and use a pencil tip.
 - 4.2. Put tip to wire in solder cup.
 - 4.3. After 1 second bring in solder.
 - 4.4. Heat for 5 seconds longer. Do not heat contact more than 6 seconds in total.
5. Remove soldering iron.
6. Wait until solder gets rigid again.
7. Do not solder adjacent contacts consecutively, alternate position within the connector to minimize heat build up.

RECOMMENDED PANEL CUT-OUT



| | | | | | | | |
|---|-------------|------|---------------------------|----------------|------------|---|---------|
| THIS DRAWING MAY NOT BE COPIED OR REPRODUCED IN ANY WAY, AND MAY NOT BE PASSED ON TO A THIRD PARTY WITHOUT WRITTEN PERMISSION. OWNERSHIP AND COPYRIGHT OF CONEC GmbH DO NOT ALTER CAD DRAWING BY HAND | | | | tolerance | | scale: 4:1 | |
| | | | | | dim. in mm | material: see sheet1 | |
| | | | | date | name | title: P.C.B HOLE DRILLINGS PANEL CUT-OUT D-SUB Male 9W4P Solder Cup | |
| | | | | drawn 19.11.12 | Henneboel | | |
| | | | | appd. 19.11.12 | Fischer | | |
| | | | | norm | | dwg no: | DIN-A3 |
| | | | | d-old | | 15K1A1221 | sh: 2/2 |
| a | Original | | CONEC [®] | | | part no: see sheet 1 | |
| rev. | description | date | | | | name | |