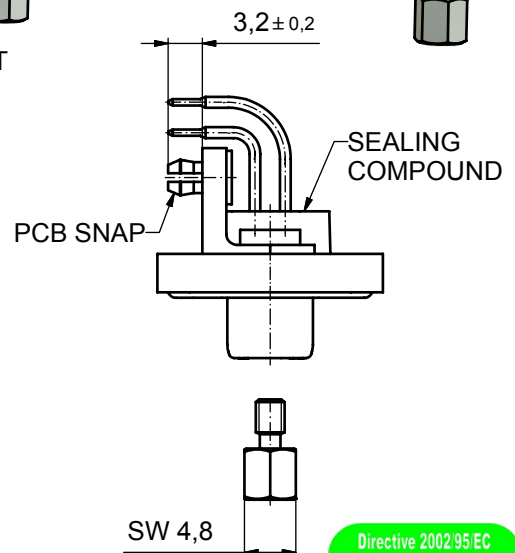
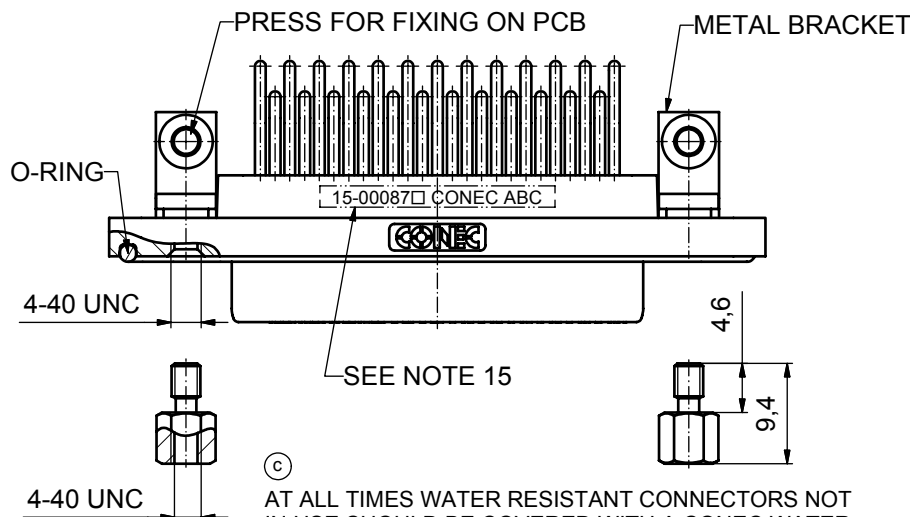
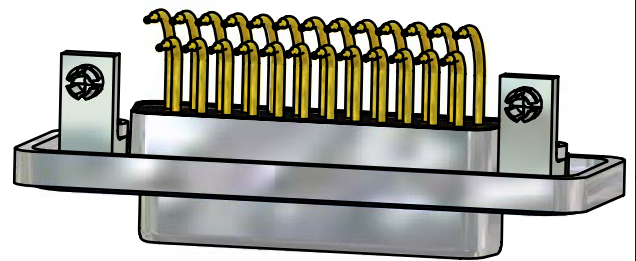
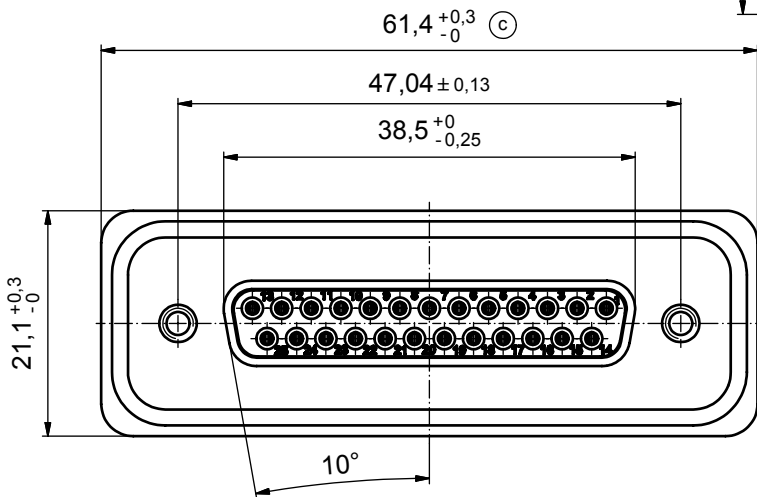
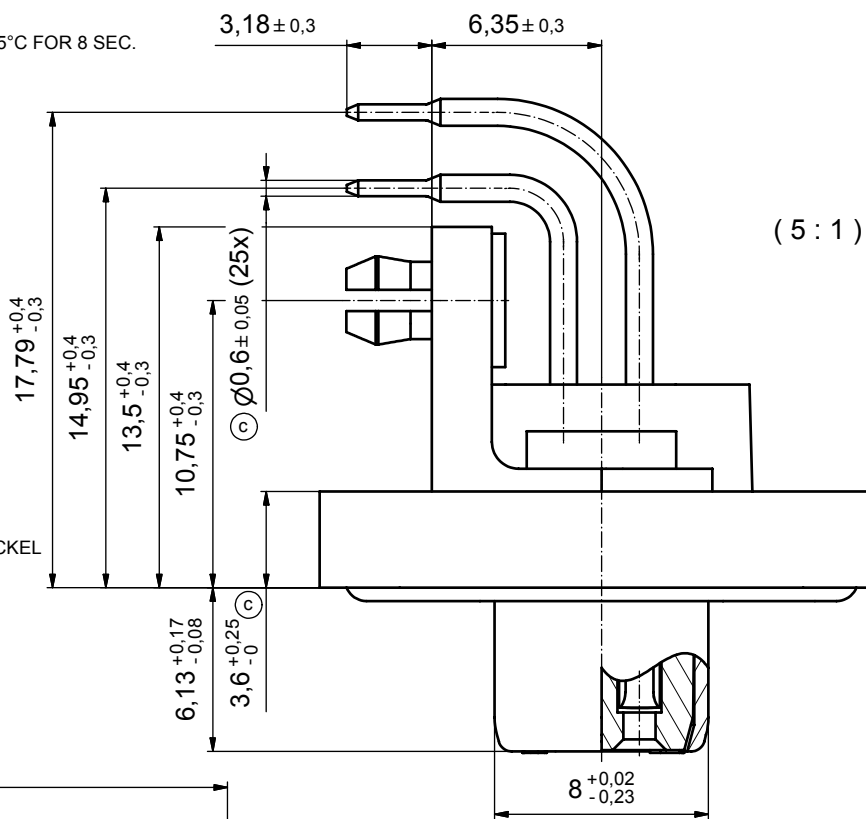


NOTES:

- FOR WAVESOLDERING (SOLDER BATH TEMPERATURE 265°C FOR 8 SEC. AND SOLDER PREHEAT 150°C FOR 180 SEC.)
- IP RATING: IP 67
- SEALED TO WITHSTAND PRESSURE UP TO 1,45 PSI FOR 30 MINUTES AFTER HIGH TEMPERATURE EXPOSURE
- METALSHELL:
ZINC DIE CAST; min. 50µin NICKEL PLATING over COPPER
- INSULATORS: PBT GF UL 94 V-0, BLACK
- O-RING: SILICONE PER ASTM D2000 70 SHORE A
- SEALING COMPOUND: EPOXY RESIN UL 94 V-0; BLACK
- CONTACTS: COPPER ALLOY
PLATING (SEE PART NO):
 PLEASE ADD 1 for 30µin HARD GOLD over min. 50µin NICKEL
 PLEASE ADD 3 for 8µin HARD GOLD over min. 50µin NICKEL
- METAL BRACKETS: ZINC DIE CAST;
300µin COPPER/40-120µin NICKEL/120-200µin TIN
- WASHERS: COPPER ALLOY; 80µin NICKEL
- HEXLOCKING SCREWS: STAINLESS STEEL
- PCB-SNAPS: COPPER ALLOY; min. 200µin TIN over 80µin NICKEL
PCB-HOLE: $\varnothing 3.1 \pm 0.1$; PCB THICKNESS 1.6mm
- P.C.B. HOLE DRILLINGS and RECOMMENDED PANEL CUT-OUT ON SHEET 2
- RECOMMENDED TORQUE FOR MOUNTING SCREW
35Ncm (3.1 in.LB) / max.67Ncm (6 in.LB)
- CONNECTOR IS PART MARKED: 15-00087 CONEC ABC



AT ALL TIMES WATER RESISTANT CONNECTORS NOT IN USE SHOULD BE COVERED WITH A CONEC WATER RESISTANT CAP OR WATER TIGHT HOOD.



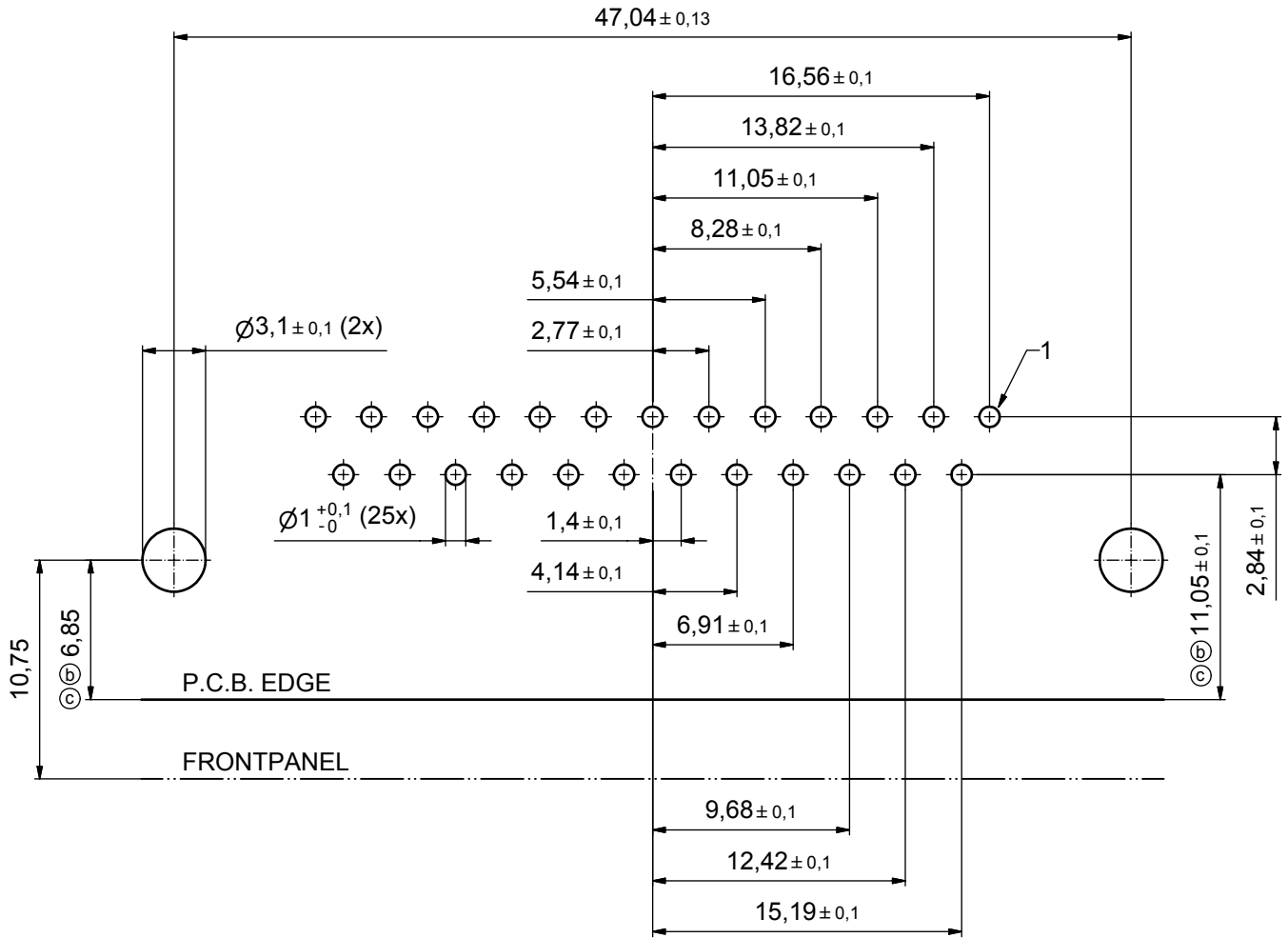
| | |
|---|--------|
| APPROVAL # FREIGABE # DEBLOCAGE # AUTORIZACION # APPROVAL | |
| CUSTOMER APPROVAL DATE: | |
| NAME: | TITLE: |
| COMPANY NAME: | |
| APPROVAL # FREIGABE # DEBLOCAGE # AUTORIZACION # APPROVAL | |

| | | | |
|--|-------------|----------|------|
| THIS DRAWING MAY NOT BE COPIED OR REPRODUCED IN ANY WAY, AND MAY NOT BE PASSED ON TO A THIRD PARTY WITHOUT WRITTEN PERMISSION. OWNERSHIP AND COPYRIGHT OF CONEC GmbH | | | |
| DO NOT ALTER CAD DRAWING BY HAND | | | |
| 4 x c | A 3435 | 09.10.09 | HS |
| a | Origin | | |
| rev. | description | date | name |

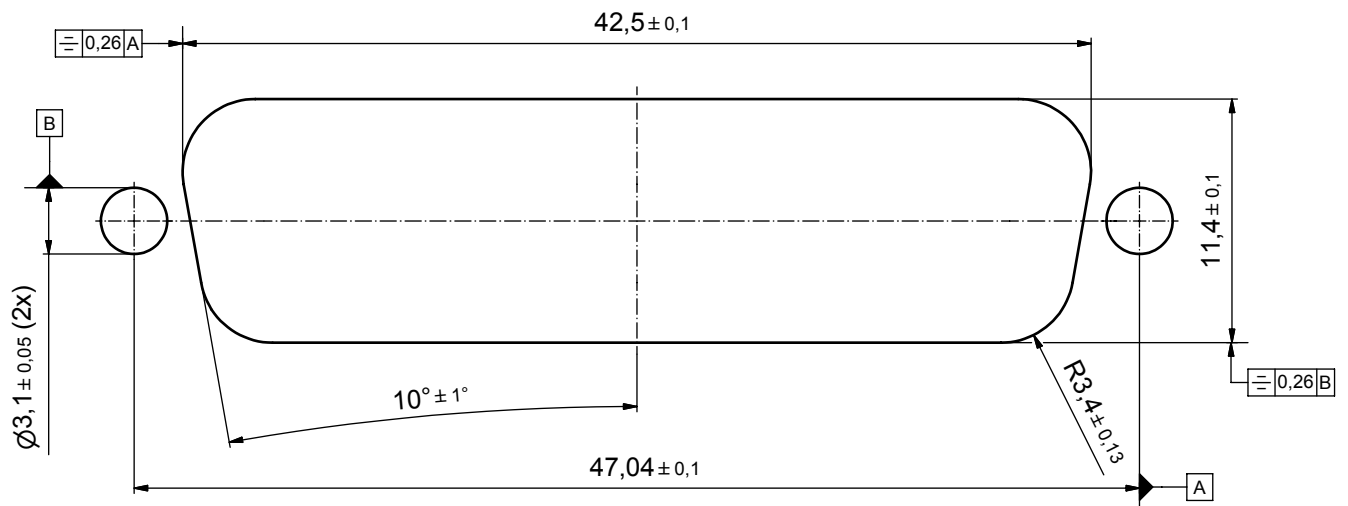
| | | |
|--------------|---------------|------------|
| tolerance | \varnothing | dim. in mm |
| date | name | |
| drawn | 17.10.08 | Schmidt |
| appd. | 23.10.08 | Fischer |
| norm | | |
| d-old | | |
| CONEC | | |

| | | |
|-----------|---|--------|
| scale: | 2:1 (5:1) | |
| material: | see notes | |
| title: | D-SUB FEMALE 90° 25pos. SOLDER PIN ANGLED with metal bracket, hexlocking screw and snap | |
| dwg no: | Inventor 10 | DIN-A3 |
| | 15K1A302 | sh: 1 |
| part no: | 15-00087 (see note 8) | |

P.C.B. HOLE DRILLINGS



RECOMMENDED PANEL CUT-OUT



| | |
|---|--------|
| APPROVAL # FREIGABE # DEBLOCAGE # AUTORIZACION # APPROVAL | |
| CUSTOMER APPROVAL DATE: | |
| NAME: | TITLE: |
| COMPANY NAME: | |
| APPROVAL # FREIGABE # DEBLOCAGE # AUTORIZACION # APPROVAL | |

| | | | | | | | |
|--|-------------|----------|------|--------------|----------|----------------------|---------------------------------------|
| THIS DRAWING MAY NOT BE COPIED OR REPRODUCED IN ANY WAY, AND MAY NOT BE PASSED ON TO A THIRD PARTY WITHOUT WRITTEN PERMISSION. OWNERSHIP AND COPYRIGHT OF CONEC GmbH | | | | tolerance | | dim. in mm | |
| DO NOT ALTER CAD DRAWING BY HAND | | | | date | name | scale: 4:1 | |
| | | | | drawn | 17.10.08 | Schmidt | material: see sheet 1 |
| | | | | appd. | 23.10.08 | Fischer | title: P.C.B HOLE DRILLINGS |
| | | | | norm | | | PANEL CUT-OUT |
| 2 x c | A 3435 | 09.10.09 | HS | d-old | | | D-SUB Female 25pos. Solder pin angled |
| 2 x b | A 3344 | 15.04.09 | HS | | | | dwg no: Inventor 10 |
| a | Origin | | | | | | DIN-A3 |
| rev. | description | date | name | CONEC | | | sh: 2 |
| | | | | | | part no: see sheet 1 | |

| | |
|---------------------------------------|--------|
| scale: 4:1 | |
| material: see sheet 1 | |
| title: P.C.B HOLE DRILLINGS | |
| PANEL CUT-OUT | |
| D-SUB Female 25pos. Solder pin angled | |
| dwg no: Inventor 10 | DIN-A3 |
| 15K1A302 | |
| part no: see sheet 1 | sh: 2 |