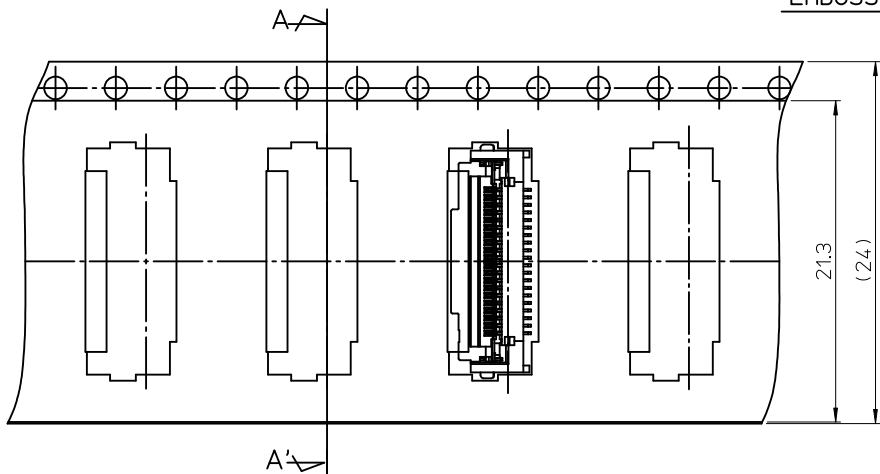


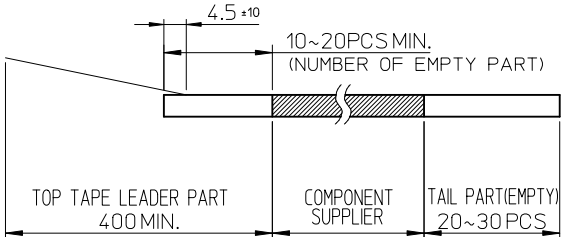
10 9 8 7 6 5 4 3 2 1

PULL OUT DIRECTION



EMBOSSD TAPE

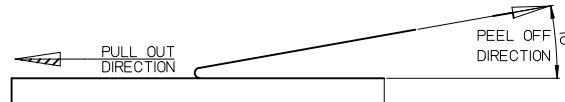
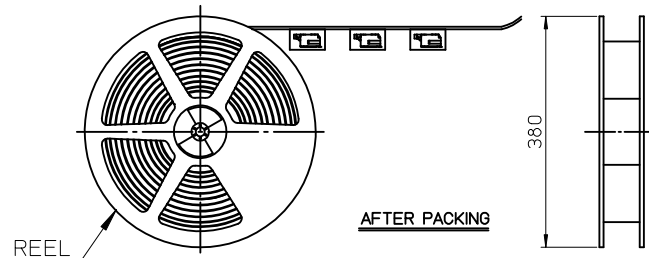
NOTES

1. NUMBER OF CONNECTORS : 2,400PCS/REEL
2. LEAD TAPE LENGTH

3. MATERIAL
 CARRIER TAPE : POLYETHYLENE TEREPHTHALATE
 TOP TAPE : POLYETHYLENE TEREPHTHALATE , POLYETHYLENE
 REEL : POLYSTYRENE<RECYCLE MATERIAL CONTAINED>
4. ELV AND RoHS COMPLIANT
5. PEELING OFF FORCE OF COVER TAPE : 0.1N~0.59N(10.2GF~60GF)
 (PEELING DIRECTION AS SHOW IN FOLLOW FIG.)
 PEELING OFF SPEED : 300mm/Min.(Ref.)

PULL OUT DIRECTION

SECTION A-A'

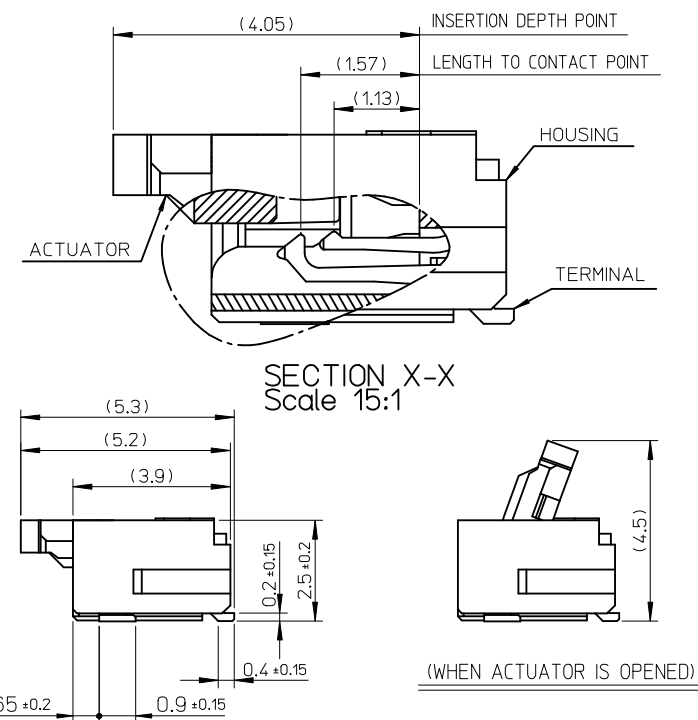
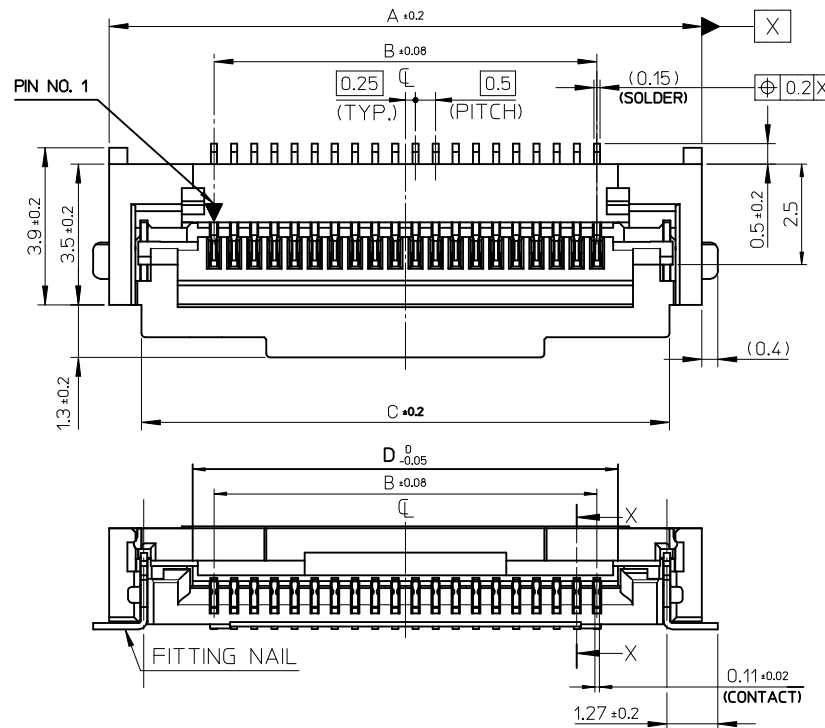
PULL OUT



359020028	1040602099	1040602017	20
COVER TAPE	EMBOSS TAPE	ORDER NO.	CIRCUIT

REVISED EC NO: KOR2012-0058 DRW:HSK1M05 2011/12/16 CHK:KSKIM 2011/12/16 APPR:YUNSIKKIM 2012/03/15	QUALITY SYMBOLS ▽=0 ◻=0	GENERAL TOLERANCES (UNLESS SPECIFIED)		DIMENSION STYLE MM ONLY		SCALE 10:1	DESIGN UNITS METRIC	THIRD ANGLE PROJECTION	
			mm	INCH	DRAWN BY YR.KIM	DATE 2009/06/26	TITLE 0.5 FFC E/O DUAL CONTACT HOUSING ASS'Y		
		4 PLACES	±---	±---	CHECKED BY KSKIM	DATE 2009/06/26	MOLEX INCORPORATED		
		3 PLACES	±---	±---	APPROVED BY YUNSIKKIM	DATE 2011/04/15	DOCUMENT NO. E-104060-004	SHEET NO. 4 OF 4	
			2 PLACES	±---	±---	SEE TABLE			
			1 PLACE	±	±---	THIS DRAWING CONTAINS INFORMATION THAT IS PROPRIETARY TO MOLEX INCORPORATED AND SHOULD NOT BE USED WITHOUT WRITTEN PERMISSION			
			ANGULAR ± °						
		DRAFT WHERE APPLICABLE MUST REMAIN WITHIN DIMENSIONS							

9 8 7 6 5 4 3 2 1



NOTES

1. MATERIAL

HOUSING	LIQUID CRYSTAL POLYMER GLASS FILLED,UL94V-0(BEIGE)
ACTUATOR	PPS GLASS FILLED, UL94V-0(BLACK) (t=0.15)
TERMINAL	PHOSPHOR BRONZE (t=0.15)
FITTING NAIL	PHOSPHOR BRONZE
2. PLATING

TERMINAL	CONTACT AREA : SEPARATED GOLD PLATING (0.05 MICROMETER MINIMUM) SOLDER TAIL AREA : SEPARATED GOLD PLATING UNDERPLATE : NICKEL OVERALL (1.0 MICROMETER MINIMUM)
FITTING NAIL	TIN PLATING (1.0 MICROMETER MIN.) UNDER PLATING : NICKEL PLATING (1.0 MICROMETER MIN.)
3. IN THE PACKAGE, ACTUATOR OF PART 104060-**10 SHOULD BE CLOSED.
4. FITTING NAIL FOR PREVENTION OF PEELING OF P.C.B. PATTERN.
5. R0.3 MUST NOT BE OVERLAPPED TO PATTERN OF FPC/FFC.
6. N: CIRCUIT.
7. ELV AND RoHS COMPLIANT
8. TAILS AND NAILS COPLANALITY TO BE 0.1mm MAX.

10.5	13.1	9.5	14.7	104060-2017	20
D	C	B	A	ORDER No.	CIRCUIT

REVISED EC NO: KOR2013-0042 DRWN:HJJEONG 2013/05/30 CHKD: APPR:YSKIM02 2013/05/30	QUALITY SYMBOLS	GENERAL TOLERANCES (UNLESS SPECIFIED) <table border="1" style="width: 100%; border-collapse: collapse;"> <tr> <td></td> <td style="text-align: center;">mm</td> <td style="text-align: center;">INCH</td> </tr> <tr> <td>4 PLACES</td> <td style="text-align: center;">± ---</td> <td style="text-align: center;">± ---</td> </tr> <tr> <td>3 PLACES</td> <td style="text-align: center;">± ---</td> <td style="text-align: center;">± ---</td> </tr> <tr> <td>2 PLACES</td> <td style="text-align: center;">± ---</td> <td style="text-align: center;">± ---</td> </tr> <tr> <td>1 PLACE</td> <td style="text-align: center;">± 0.3</td> <td style="text-align: center;">± ---</td> </tr> </table>		mm	INCH	4 PLACES	± ---	± ---	3 PLACES	± ---	± ---	2 PLACES	± ---	± ---	1 PLACE	± 0.3	± ---	DIMENSION STYLE MM ONLY	SCALE 8:1	DESIGN UNITS METRIC	THIRD ANGLE PROJECTION
			mm	INCH																	
	4 PLACES		± ---	± ---																	
	3 PLACES		± ---	± ---																	
2 PLACES	± ---	± ---																			
1 PLACE	± 0.3	± ---																			
▽=0 ∇=0	DRAWN BY YR.KIM	DATE 2009/06/26	TITLE 0.5 FFC E/O DUAL CONTACT HOUSING ASS'Y																		
	CHECKED BY KS.KIM	DATE 2009/06/26	MOLEX INCORPORATED																		
	APPROVED BY YS00.KIM	DATE 2009/06/26	MATERIAL NO.	DOCUMENT NO.	SHEET NO.																

DRAFT WHERE APPLICABLE MUST REMAIN WITHIN DIMENSIONS

SIZE **A3** THIS DRAWING CONTAINS INFORMATION THAT IS PROPRIETARY TO MOLEX INCORPORATED AND SHOULD NOT BE USED WITHOUT WRITTEN PERMISSION

10 9 8 7 6 5 4 3 2 1

F

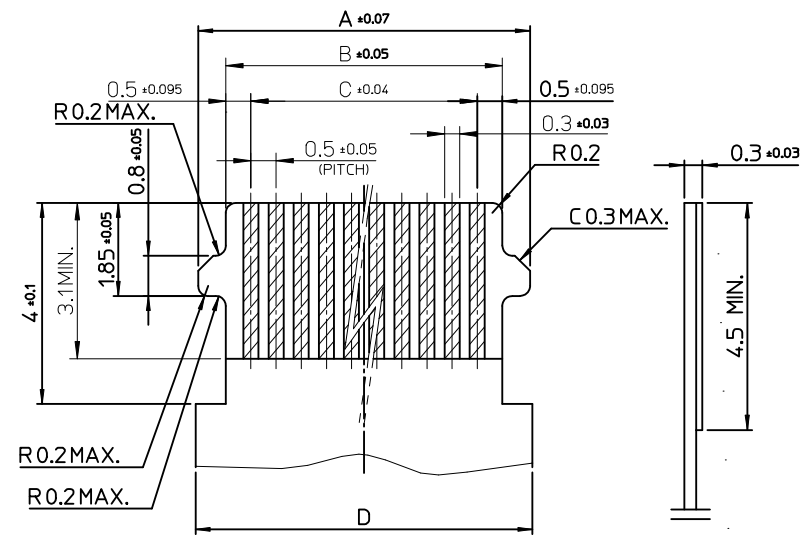
E

D

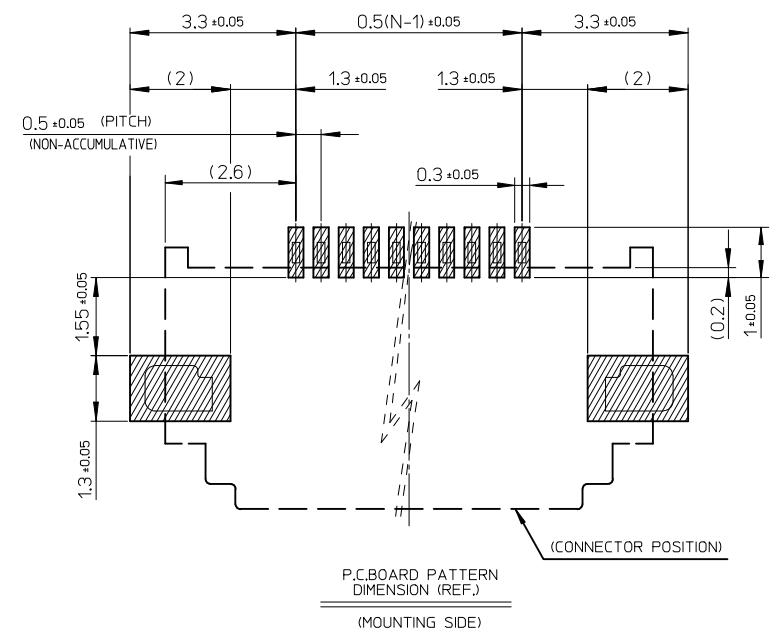
C

B

A



APPLICABLE FPC/FFC
RECOMMENDED DIMENSION

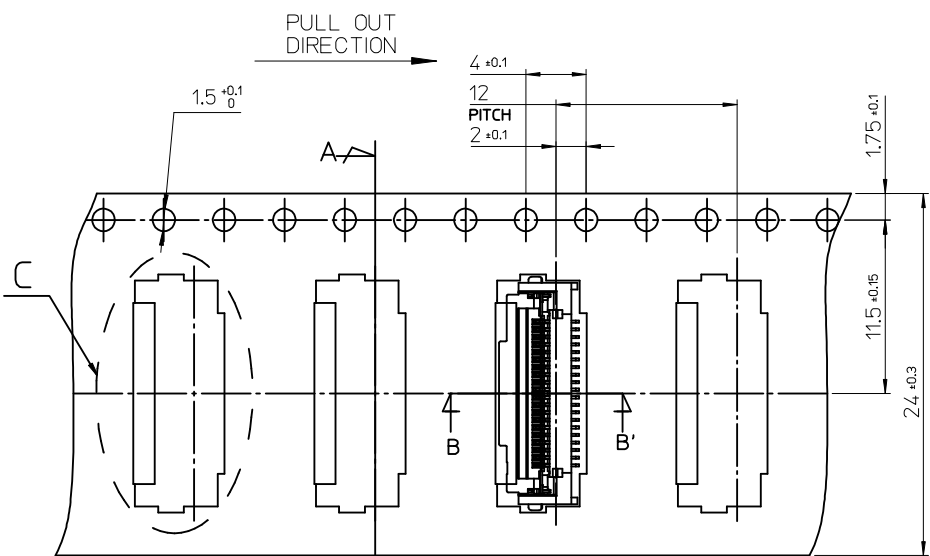


12.3	9.5	10.5	12.2	20
D	C	B	A	CIRCUIT

REVISED EC NO: KOR2013-0042 DRWN: HJEONG 2013/05/30 CHKD: APPR: YSK IM02 2013/05/30 REV	QUALITY SYMBOLS	GENERAL TOLERANCES (UNLESS SPECIFIED) <table border="1"> <tr> <td></td> <td>mm</td> <td>INCH</td> </tr> <tr> <td>4 PLACES</td> <td>± ---</td> <td>± ---</td> </tr> <tr> <td>3 PLACES</td> <td>± ---</td> <td>± ---</td> </tr> <tr> <td>2 PLACES</td> <td>± ---</td> <td>± ---</td> </tr> <tr> <td>1 PLACE</td> <td>± 0.3</td> <td>± ---</td> </tr> <tr> <td colspan="3">ANGULAR ± 1 °</td> </tr> </table>		mm	INCH	4 PLACES	± ---	± ---	3 PLACES	± ---	± ---	2 PLACES	± ---	± ---	1 PLACE	± 0.3	± ---	ANGULAR ± 1 °			DIMENSION STYLE	SCALE	DESIGN UNITS	THIRD ANGLE PROJECTION
			mm	INCH																				
	4 PLACES		± ---	± ---																				
	3 PLACES		± ---	± ---																				
2 PLACES	± ---	± ---																						
1 PLACE	± 0.3	± ---																						
ANGULAR ± 1 °																								
	MM ONLY	10:1	METRIC																					
	DRAWN BY	DATE	TITLE																					
	YR.KIM	2009/06/26	0.5 FFC E/O DUAL CONTACT HOUSING ASS'Y																					
	CHECKED BY	DATE																						
	KS.KIM	2009/06/26																						
	APPROVED BY	DATE																						
	YSOO.KIM	2009/06/26																						
	MATERIAL NO.	DOCUMENT NO.																						
	SEE TABLE																							
	SIZE	THIS DRAWING CONTAINS INFORMATION THAT IS PROPRIETARY TO MOLEX INCORPORATED AND SHOULD NOT BE USED WITHOUT WRITTEN PERMISSION																						
	A3																							

MOLEX INCORPORATED
 SD-104060-002
 SHEET NO. 2 OF 3

9 8 7 6 5 4 3 2 1



NOTES

1. NUMBER OF CONNECTORS : 2,400PCS/REEL
2. LEAD TAPE LENGTH

4.5 ±10

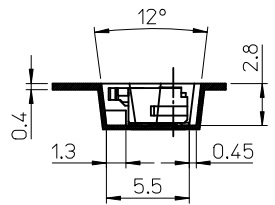
10~20PCS MIN. (NUMBER OF EMPTY PART)

TOP TAPE LEADER PART 400 MIN.

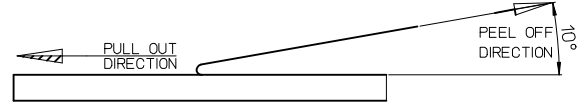
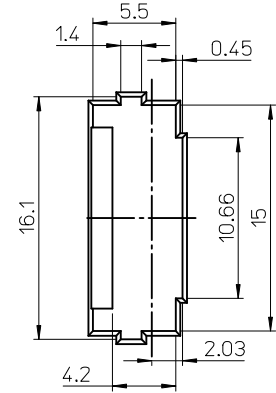
COMPONENT SUPPLIER

TAIL PART(EMPTY) 20~30 PCS
3. FOR DIMENSIONS OF PRODUCT, REFER TO SD-104060-001.
4. MATERIAL
 CARRIER TAPE : POLYETHYLENE TEREPHTHALATE
 TOP TAPE : POLYETHYLENE TEREPHTHALATE , POLYETHYLENE
 REEL : POLYSTYRENE<RECYCLE MATERIAL CONTAINED>
5. ELV AND RoHS COMPLIANT
6. PEELING OFF FORCE OF COVER TAPE : 0.1N~0.59N(10.2GF~60GF)
 (PEELING DIRECTION AS SHOW IN FOLLOW FIG.)
 PEELING OFF SPEED : 300mm/Min.(Ref.)

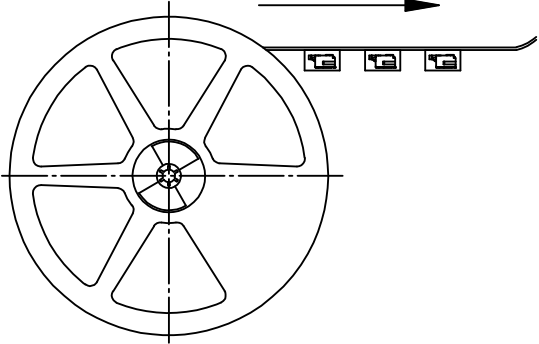
SECTION A-A'



SECTION B-B'
(Scale 3/1)



DETAIL C



24	104060-2017	20
CARRIER TAPE WIDTH	ORDER NO.	CIRCUIT

REVISED EC NO: KOR2013-0042 DRW:NHJEONG 2013/05/30 CHKD: APPR:YSKIM02 2013/05/30 REV DESCRIPTION	QUALITY SYMBOLS	GENERAL TOLERANCES (UNLESS SPECIFIED)	DIMENSION STYLE	SCALE	DESIGN UNITS	THIRD ANGLE PROJECTION
	▽=0	mm INCH	MM ONLY	10:1	METRIC	☉
	∇=0	4 PLACES ± --- ± ---	DRAWN BY DATE	TITLE		
		3 PLACES ± --- ± ---	YR.KIM 2009/06/26	0.5 FFC E/O DUAL CONTACT HOUSING ASS'Y		
	2 PLACES ± --- ± ---	CHECKED BY DATE	MOLEX MOLEX INCORPORATED			
	1 PLACE ± 0.3 ± ---	KS.KIM 2009/06/26	DOCUMENT NO.			
	ANGULAR ± 1 °	APPROVED BY DATE	SD-104060-002			
		YS00.KIM 2009/06/26	SHEET NO.			
		MATERIAL NO.	3 OF 3			
		SEE TABLE	THIS DRAWING CONTAINS INFORMATION THAT IS PROPRIETARY TO MOLEX INCORPORATED AND SHOULD NOT BE USED WITHOUT WRITTEN PERMISSION			