

1

2

3

4

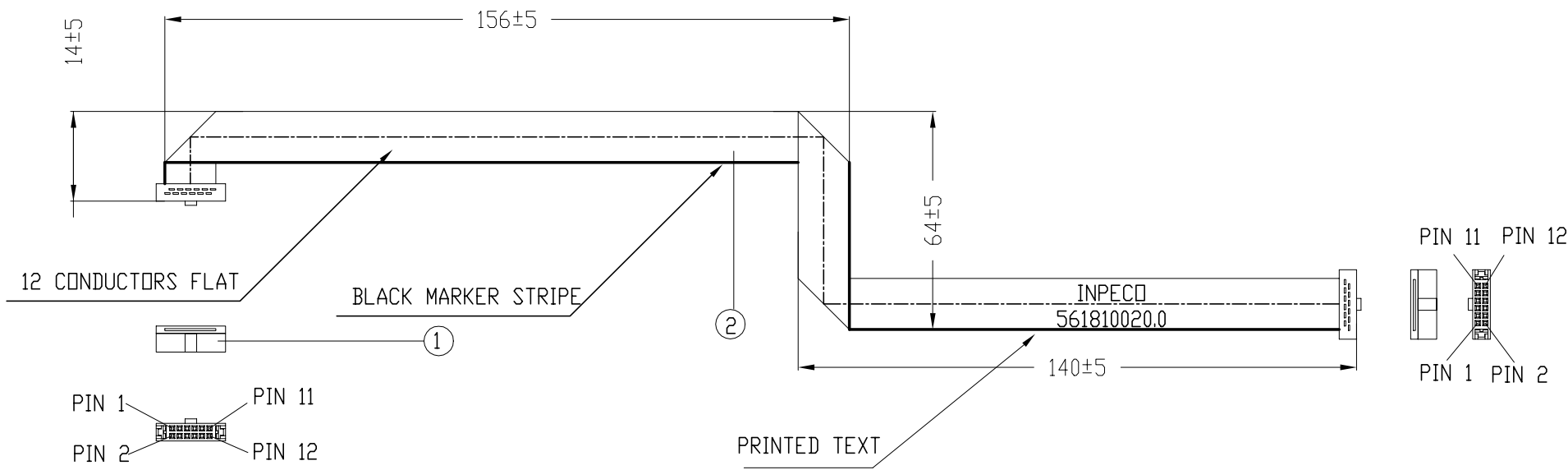
FCI P/N
10123461-R0035YYLF

A

B

C

D



NOTES:

1. 100% CONTINUITY TEST FOR OPEN,SHORTING,ETC..
2. HI-POT TEST: DC 300V/10ms
CONNECTION RESISTANCE: 4.0 Ohm MAX.
INSULATION RESISTANCE: 10M Ohm MIN.
3. ROHS COMPLIANCE

②	FLAT CABLE, UL2678, 30AWG, 0.635MM PITCH	AR	M
①	IDC CONNECTOR, 2X6PIN, 1.27MM PITCH, 10u" Au PLATING	2	PCS
No.	DESCRIPTION	QTY	UNIT

www.fciconnect.com			surface - ✓	tolerance std -	projection	mm
			TOLERANCES UNLESS OTHERWISE SPECIFIED			
Dr	Harry Shi	2013-03-08	ANGULAR	LINEAR		
Eng	Harry Shi	2013-03-08	0° ±'	0.X ±-	ECN	
Chr	Roger Cheng	2013-03-08		0.XX ±-	Spec ref -	
Appr	Jackson Wang	2013-03-08		0.XXX ±-		
Product family						
			title 1.27MM PITCH IDC CABLE ASSEMBLY		dwg no 10123461	Rev. A
catalog no -			CUSTOMER		sheet 1 of 1	

rev	ecn no	dr	date
A		shh	2013-03-08

Copyright FCI.

1

2

3