

10120132 - X0E - XXXLF

LEAD-FREE DESIGNATION ONLY WITH APPLICABLE PLATING CODES

LETTER	PLATING (SEE NOTE 6)	
	APPLICATION	TYPE (REFERENCE)
B	TELCORDIA CO	0.76µm GOLD or GXT
C	TELCORDIA UE	1.27µm GOLD
D	TELCORDIA CO	0.76µm GOLD or GXT, LEAD-FREE
E	TELCORDIA UE	1.27µm GOLD, LEAD-FREE

8-COLUMN DIFFERENTIAL SIGNAL

NUMBER	GUIDE PIN STYLE (SEE NOTE 8)
0	STANDARD GUIDE PIN, MACHINED
1	STANDARD GUIDE PIN, ROLLED

MODULE DESCRIPTION	LETTER DESIGNATION REPRESENTED IN DASH NUMBER										BASE MODULE
LEFT POLARIZING GUIDANCE MODULE (SEE SHEET 6)	N	J	A	B	C	D	E	F	G	H	
	NO KEY NO GUIDE PIN										
RIGHT POLARIZING GUIDANCE MODULE (SEE SHEET 7)	Z	Y	P	Q	R	S	T	U	V	W	
	NO KEY NO GUIDE PIN										
OPEN MODULE (TWO WALL) (SEE SHEET 2)	0 (ZERO)										
LEFT WALL MODULE (SEE SHEET 3)	L										
RIGHT WALL MODULE (SEE SHEET 4)	M										
FOUR WALL MODULE (SEE SHEET 5)	I (ONE)										

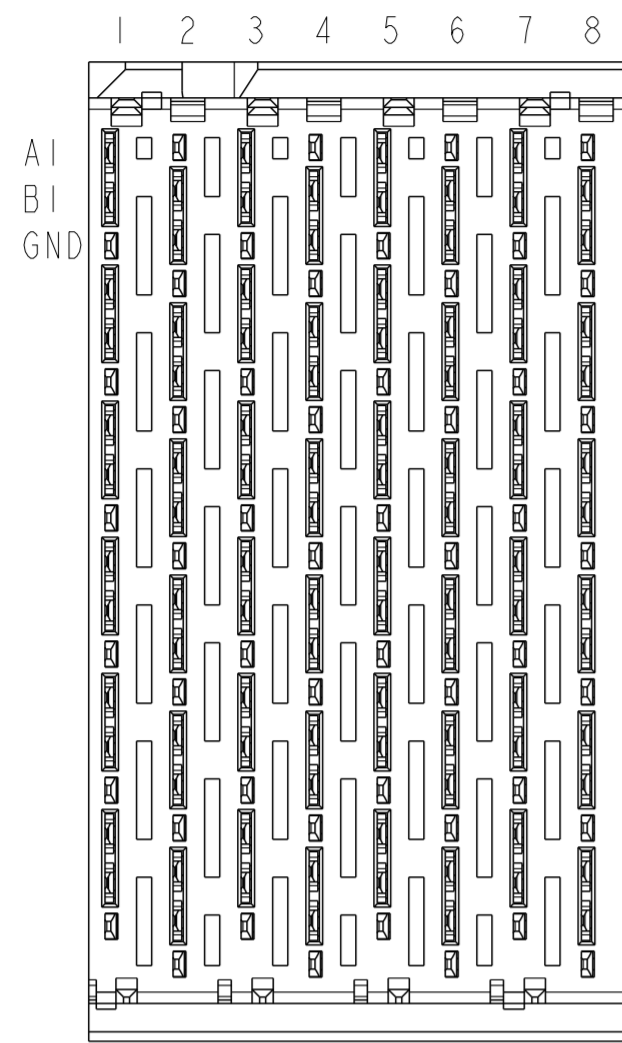
NUMBER	CONTACT MATING WIPE LENGTH		COMPLIANT TAIL TYPE (SEE NOTE 9)
	SIGNAL	GROUND	
1	2 MM	4 MM	0.55 (0.0217" DRILL)
2	3 MM	4 MM	0.55 (0.0217" DRILL)
3	2 MM	4 MM	0.45 MICRO (0.0177" DRILL)
4	3 MM	4 MM	0.45 MICRO (0.0177" DRILL)
5	2 MM	3 MM	0.55 (0.0217" DRILL)
6	3 MM	3 MM	0.55 (0.0217" DRILL)
7	2 MM	3 MM	0.45 MICRO (0.0177" DRILL)
8	3 MM	3 MM	0.45 MICRO (0.0177" DRILL)

FOR CUSTOM-LOADED MODULES, SEE INDIVIDUAL CUSTOM DRAWINGS WITH THE DRAWING-NUMBER FORMAT OF 10120132-XXXX, WHERE: "X" DENOTES MODULE TYPE PER CHART ON THIS SHEET "XXXX" IS A SEQUENTIAL NUMBER BEGINNING WITH "0001".

	UNGROUND	GROUND
FHS	∅2.35-∅2.55	∅2.35-∅2.55
PAD	N/A	∅5.50
PLATED	NO	YES
DRILL(mm)	2.44mm	2.58mm
DRILL(in)	0.096"	0.1015"

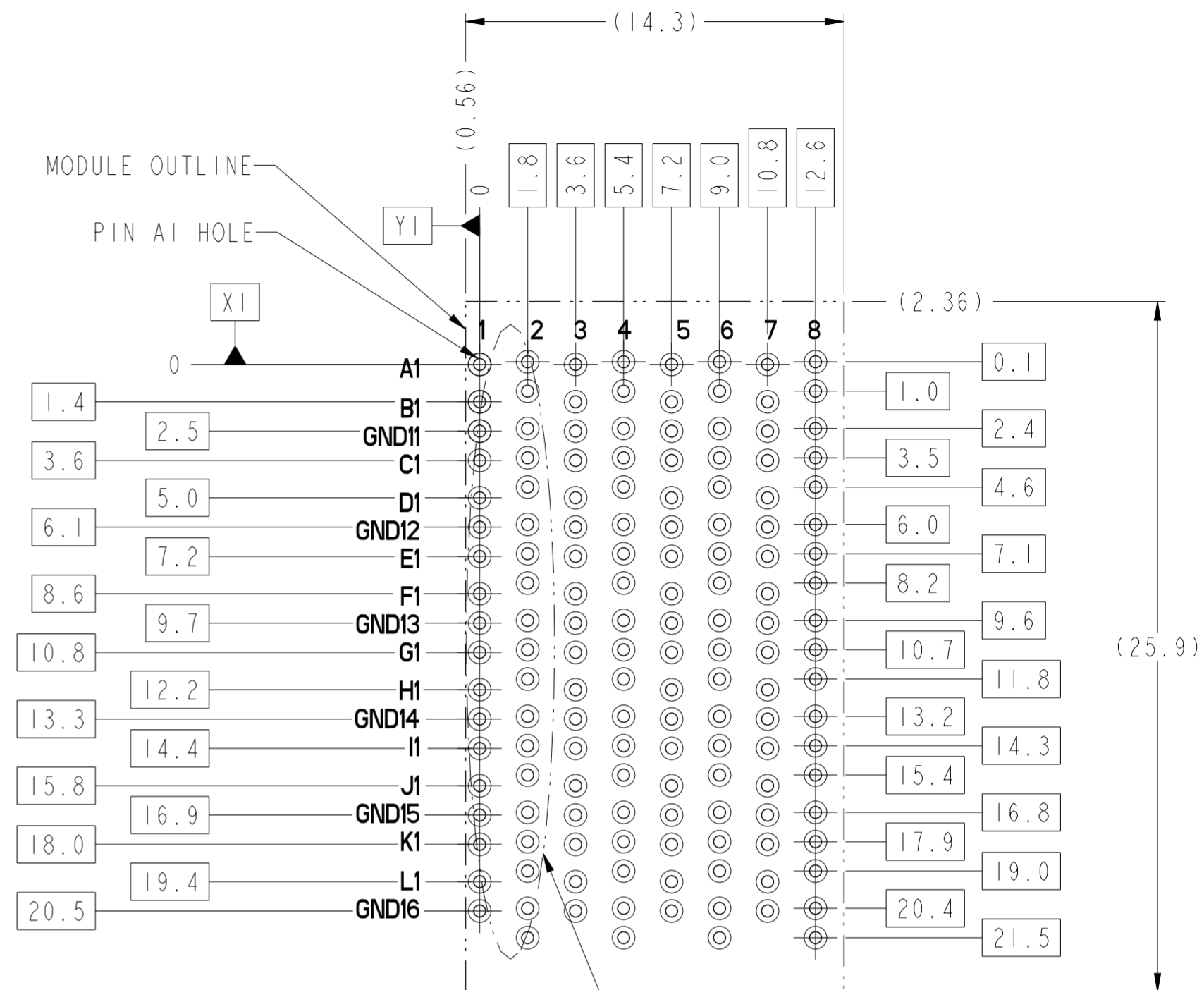
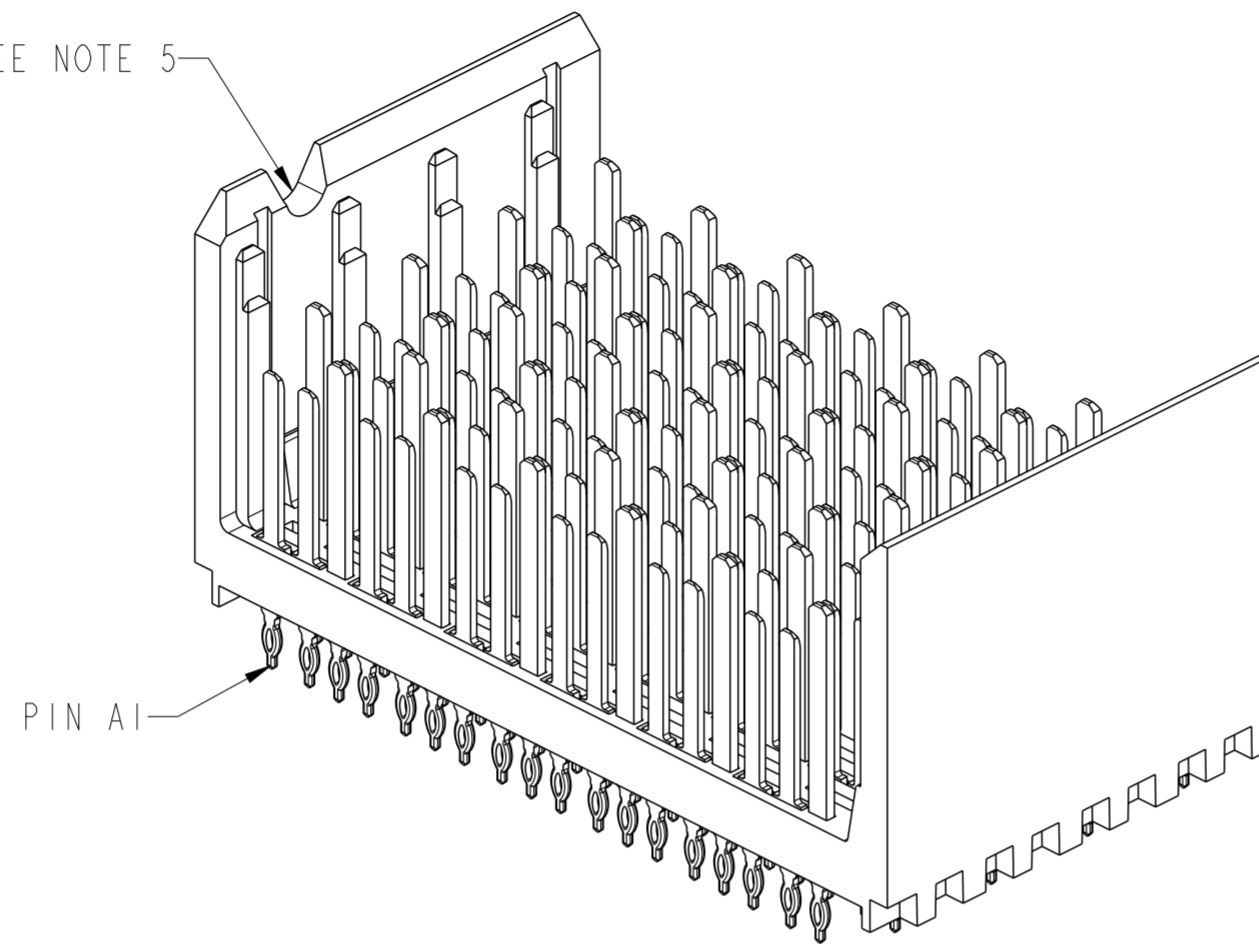
SCREW P/N	DESCRIPTION	BOARD THICKNESS
10091790-002LF	#2-56 X 0.375" LG. PHILIPS PANHEAD W/SQ CONICAL WASHER	1.60-5.00mm
10091790-003LF	#2-56 X 0.375" LG. PHILIPS PANHEAD W/SQ CONICAL WASHER	5.00-10.00mm

spec ref	-	dr	Yong-Keat Lim	2012/02/23	projection	MM	size	A2	scale	2:1
tolerance std	ASME Y14.5	eng	Sandar Soe	2013/03/20	chr	-	ecn no	ELX-S-1429-1	rel level	Released
surface	linear	0.X	±0.3	0.XX	±0.10	0.XXX	±0.05	angular	0°	±2°
TOLERANCES UNLESS OTHERWISE SPECIFIED		www.fci.com		product family		XCEDE HD	rel level		Blue	
VERTICAL HEADER ASSEMBLY		XCEDE HD 6 PAIR, 8 COLUMN		cat. no.		-	Product - Customer Drw		sheet 1 of 8	



OPEN WALL MODULE

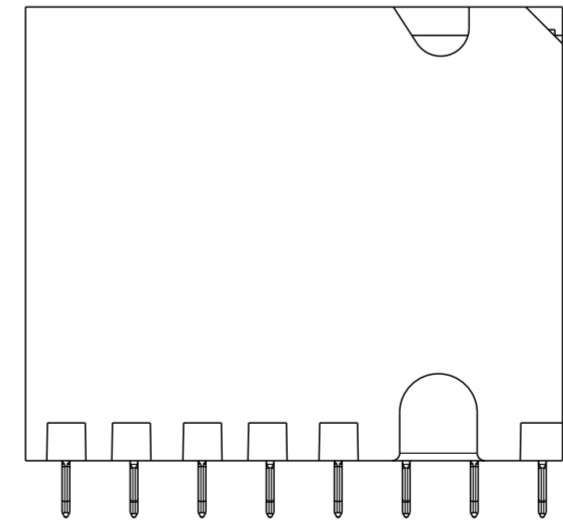
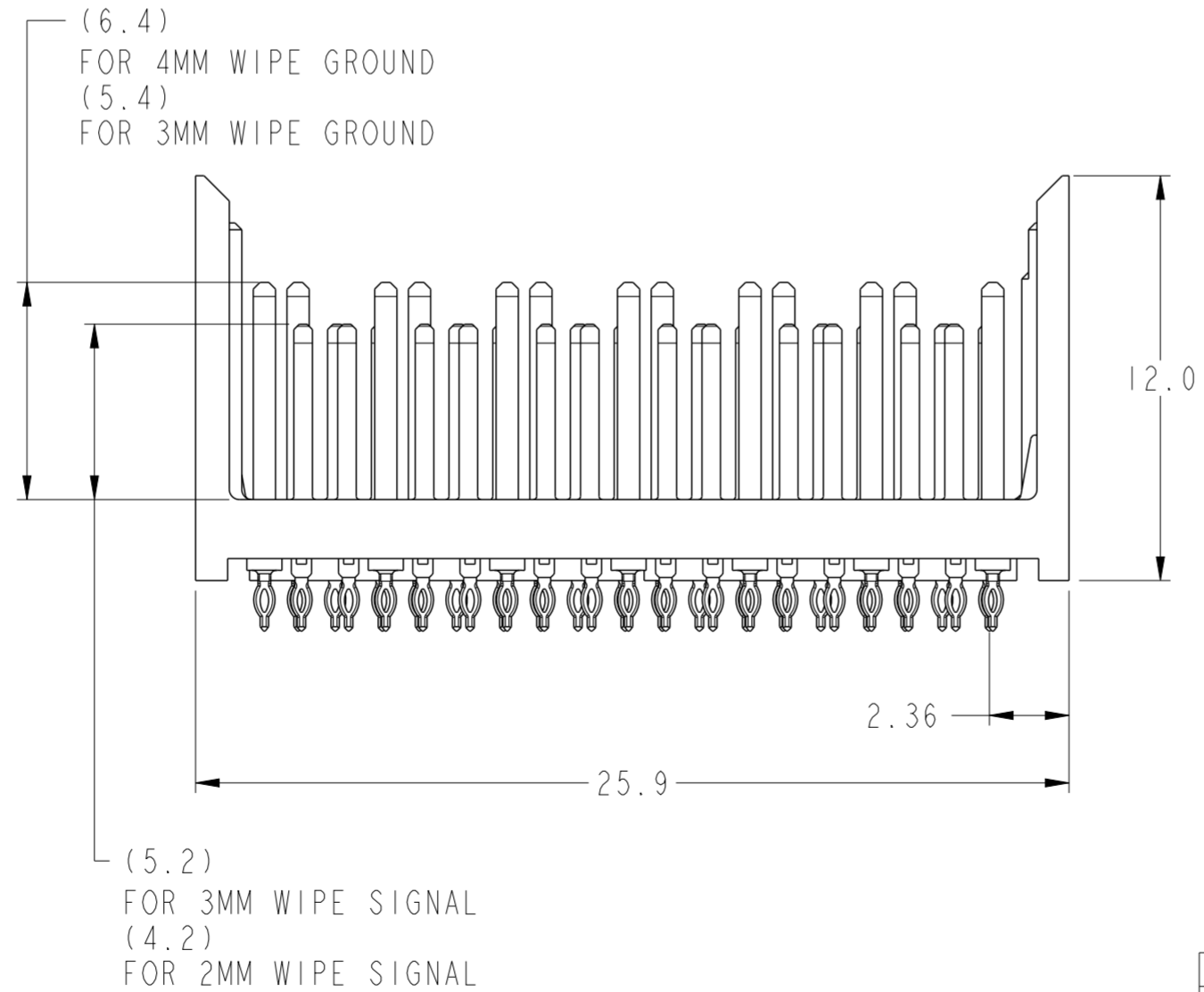
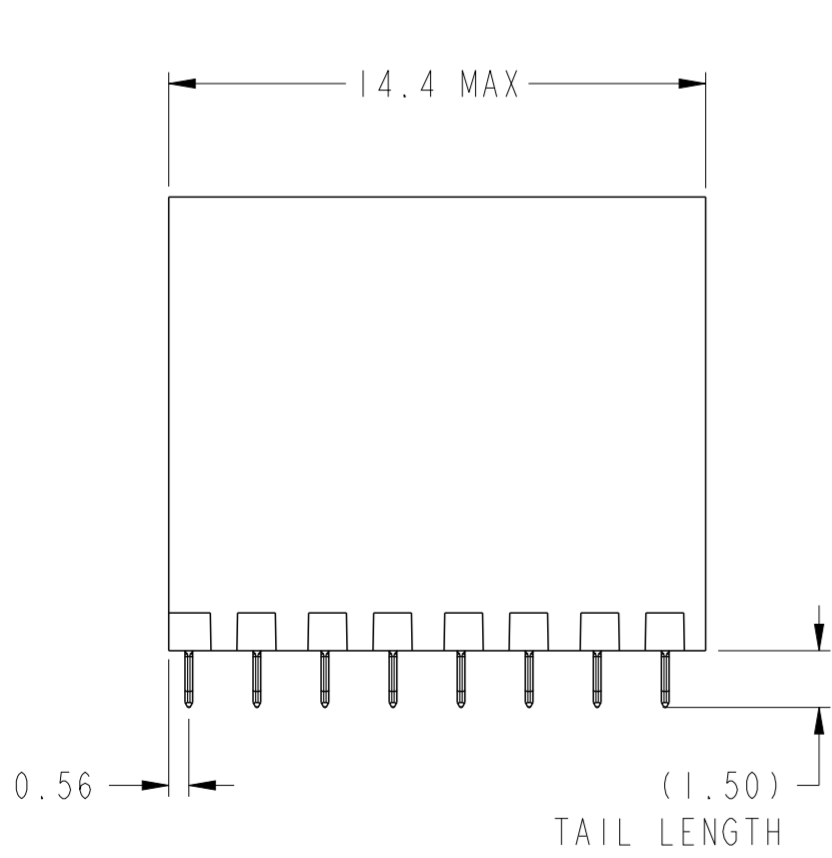
SEE NOTE 5



SEE DETAIL A ON SHEET 8 FOR PINOUT DETAILS

BP HOLE PATTERN COMPONENT SIDE

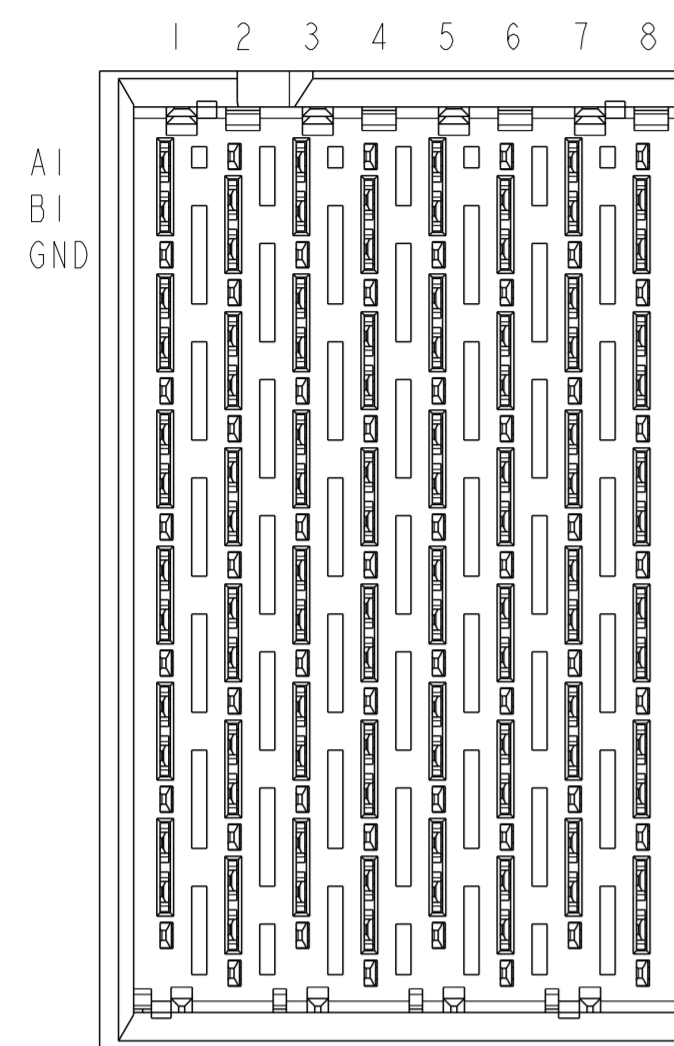
OPEN WALL MODULE BACKPLANE FOOTPRINT



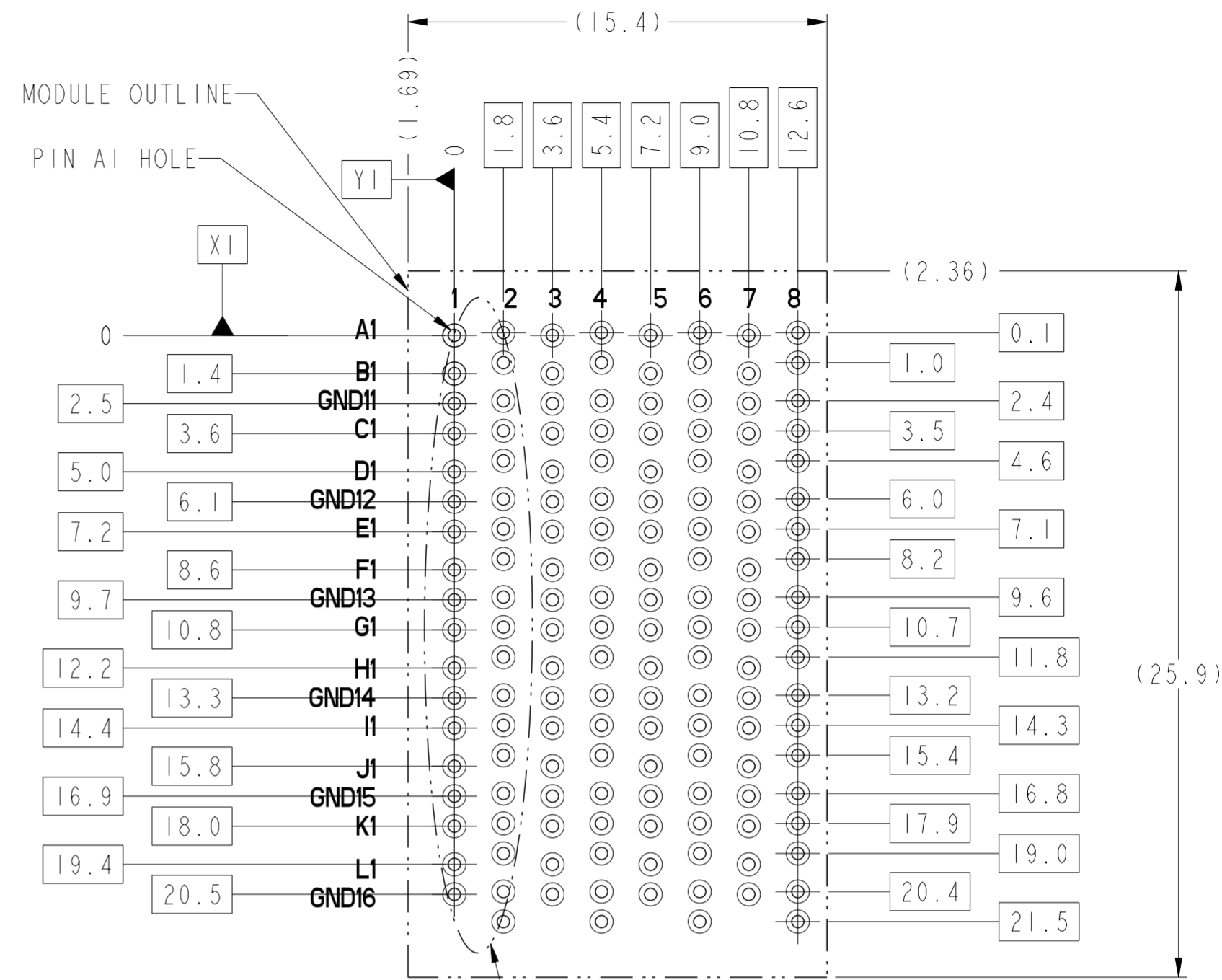
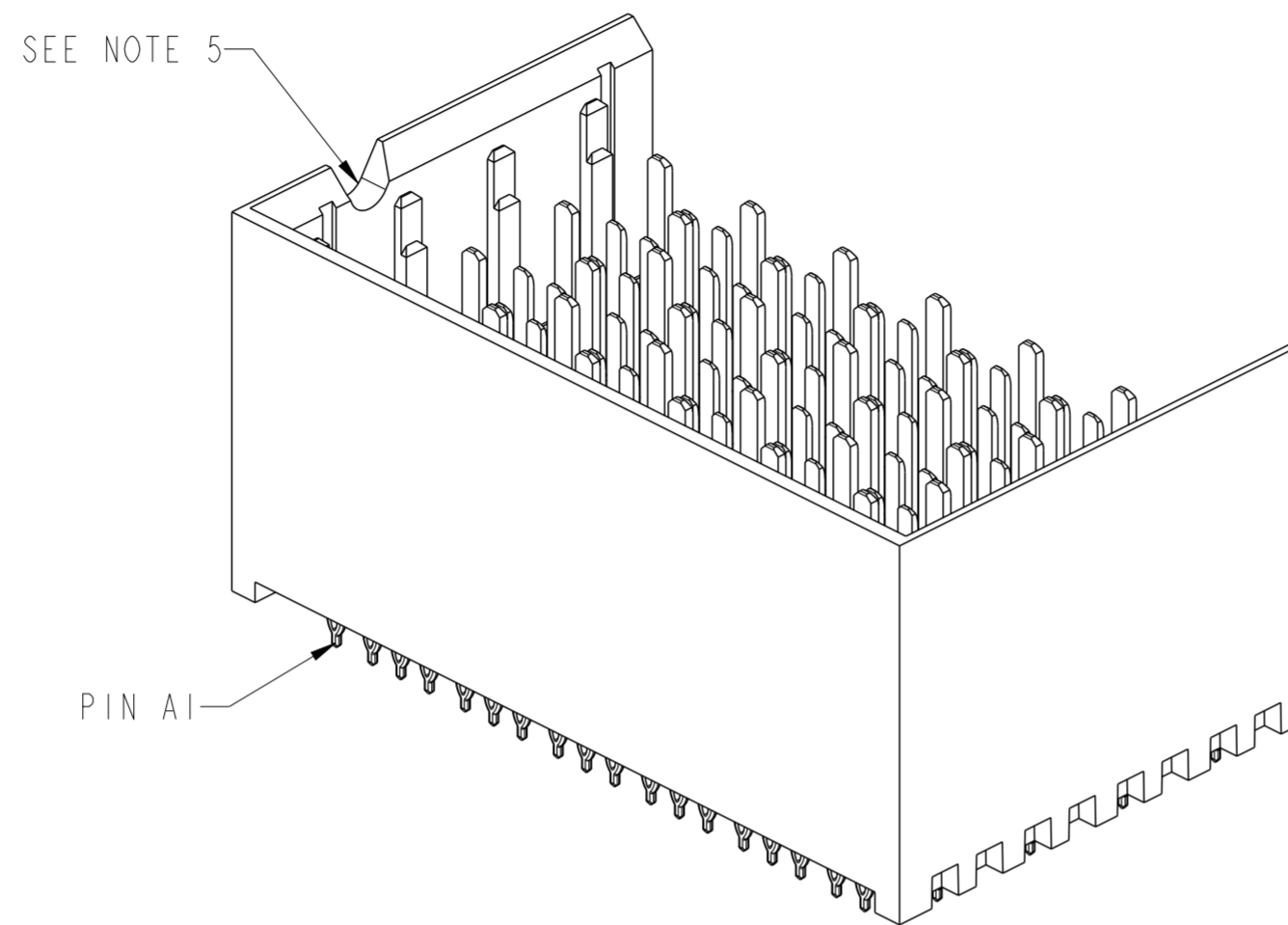
spec ref	-	dr	Yong-Keat Lim	2012/02/23	projection	MM	size	A2	scale	5:1	
tolerance std	ASME Y14.5	eng	Sandar Soe	2013/03/20			ecn no	ELX-8-14229-1			
TOLERANCES UNLESS OTHERWISE SPECIFIED		chr	-	appr			Chen-Hong Tan	2013/04/09	product family	XCEDE HD	rel level
surface	linear	0.X	±0.3		VERTICAL HEADER ASSEMBLY XCEDE HD 6 PAIR, 8 COLUMN		dwg no	10120132			
		0.XX	±0.10		cat. no.	-	Product - Customer Drw	sheet 2 of 8	rev		B
	angular	0°	±2°		www.fci.com						



Copyright FCI.



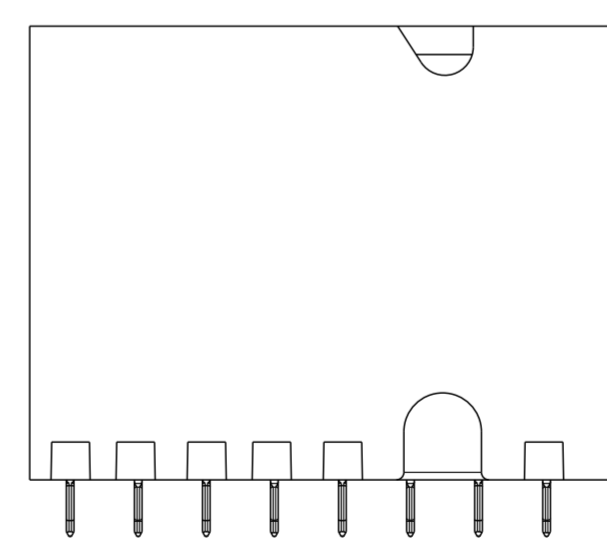
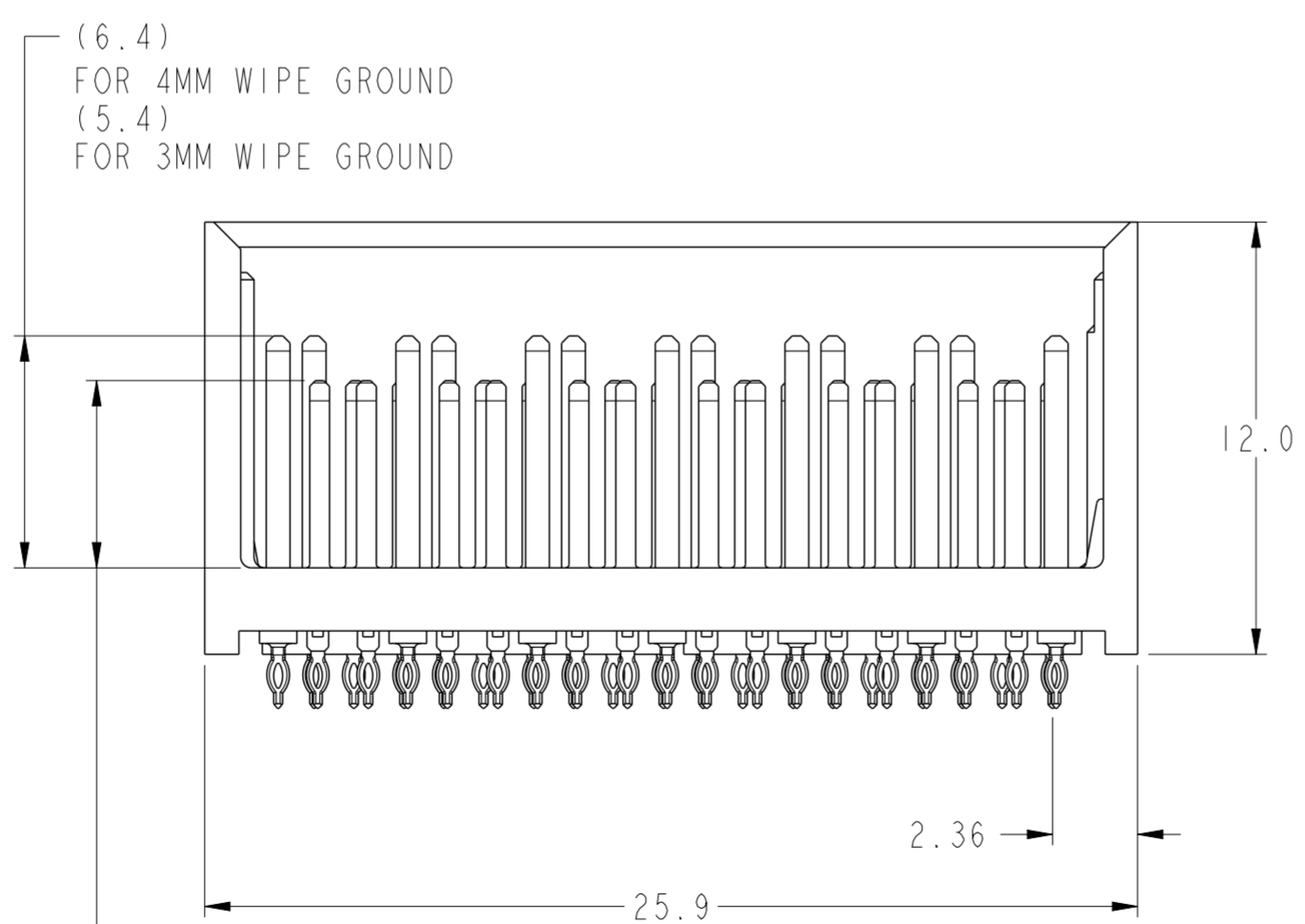
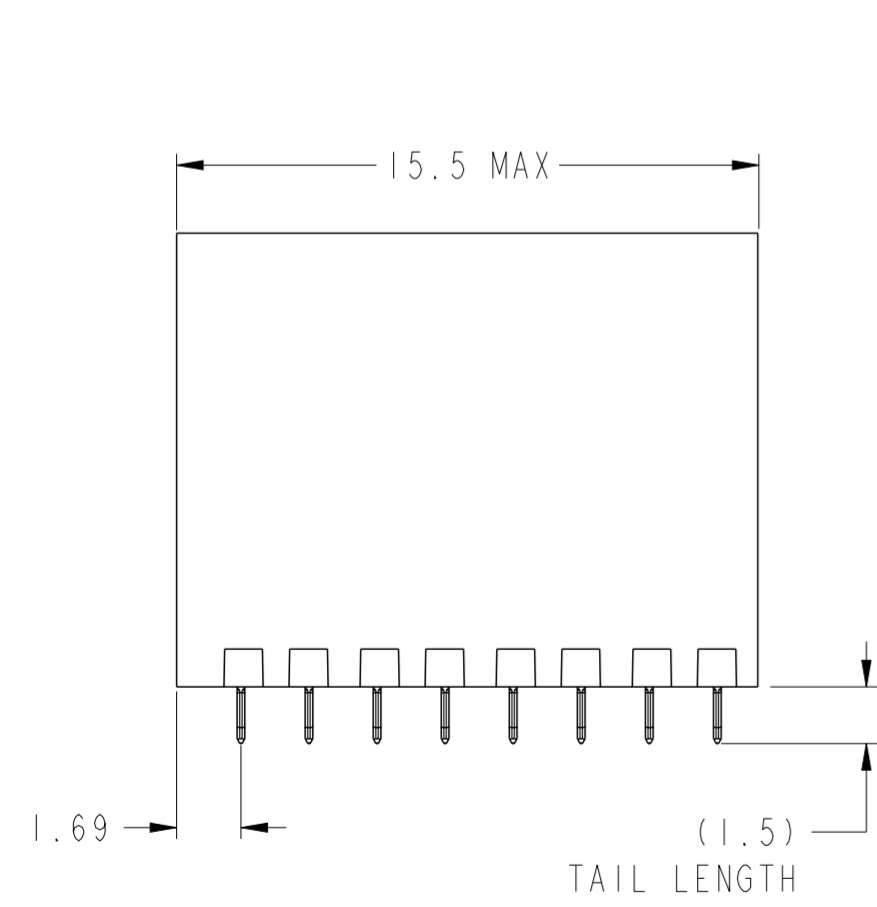
LEFT WALL MODULE



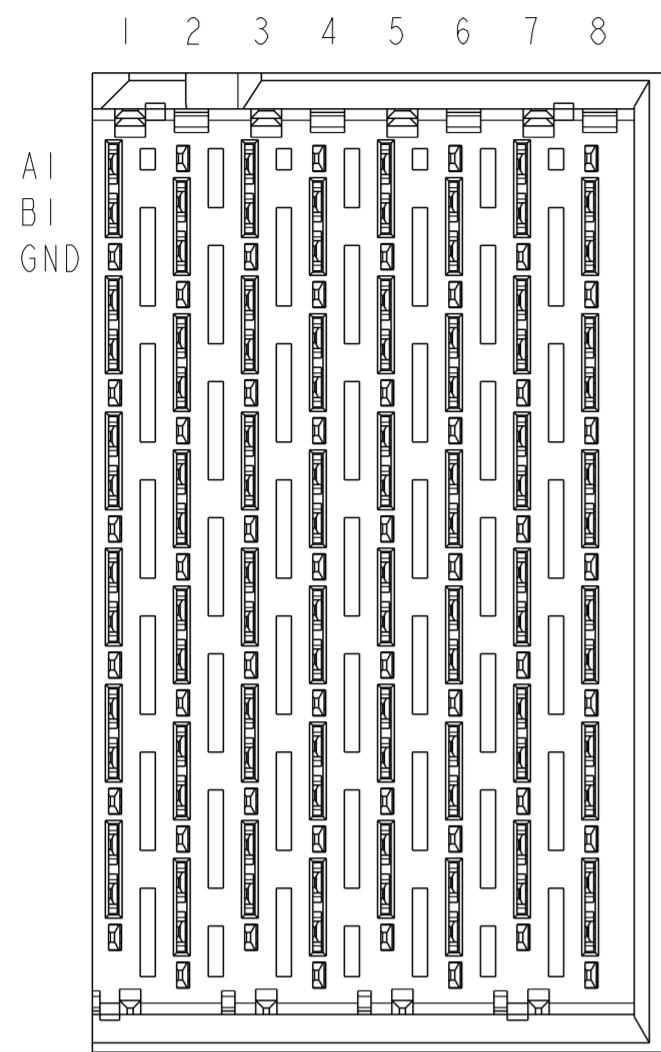
SEE DETAIL A
ON SHEET 8 FOR PINOUT DETAILS

BP HOLE PATTERN COMPONENT SIDE

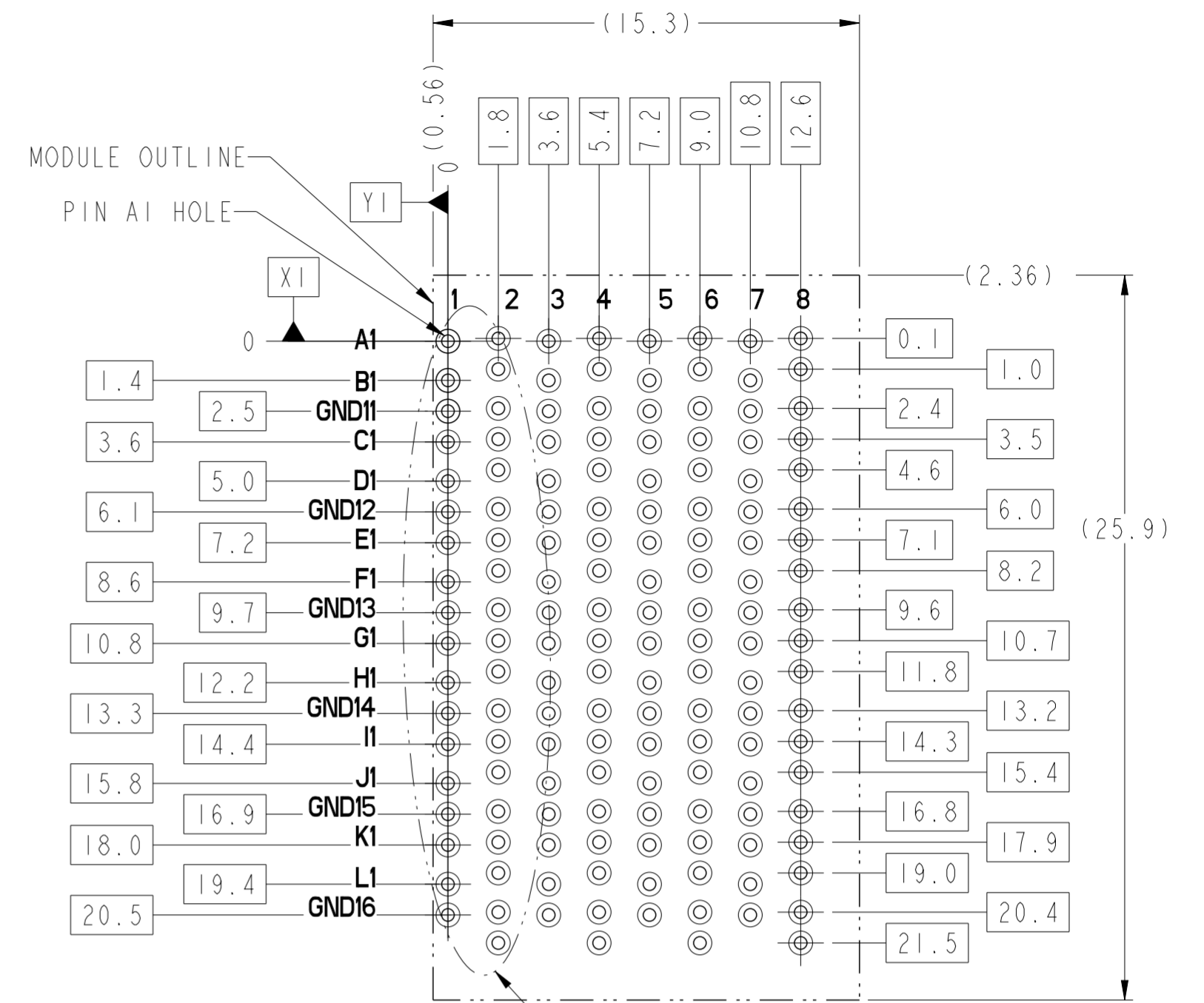
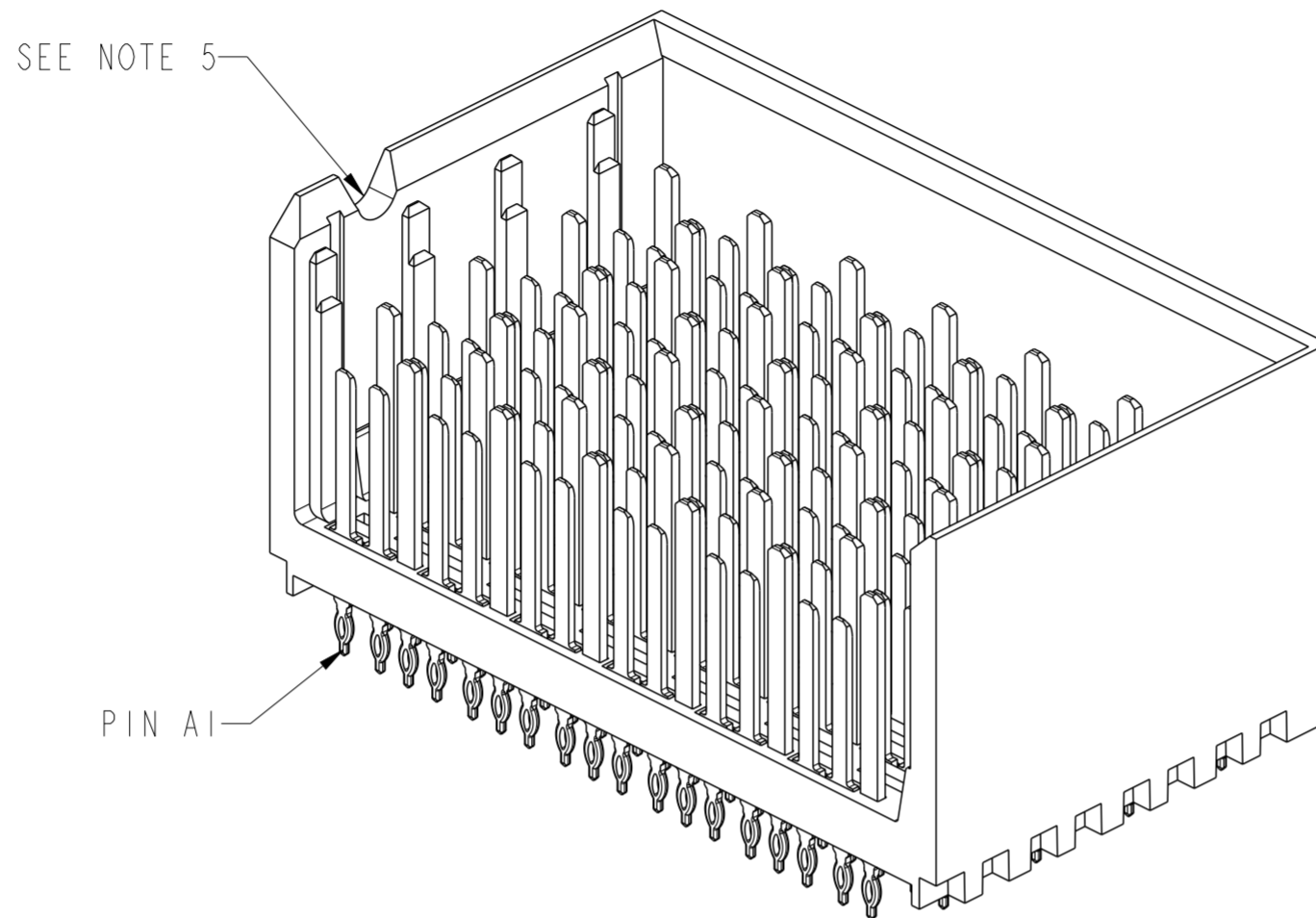
LEFT WALL MODULE BACKPLANE FOOTPRINT



spec ref	-	dr	Yong-Keat Lim	2012/02/23	projection	MM	size	A2	scale	5:1
tolerance std	ASME Y14.5	eng	Sandar Soe	2013/03/20			ecn no	ELX-8-14229-1		
TOLERANCES UNLESS OTHERWISE SPECIFIED		chr	-	appr			Chen-Hong Tan	2013/04/09	product family	XCEDE HD
surface	linear	0.X	±0.3		VERTICAL HEADER ASSEMBLY XCEDE HD 6 PAIR, 8 COLUMN	dwg no 10120132	rev B	Product - Customer Draw		
	0.XX	±0.10	sheet 3 of 8							
	0.XXX	±0.05								
ASME Y14.5	angular	0°	±2°	www.fci.com	cat. no.	-		STATUS: Released		



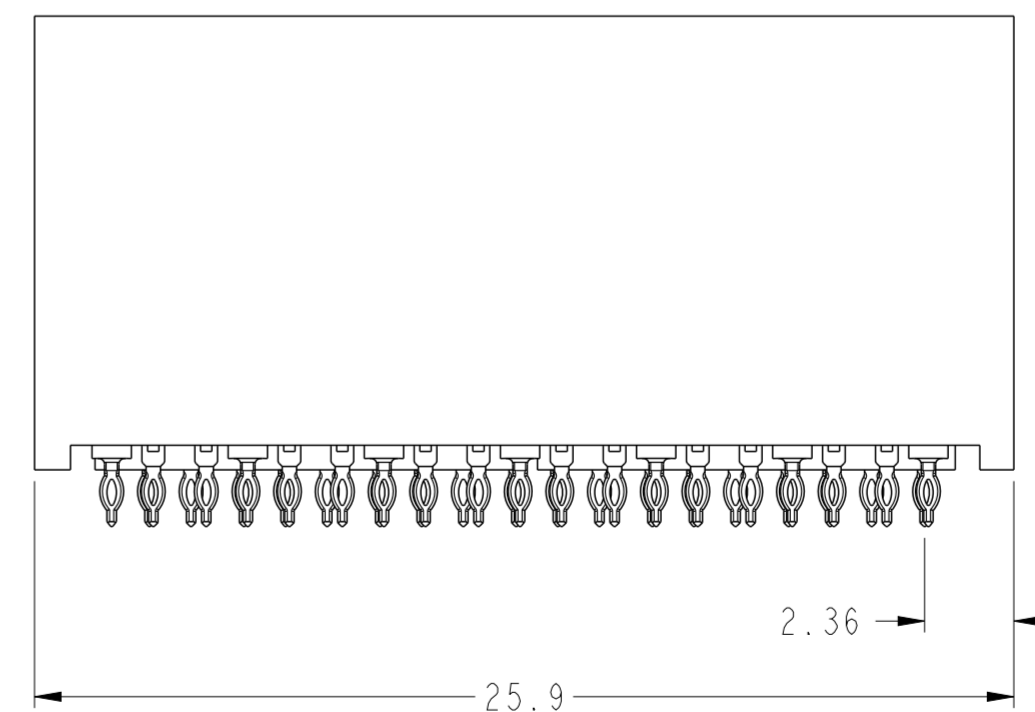
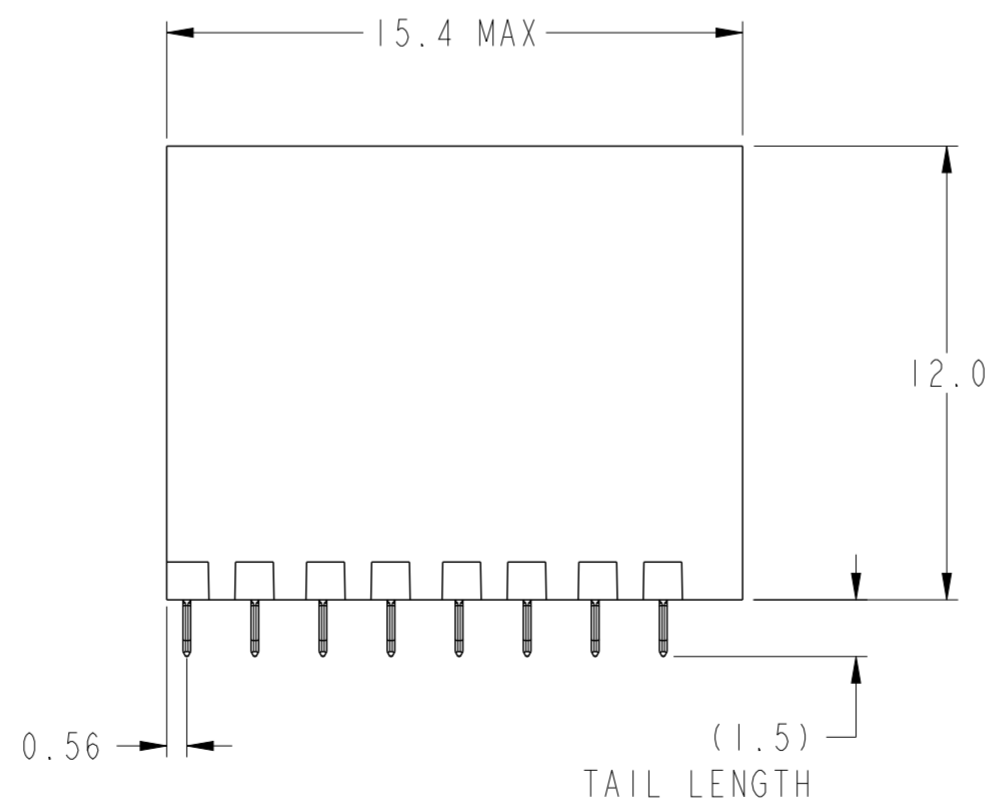
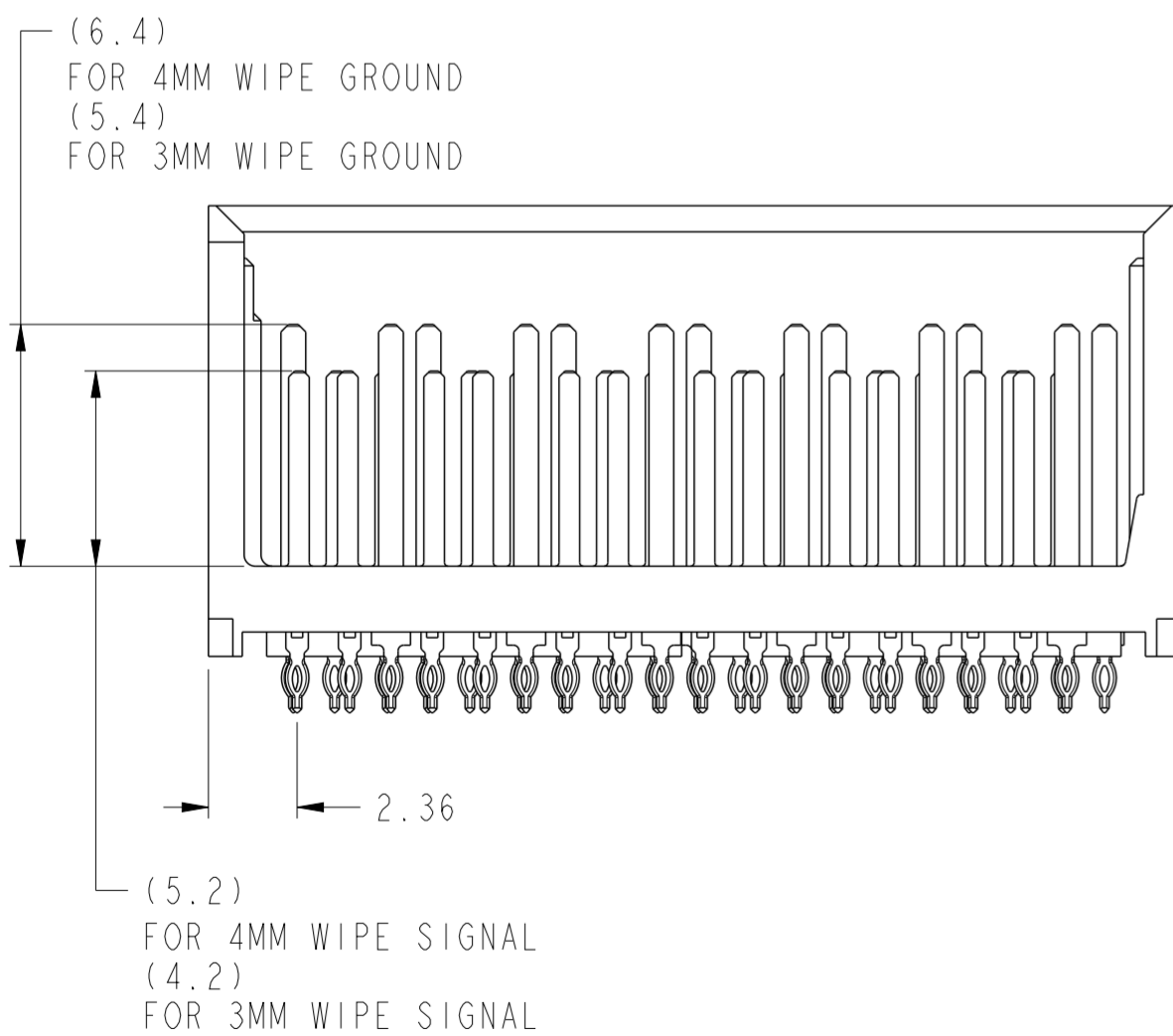
RIGHT WALL MODULE



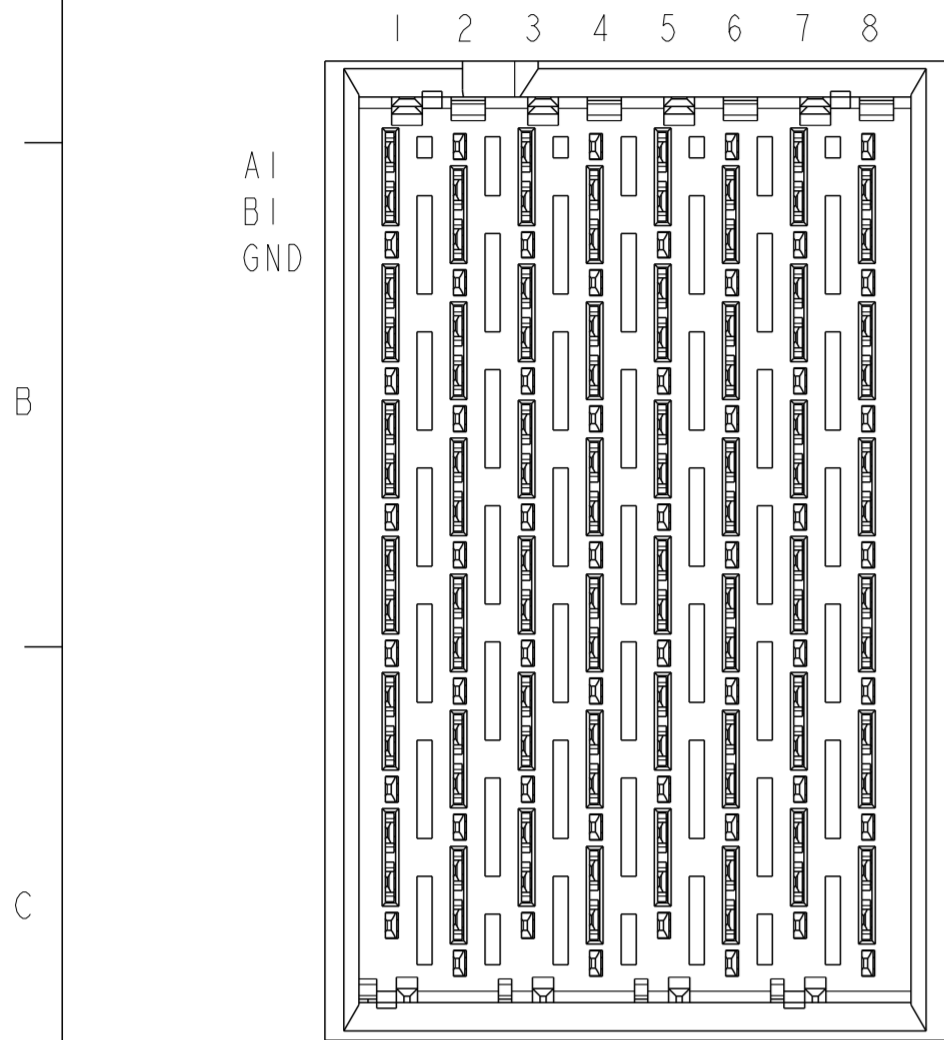
SEE DETAIL A ON SHEET 8 FOR PINOUT DETAILS

BP HOLE PATTERN COMPONENT SIDE

RIGHT WALL MODULE BACKPLANE FOOTPRINT

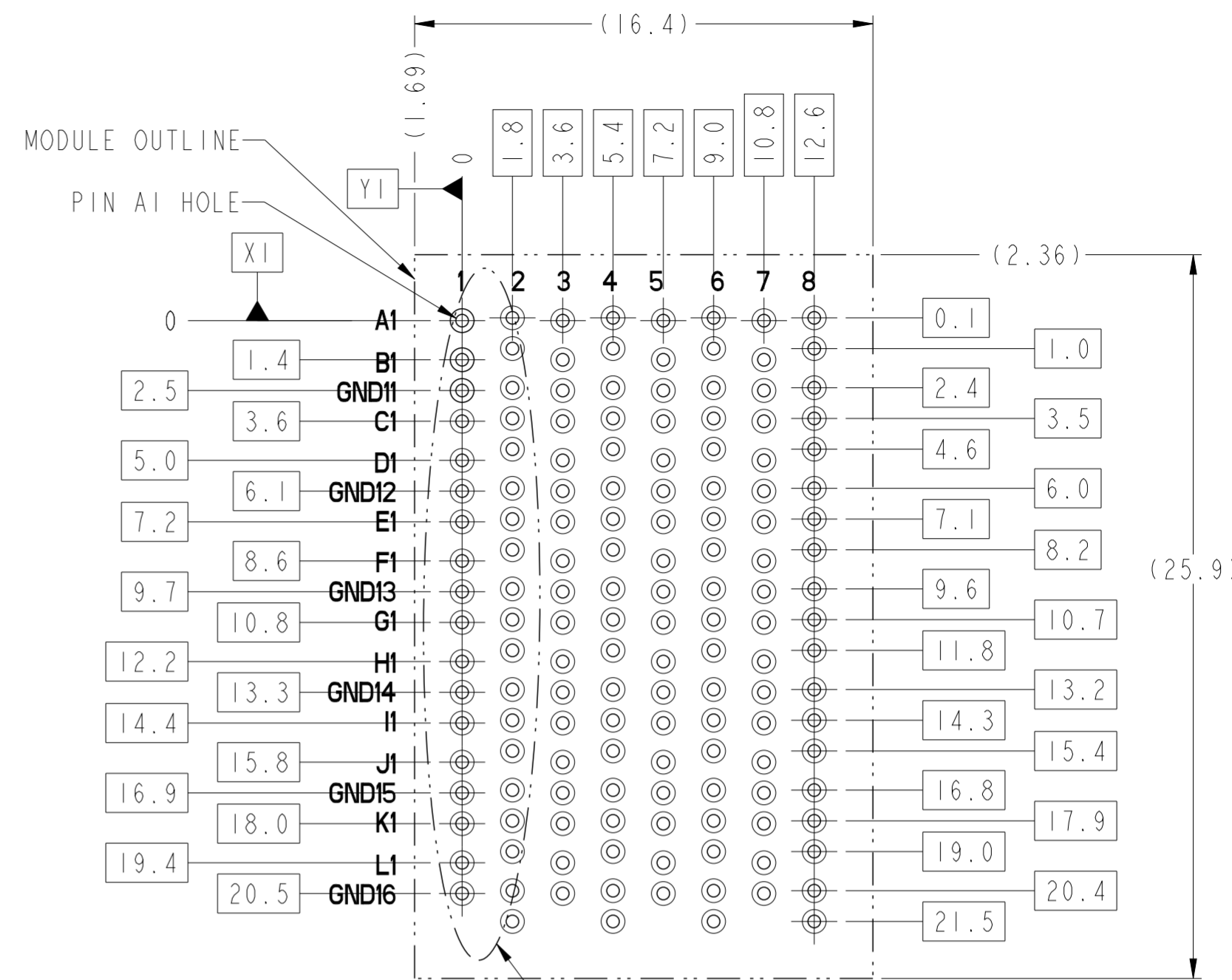
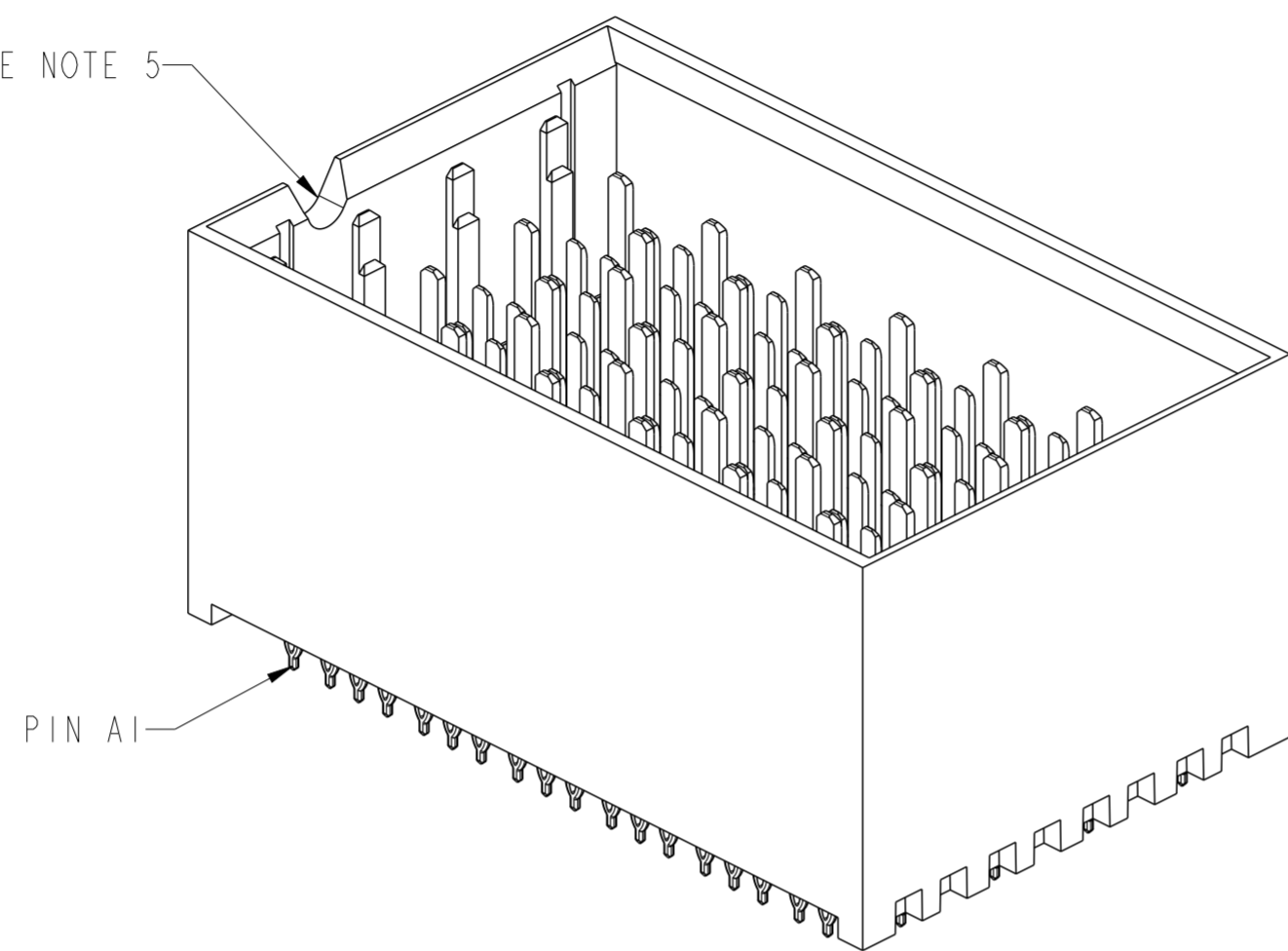


spec ref	-	dr	Yong-Keat Lim	2012/02/23	projection	MM	size	A2	scale	5:1									
tolerance std	ASME Y14.5	eng	Sandar Soe	2013/03/20			ecn no	ELX-8-14229-1	rel level	Released									
TOLERANCES UNLESS OTHERWISE SPECIFIED		chr	-	appr							Chen-Hong Tan	2013/04/09	product family	XCEDE HD					
surface	<table border="1"> <tr> <td>linear</td> <td>0.X</td> <td>±0.3</td> </tr> <tr> <td></td> <td>0.XX</td> <td>±0.10</td> </tr> <tr> <td></td> <td>0.XXX</td> <td>±0.05</td> </tr> <tr> <td>angular</td> <td>0°</td> <td>±2°</td> </tr> </table>	linear	0.X	±0.3		0.XX	±0.10		0.XXX	±0.05	angular	0°	±2°			VERTICAL HEADER ASSEMBLY XCEDE HD 6 PAIR, 8 COLUMN		dwg no 10120132	rev B
linear	0.X	±0.3																	
	0.XX	±0.10																	
	0.XXX	±0.05																	
angular	0°	±2°																	
ASME Y14.5		www.fci.com		cat. no.	Product - Customer Drw		sheet 4 of 8												



FOUR WALL MODULE

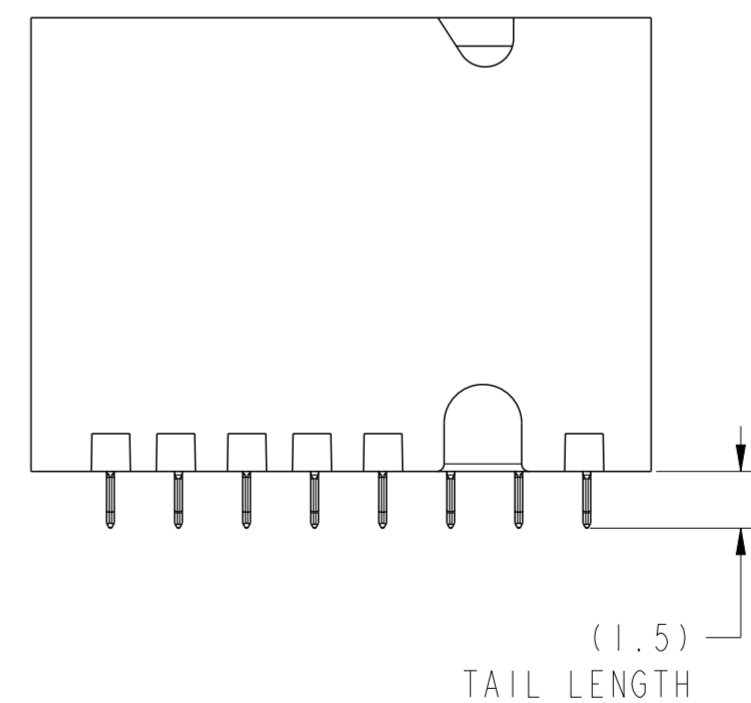
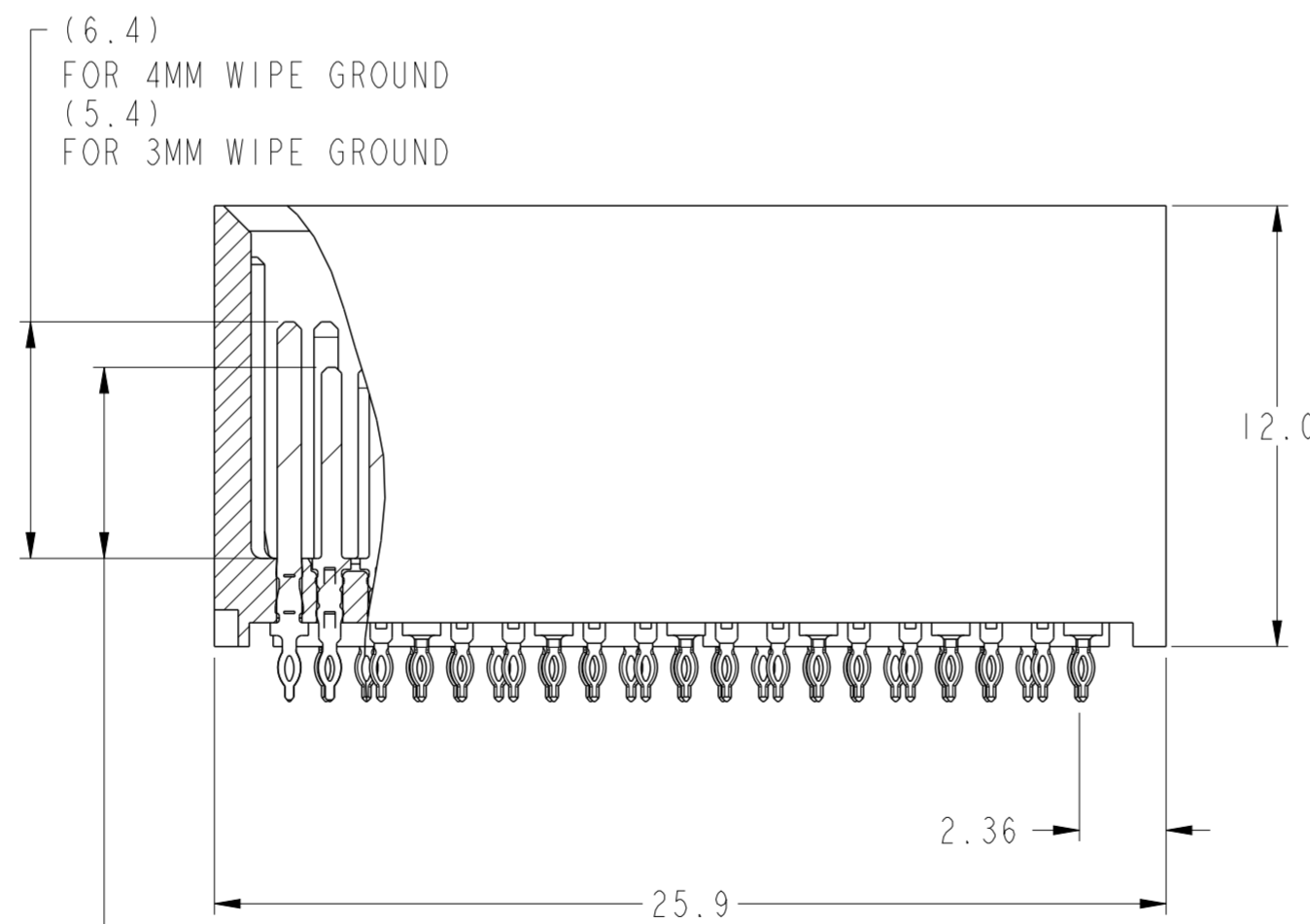
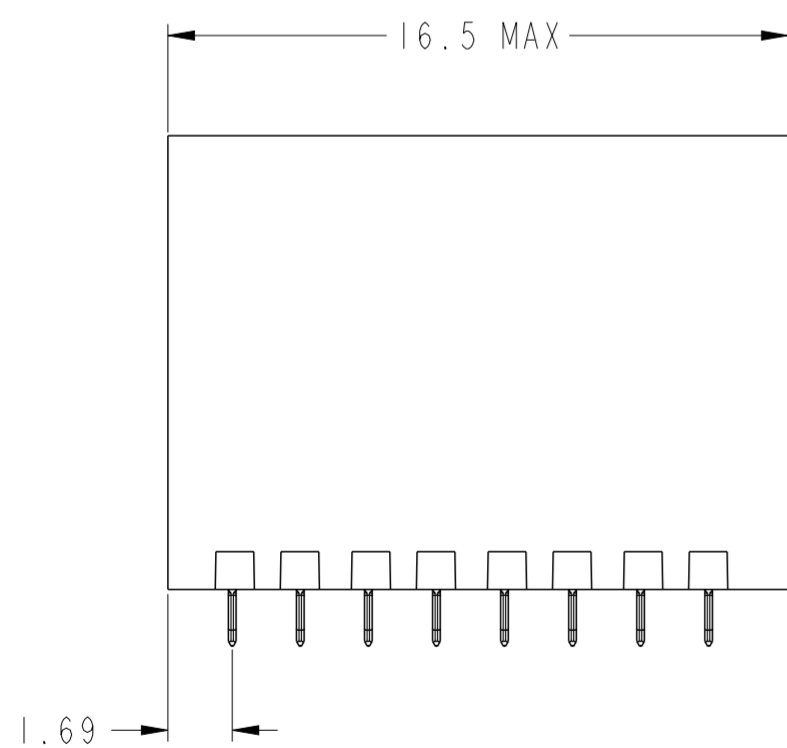
SEE NOTE 5



SEE DETAIL A ON SHEET 8 FOR PINOUT DETAILS

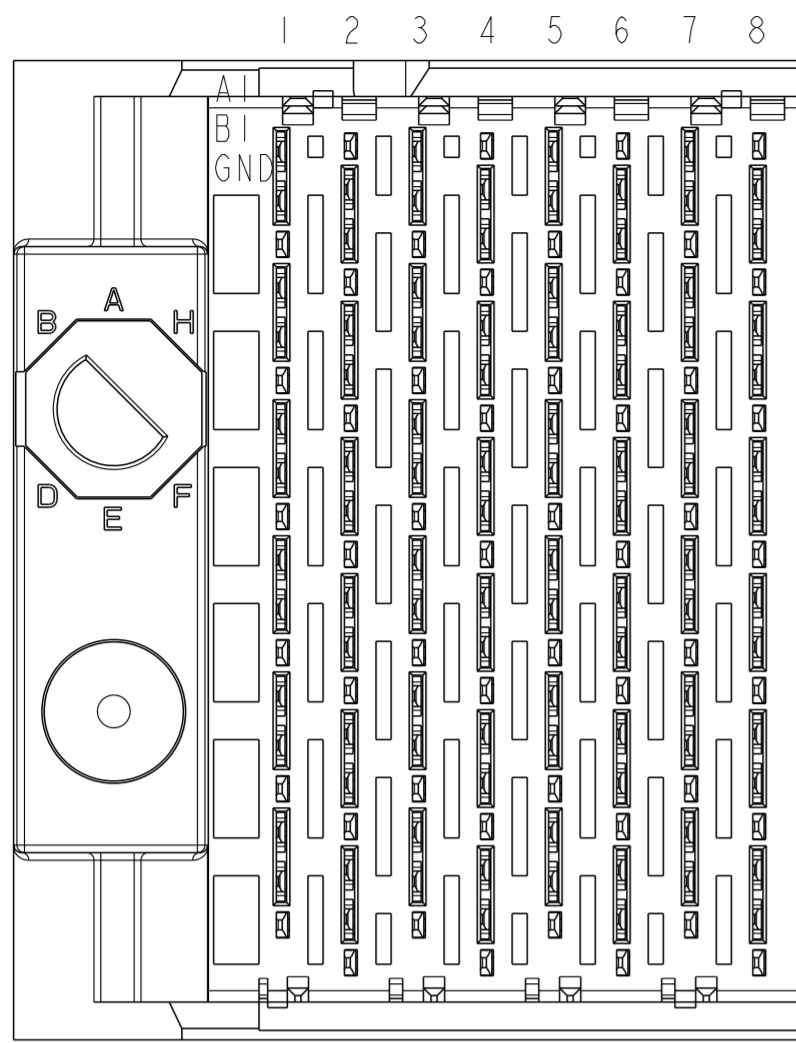
BP HOLE PATTERN COMPONENT SIDE

FOUR WALL MODULE BACKPLANE FOOTPRINT

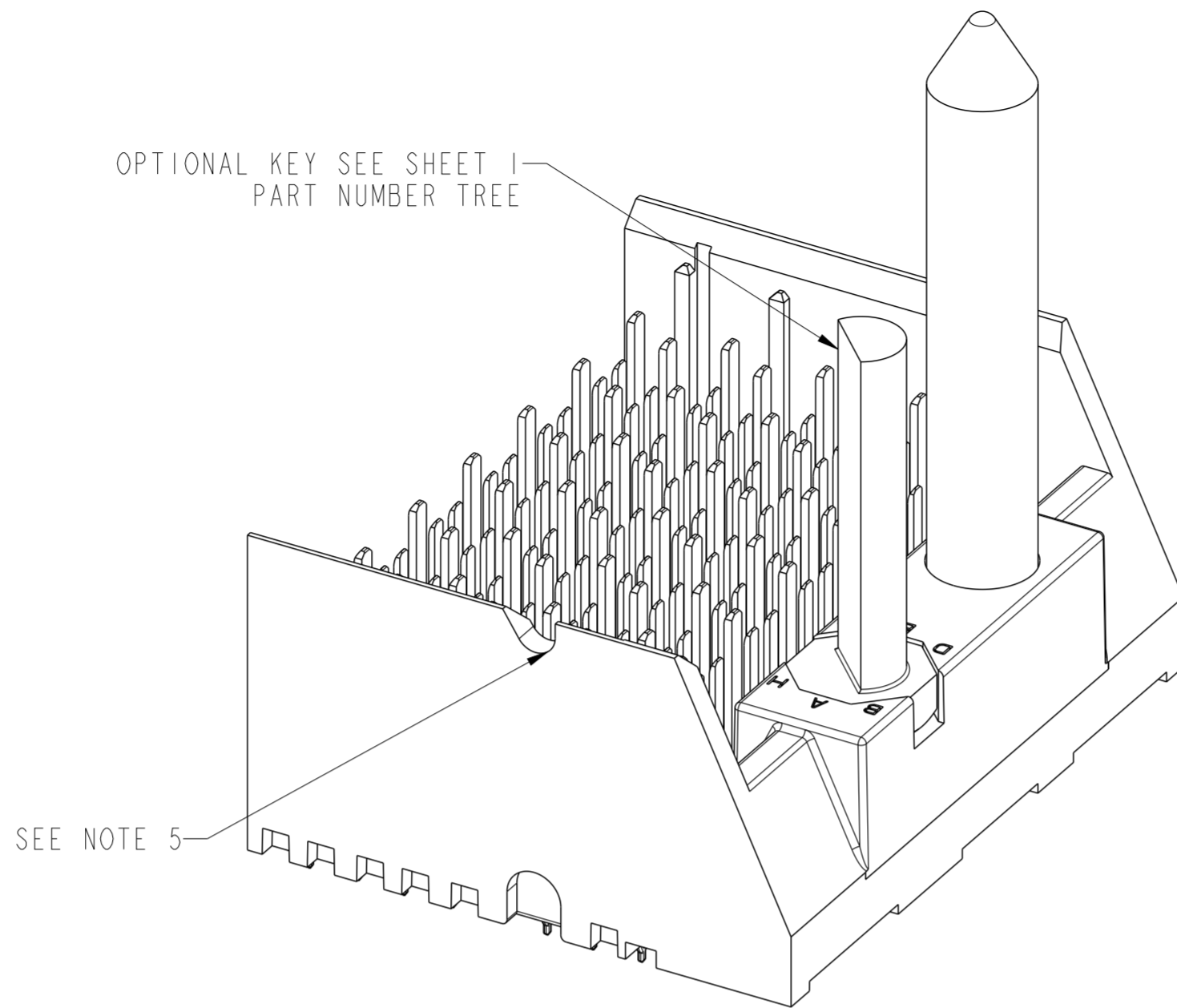


Copyright FCI.

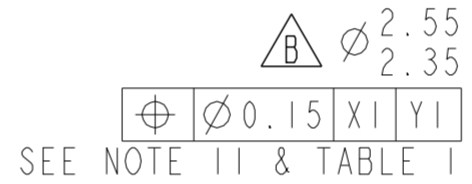
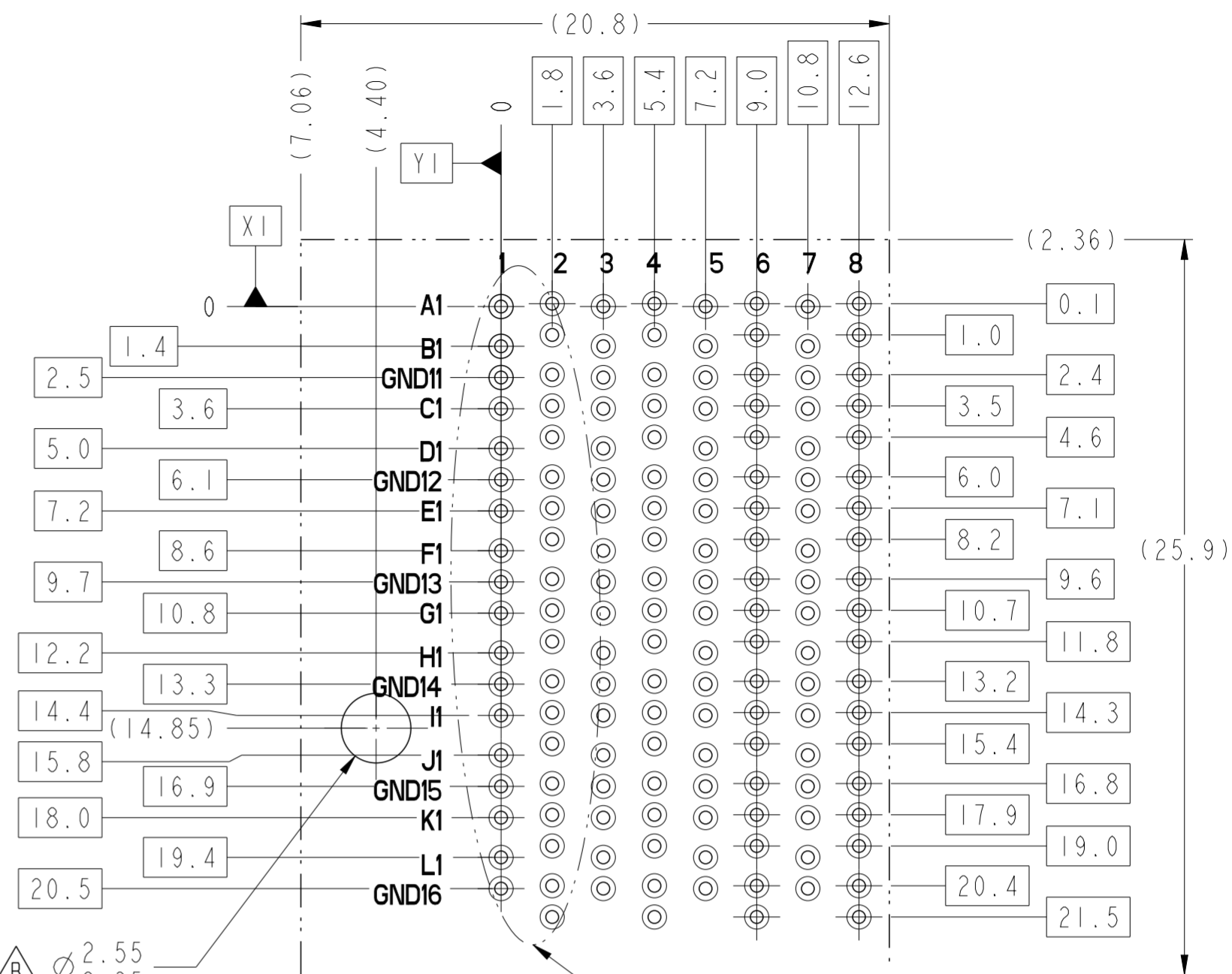
spec ref	-	dr	Yong-Keat Lim	2012/02/23	projection	MM	size	A2	scale	5:1
tolerance std	ASME Y14.5	eng	Sandar Soe	2013/03/20			ecn no	ELX-8-14229-1		
TOLERANCES UNLESS OTHERWISE SPECIFIED		chr	-	rel level			Released			
surface	linear	appr	Chen-Hong Tan	2013/04/09	product family	XCEDE HD	rel level	Blue		
ASME Y14.5	angular	0°	±2°	0.X ±0.3	0.XX ±0.10	0.XXX ±0.05	dwg no	10120132		
www.fci.com		cat. no.	-		Product - Customer Drw	sheet 5 of 8	rev	B		



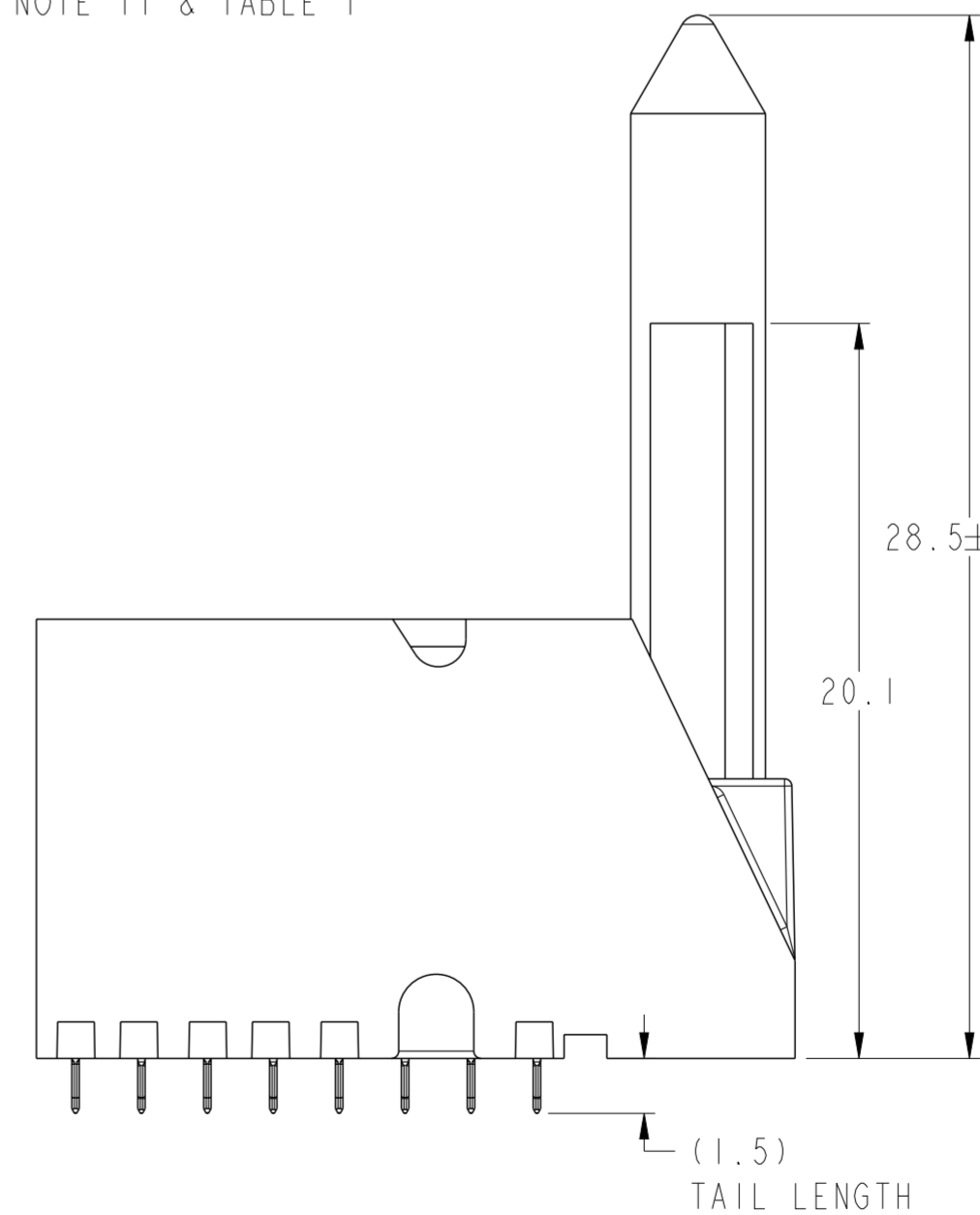
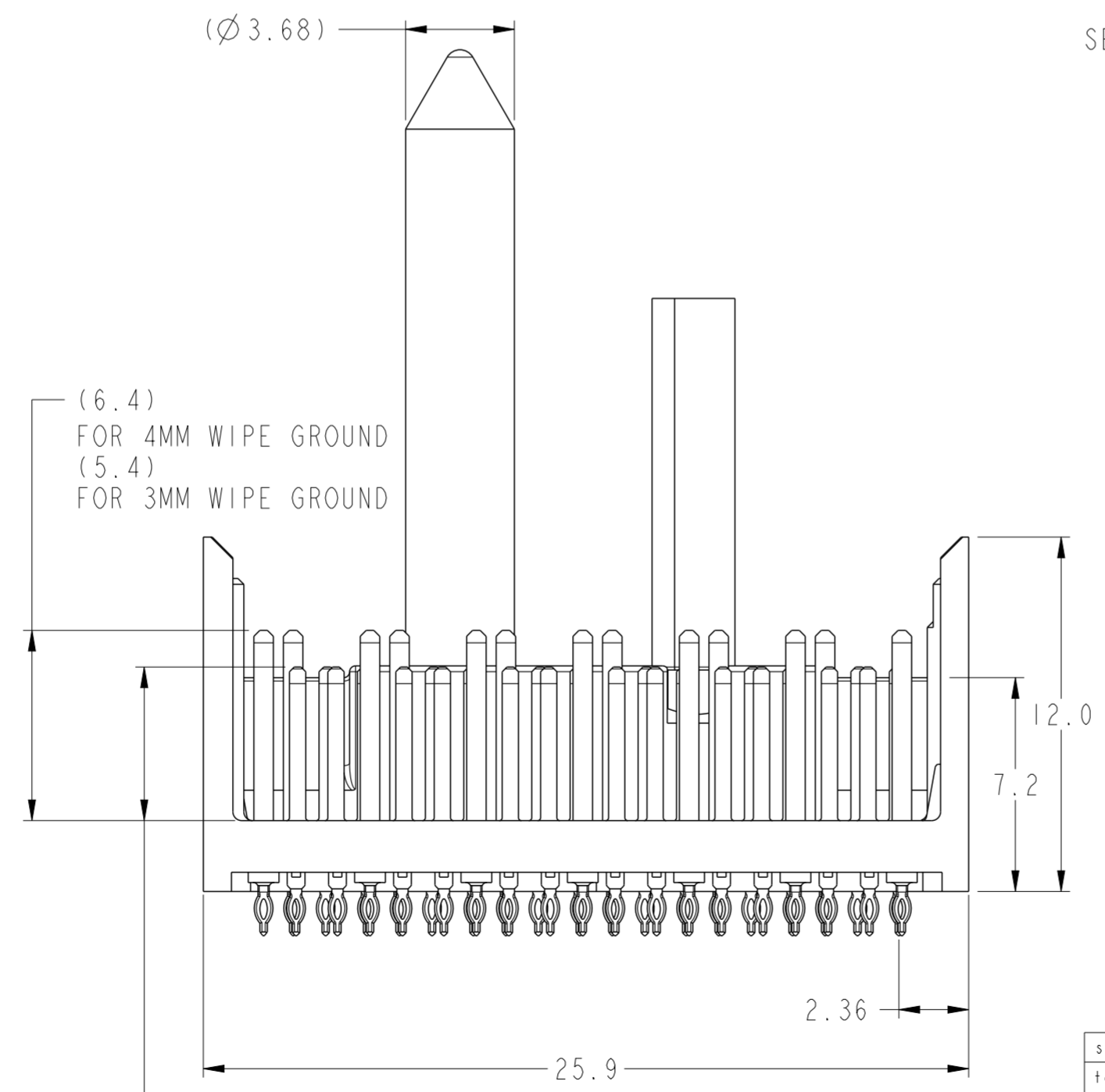
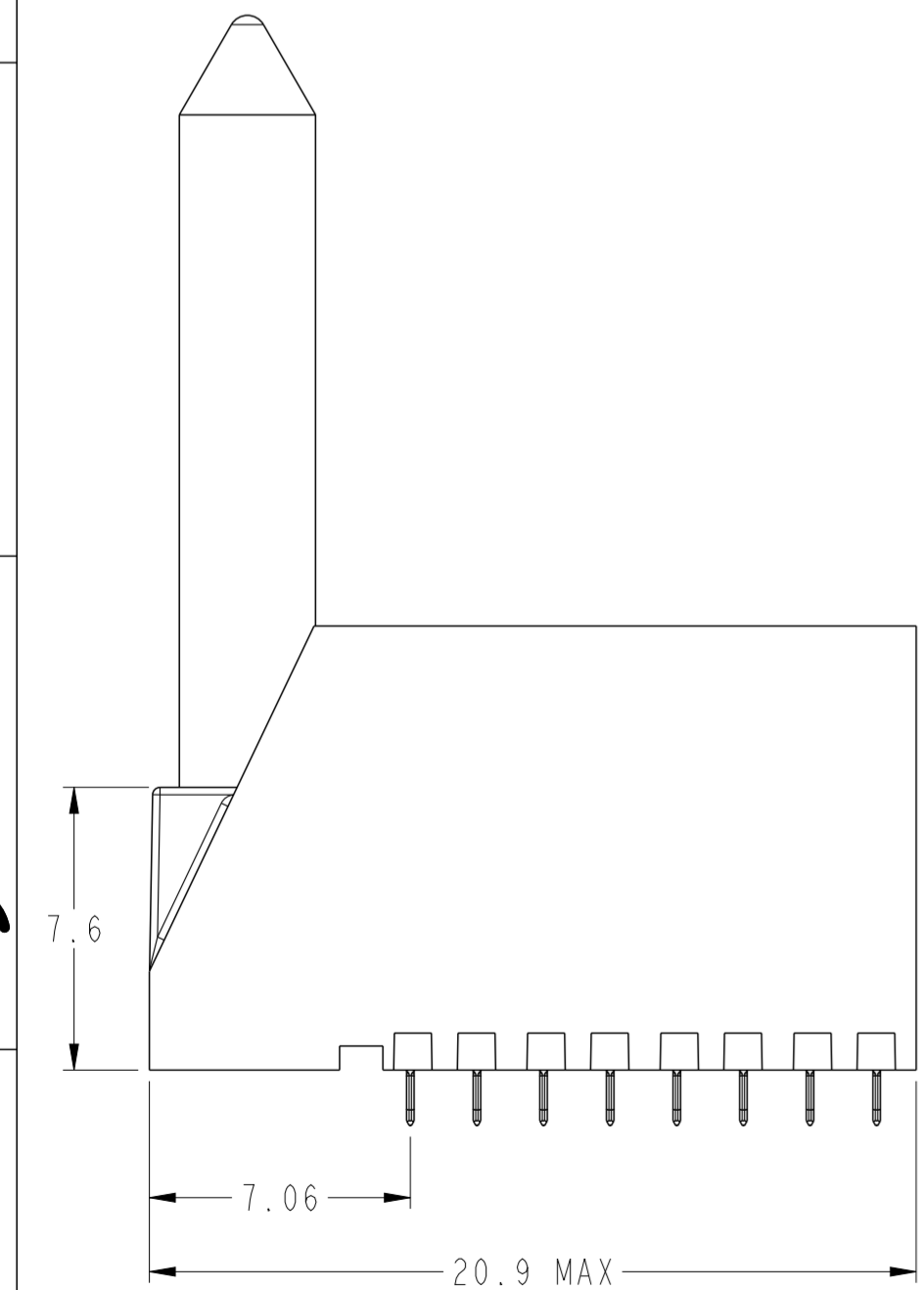
LEFT POLARIZING / GUIDE MODULE



SEE NOTE 5

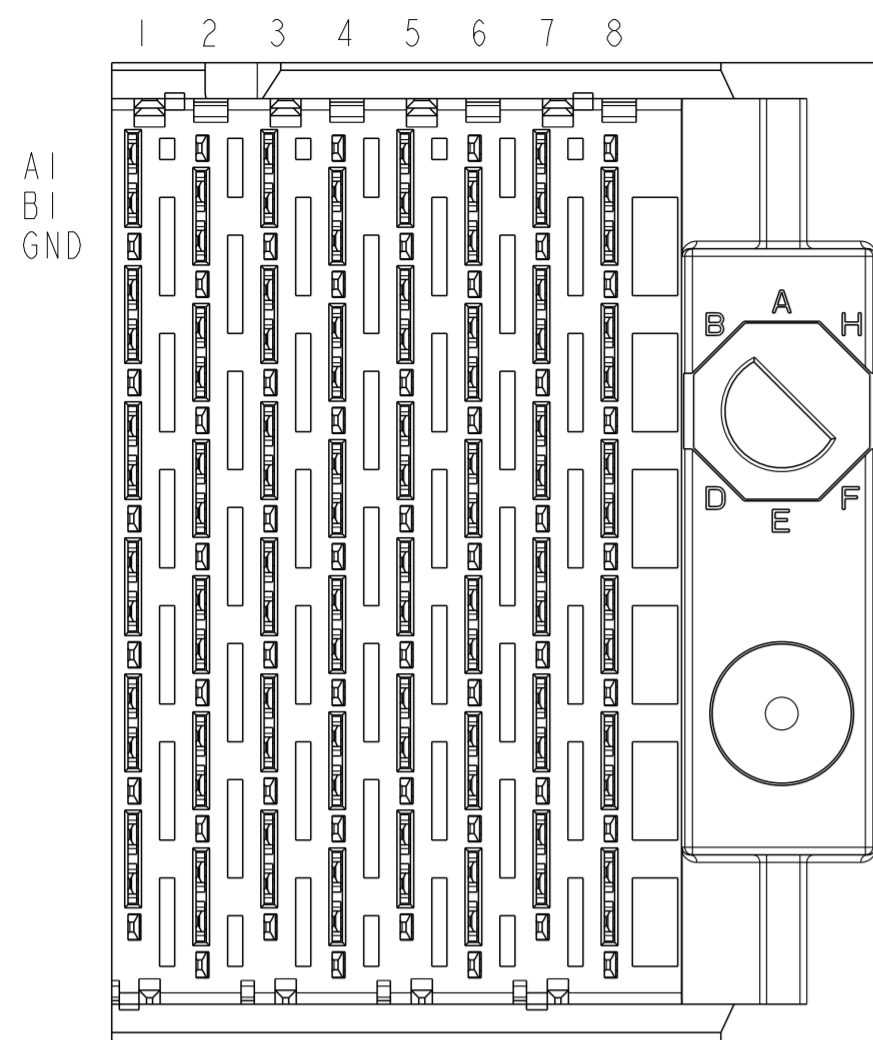


SEE DETAIL A ON SHEET 8 FOR PINOUT DETAILS

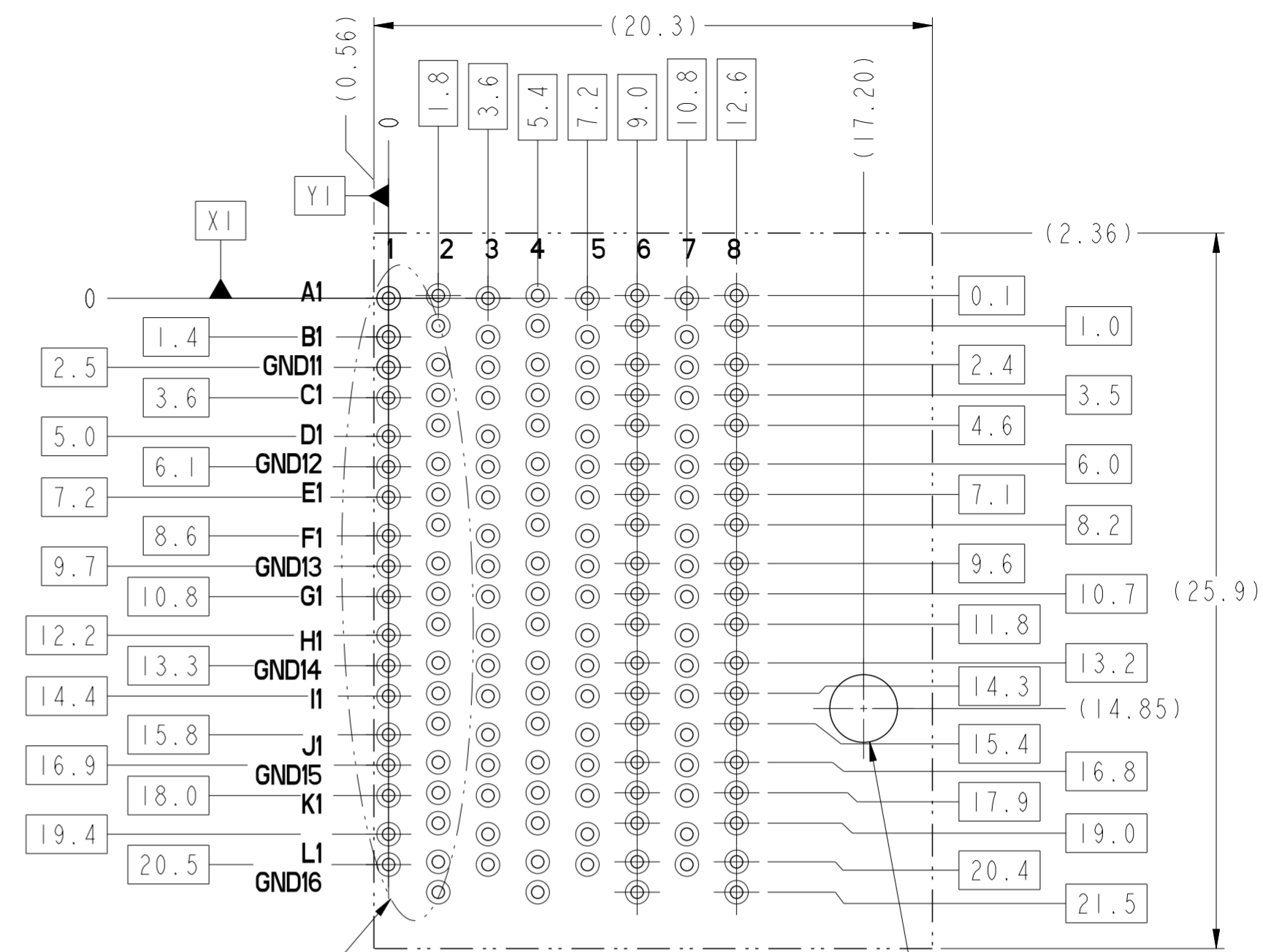
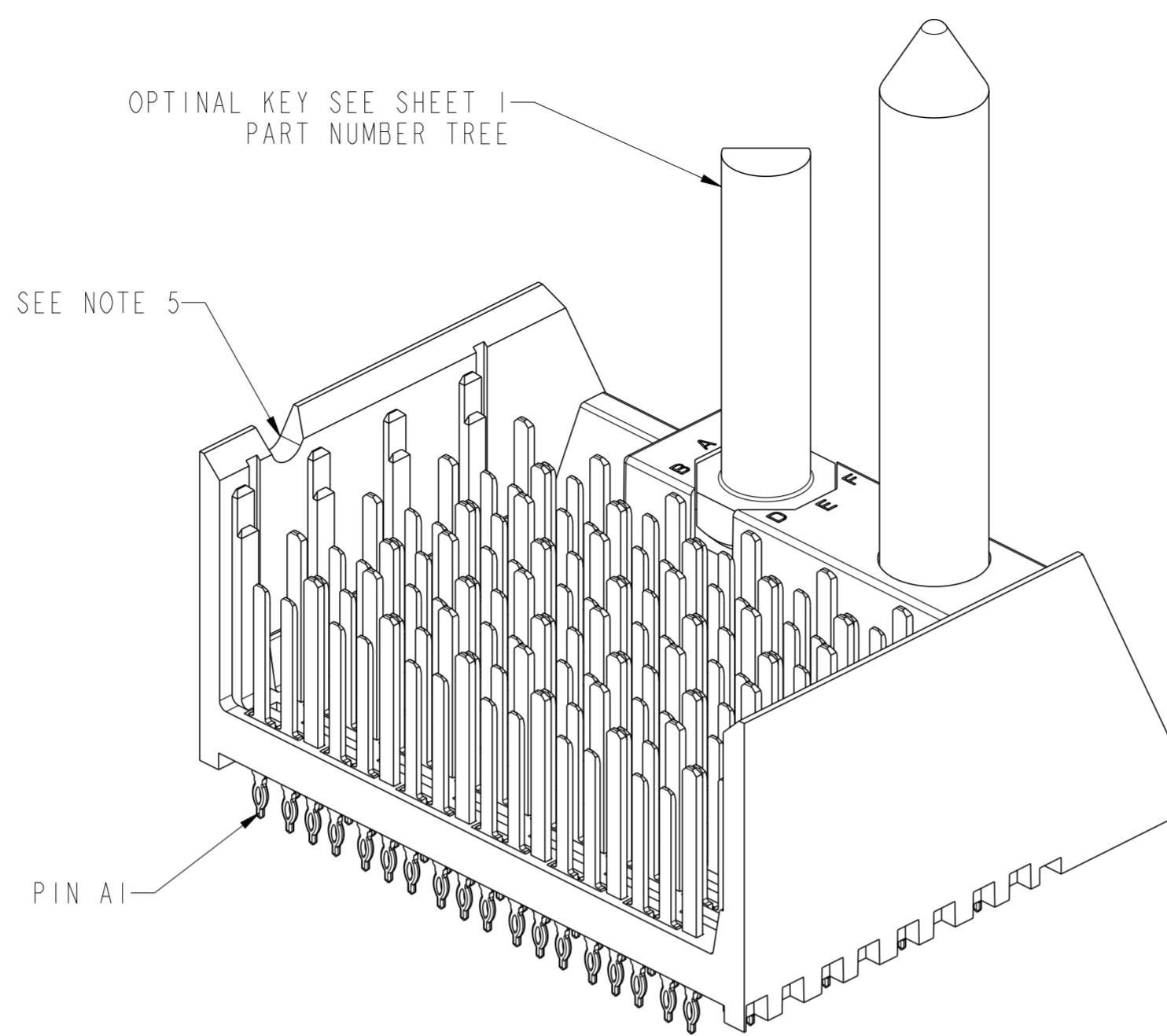


BP HOLE PATTERN COMPONENT SIDE
LEFT POLARIZING GUIDE MODULE
BACKPLANE FOOTPRINT

spec ref	-	dr	Yong-Keat Lim	2012/02/23	projection	MM	size	A2	scale	5:1	
tolerance std	ASME Y14.5	eng	Sandar Soe	2013/03/20	chr	-	ecn no	ELX-8-14229-1	rel level	Released	
surface	linear	appr	Chen-Hong Tan	2013/04/09	product family	XCEDE HD	rel level	Released	title	VERTICAL HEADER ASSEMBLY	
ASME Y14.5	angular	0°	±2°	0.X	±0.3	0.XX	±0.10	0.XXX	±0.05	www.fci.com	
				cat. no.		Product - Customer Drw		sheet 6 of 8		rev	B



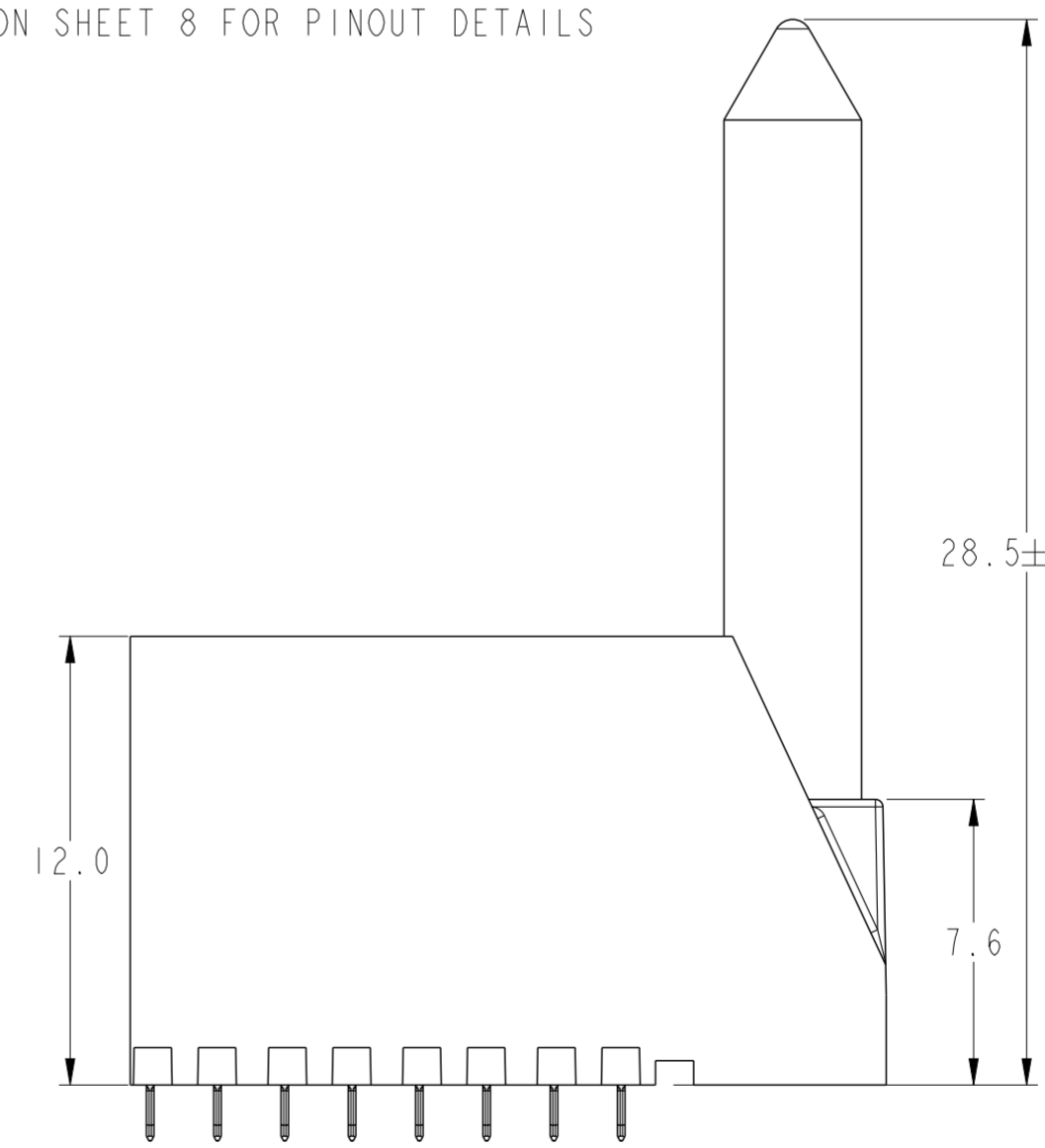
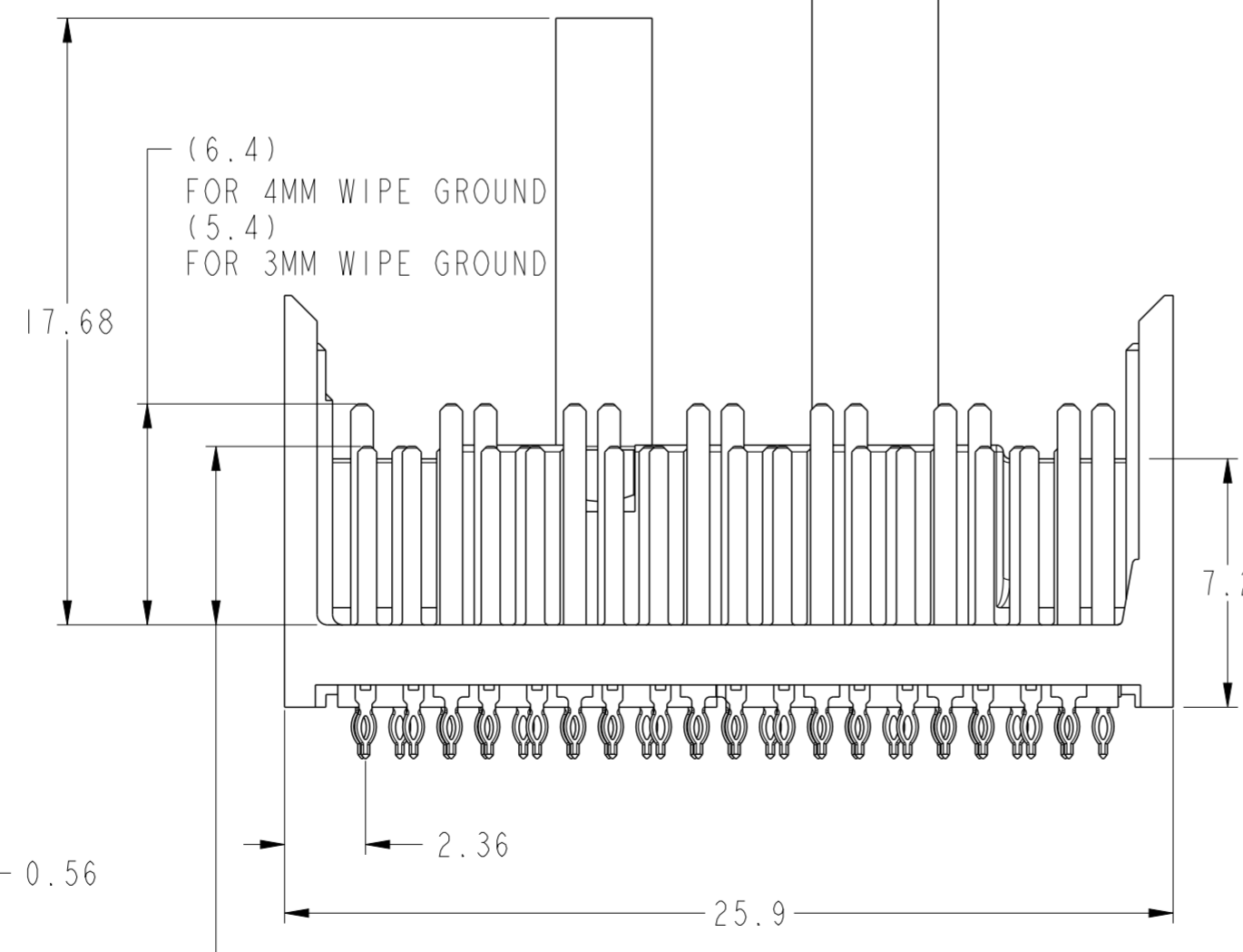
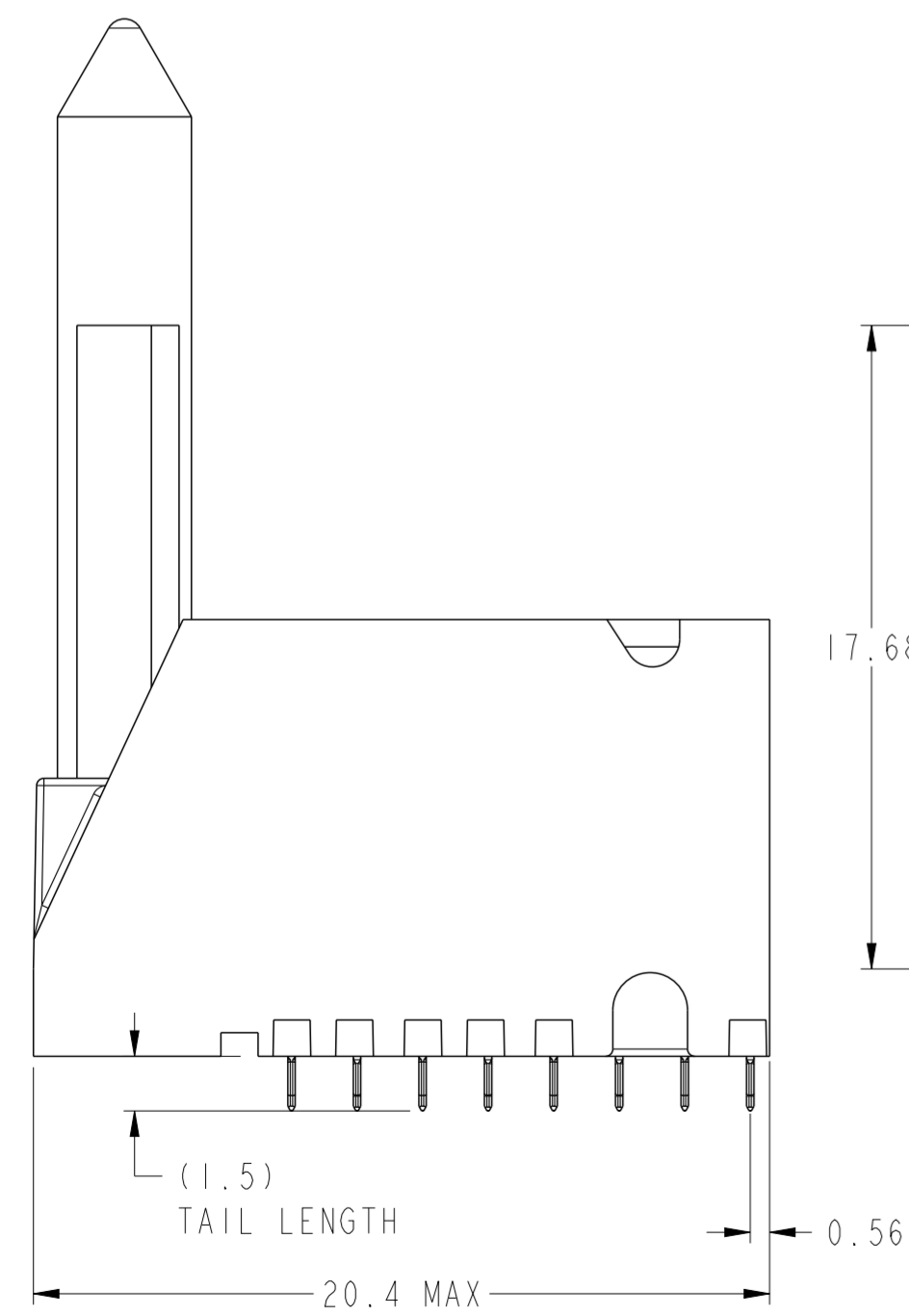
RIGHT POLARIZING GUIDE MODULE



SEE DETAIL A ON SHEET 8 FOR PINOUT DETAILS

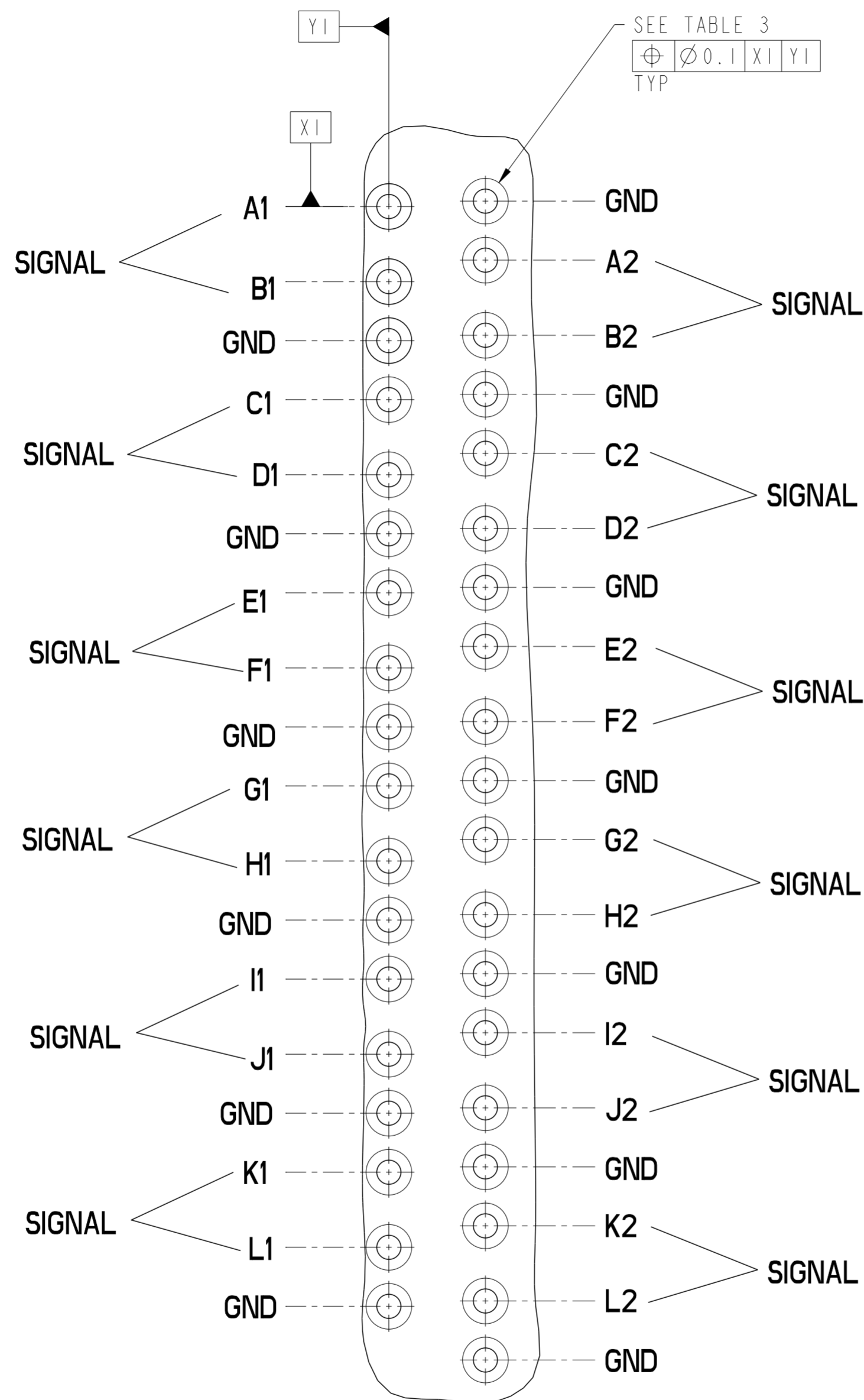
$\varnothing 2.55$ $\varnothing 2.35$ $\varnothing 0.15$ XI YI
 SEE NOTE 11 & TABLE I

BP HOLE PATTERN COMPONENT SIDE
**RIGHT POLARIZING GUIDE MODULE
 BACKPLANE FOOTPRINT**



(6.4) FOR 4MM WIPE GROUND
 (5.4) FOR 3MM WIPE GROUND
 (5.2) FOR 4MM WIPE SIGNAL
 (4.2) FOR 3MM WIPE SIGNAL

spec ref	-	dr	Yong-Keat Lim	2012/02/23	projection	MM	size	A2	scale	5:1
tolerance std	ASME Y14.5	eng	Sandar Soe	2013/03/20	chr	-	ecn no	ELX-8-14229-1	rel level	Released
surface	linear	appr	Chen-Hong Tan	2013/04/09	product family	XCEDE HD	cat. no.	10120132	rev	B
	angular						www.fci.com	Product - Customer Draw	sheet 7 of 8	



DETAIL A
SCALE 12:1
PINOUT DETAILS

TABLE 3		
	COMPLIANT PIN DRILL $\varnothing 0.55[0.0217"]$	COMPLIANT PIN DRILL $\varnothing 0.45[0.0117"]$
PTH	$\varnothing 0.45 \pm 0.05$	$\varnothing 0.36 \pm 0.05$
DRILL	$\varnothing 0.55[0.0217"]$	$\varnothing 0.45[0.0117"]$
PAD	$\varnothing 0.85$	$\varnothing 0.75$

NOTES:

1. CONNECTOR MATERIALS
SHROUD : HIGH-TEMP POLYMER, COLOR : BLACK, UL94V-0
CONTACTS : HIGH PERFORMANCE COPPER ALLOY
2. PRODUCT SPECIFICATION : GS-12-0936
3. APPLICATION SPECIFICATION : GS-20-0348
4. PRODUCT MARKING :
PART NUMBER (10120132-X0E-XXXLF)
"FCI" AND DATE CODE (FCI P#####)
- ⑤ NOTCH DESIGNATES "ROW A" SIDE OF CONNECTOR. NOTCH FEATURE ON OPPOSITE FOR PRODUCT MARKING.
- ⑥ PLATING THICKNESS OF SIGNAL & GROUND CONTACT ARE DETERMINED BY PLATING CODE, REFER TO P/N TREE ON SHEET 1.
7. PACKAGING MEETS GS-14-920 LEAD-FREE LABELING SPECIFICATION.
- ⑧ GUIDE-PIN STYLE DESIGNATION ONLY APPLIES TO MODULE VERSIONS THAT REQUIRE GUIDE-PIN HARDWARE. FOR ALL NON-GUIDE-PIN VERSIONS, THE DEFAULT DASH-NUMBER DIGIT IN THAT LOCATION IS STILL "0".
- ⑨ SEE APPLICATION SPECIFICATION FOR ROUTING GUIDELINES, ADDITIONAL PTH GUIDELINES, MATED DIMENSIONS, GUIDE PIN SELECTION, ETC.
10. A Δ SYMBOL WILL BE NEXT TO ANY DIMENSION, VIEW OR NOTE THAT HAS BEEN MODIFIED WITH THE CURRENT DRAWING REVISION.
- Δ ⑪ OPTIONAL HOLE LOCATION FOR GROUNDED PIN OR ADDITIONAL GUIDE-PIN SUPPORT. SEE TABLE 1 SHEET 1 FOR ADDITIONAL DETAILS.
- Δ ⑫ SCREW IS OPTIONAL AND ENGAGES WITH BOTTOM OF GUIDE PIN FROM BENEATH THE PCB FOR ADDITIONAL GUIDE-PIN SUPPORT.



Copyright FCI.

spec ref	-	dr	Yong-Keat Lim	2012/02/23	projection	MM	size	A2	scale	3:1		
tolerance std	ASME Y14.5	eng	Sandar Soe	2013/03/20			ecn no	ELX-S-14229-1				
TOLERANCES UNLESS OTHERWISE SPECIFIED		chr	-	appr			Chen-Hong Tan	2013/04/09	product family	XCEDE HD	rel level	Released
surface	linear	0.X	± 0.3		VERTICAL HEADER ASSEMBLY		10120132	rev B	sheet 8 of 8			
		0.XX	± 0.10		XCEDE HD 6 PAIR, 8 COLUMN							
	angular	0°	$\pm 2^\circ$		www.fci.com	cat. no.			-	Product - Customer Drw		