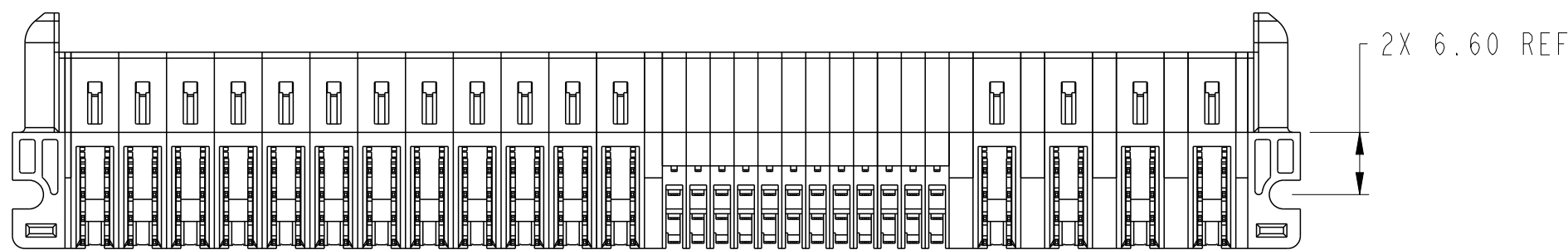
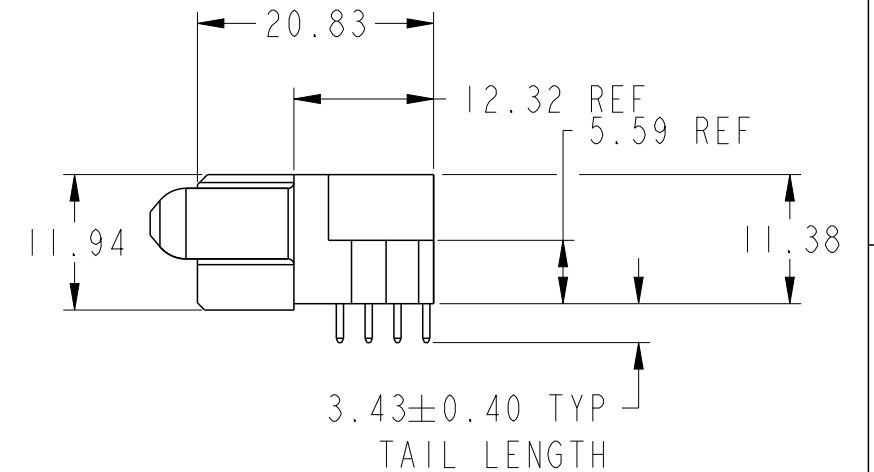
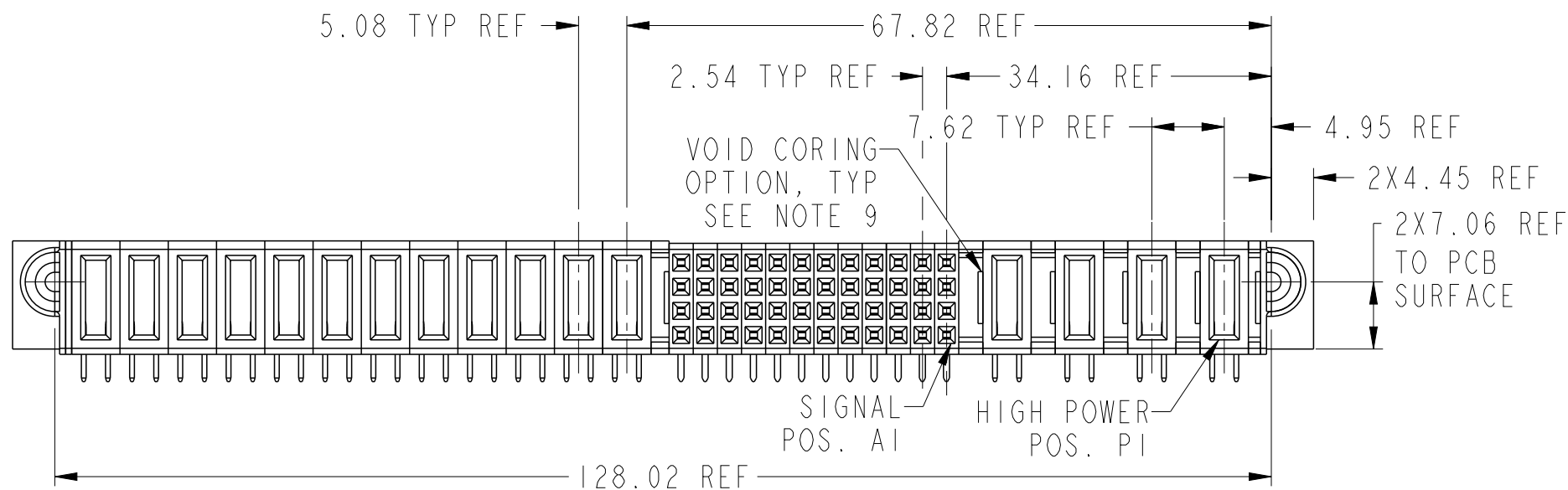
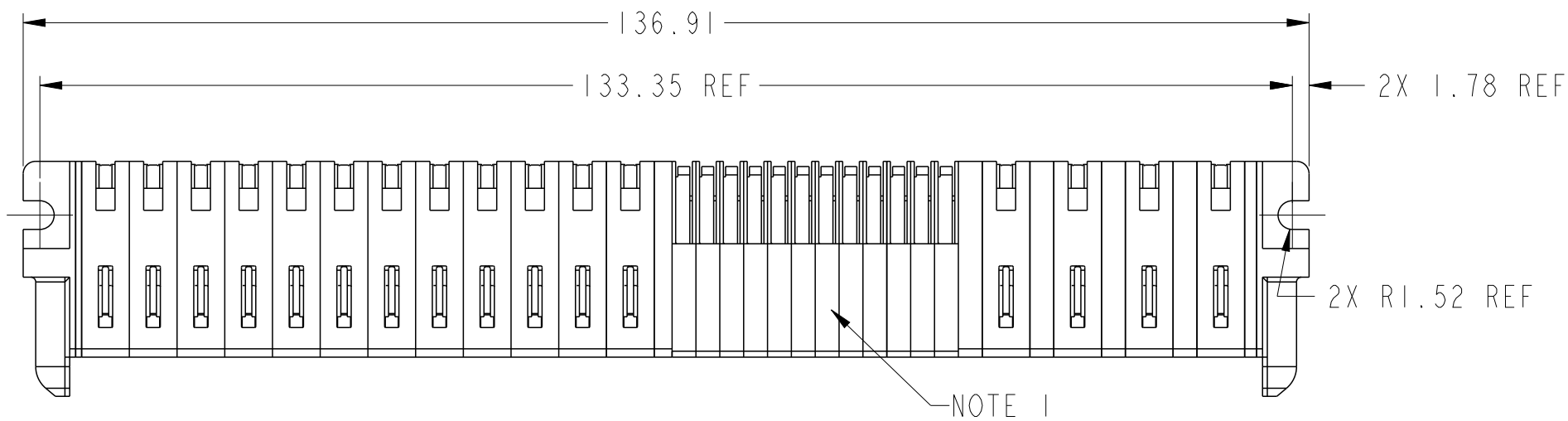
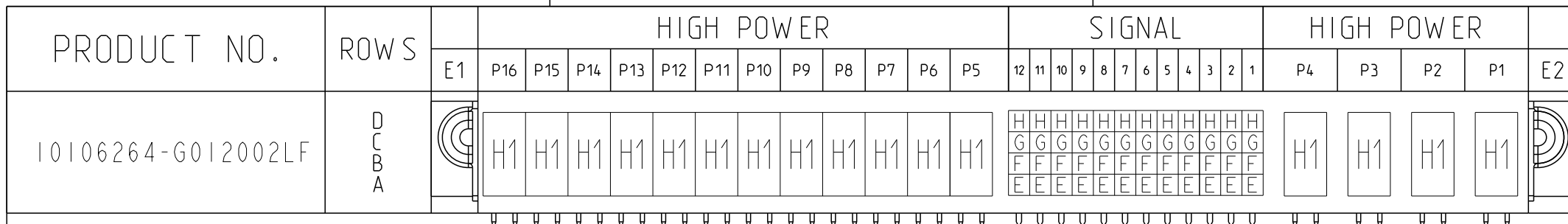


PRODUCT NUMBER SEE SHEET 2

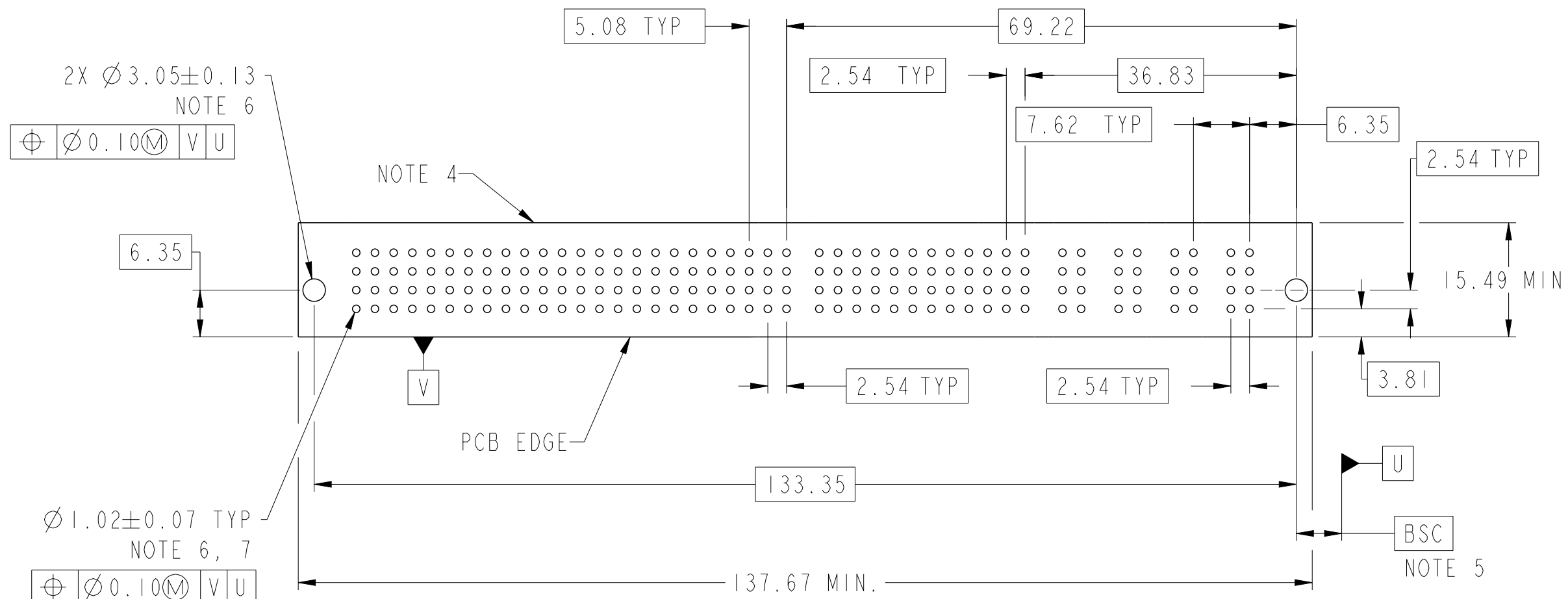


Copyright FCI.

spec ref	*	dr	Eddy Zeng	2013/11/21	projection	MM	size	A3	scale	3:2
tolerance std	ASME Y14.5	eng	Eddy Zeng	2013/11/26			ecn no	-	rel level	Released
TOLERANCES UNLESS OTHERWISE SPECIFIED		chr	Li-He	2013/11/26						
surface	<input checked="" type="checkbox"/> linear <input type="checkbox"/> angular	appr	Pei-Ming Zheng	2013/11/26			0.X ±0.5 0.XX ±0.25 0.XXX ±0.10	title 4ACP + 48S + 12HDP RA STB RECEPTACLE	dwg no 10106264-G012002	rev A
ASME Y14.5	0° ±2°	www.fci.com		cat. no.	Product - Customer Drw		sheet 1 of 3			



CODE	DESCRIPTION
E	STD SIGNAL CONTACT, ROW A
F	STD SIGNAL CONTACT, ROW B
G	STD SIGNAL CONTACT, ROW C
H	STD SIGNAL CONTACT, ROW D
HI	MFBL HIGH POWER CONTACT(3.43)



dr	Eddy Zeng	2013/11/21	projection	MM	size	A3	scale	3:2
eng	Eddy Zeng	2013/11/26			ecn no		-	
chr	Li-He	2013/11/26			rel level		Released	
appr	Pei-Ming Zheng	2013/11/26	product family	PwrBlade+				
			4ACP + 48S + 12HDP		dwg no		10106264-G012002	
www.fci.com			RA STB RECEPTACLE		rev		A	
cat. no.			Product - Customer Drw			sheet 2 of 3		

Copyright FCI.

NOTES:

- 1) "FCI", PART NUMBER AND DATE CODE TO BE MARKED ON THIS SURFACE.
THE MARK CAN BE OMITTED IF THERE IS NOT ENOUGH SPACE ON THIS SURFACE.
- 2) MATERIALS:
-HOUSING - GLASS FILLED WITH HIGH TEMP THERMOPLASTIC, UL94V-0.
-SIGNAL CONTACT - COPPER ALLOY.
-POWER CONTACT - HIGH CONDUCTIVITY COPPER ALLOY.
- 3) PLATING SPECIFICATION REFER TO FCI 10116351
- 4) DENOTES CONNECTOR KEEP OUT ZONE.
- 5) DATUM AND BASIC DIMENIONS WERE ESTABLISHED BY CUSTOMER.
- 6) ALL HOLE DIAMETERS ARE FINISHED HOLE SIZES.
- 7) 1.15 ± 0.025 MM DRILLED HOLE PLATED WITH 0.00762MM MIN Sn
OVER 0.0254-0.0762MM Cu PLATING TO ACHIEVE A 1.02 ± 0.07 MM HOLE.
- 8) PRODUCT SPECIFICATION REFER TO FCI GS-12-658.
APPLICATION SPECIFICATION REFER TO FCI GS-20-141.
PRODUCT PACKAGED IN TRAYS, REFER TO FCI GS-14-1502.
- 9) THE VOID CORING IN BETWEEN POWER MODULES, SIGNAL
MODULES AND END MODULES ARE OPTIONAL AND THE SHAPE
MAY BE DIFFERENT FOR OPTIMIZE THE MOLDING PROCESS. THE
VOID CORING WILL NOT EFFECT TO PRODUCT FUNCTION.



Copyright FCI.

dr	Eddy Zeng	2013/11/21	projection 	MM 	size	A3	scale	3:2
eng	Eddy Zeng	2013/11/26			ecn no	-		
chr	Li-He	2013/11/26			rel level	Released		
appr	Pei-Ming Zheng	2013/11/26	product family	PwrBlade+				
		title 4ACP + 48S + 12HDP RA STB RECEPTACLE			dwg no 10106264-G012002	rev A		
www.fci.com		cat. no.	Product - Customer Drw		sheet 3 of 3			