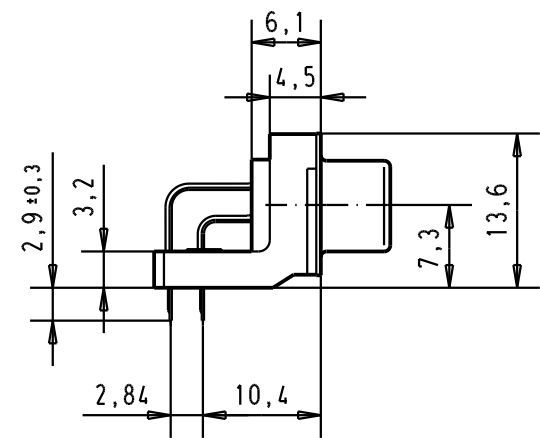
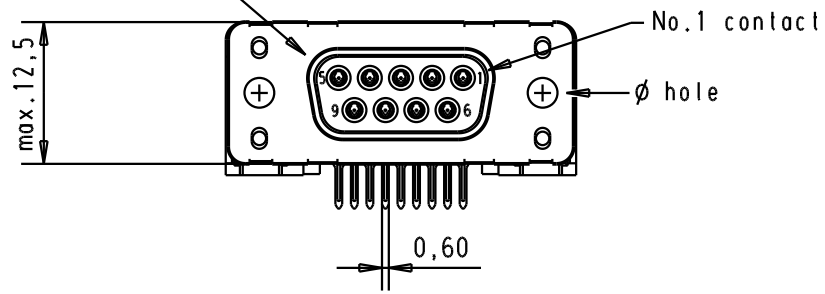
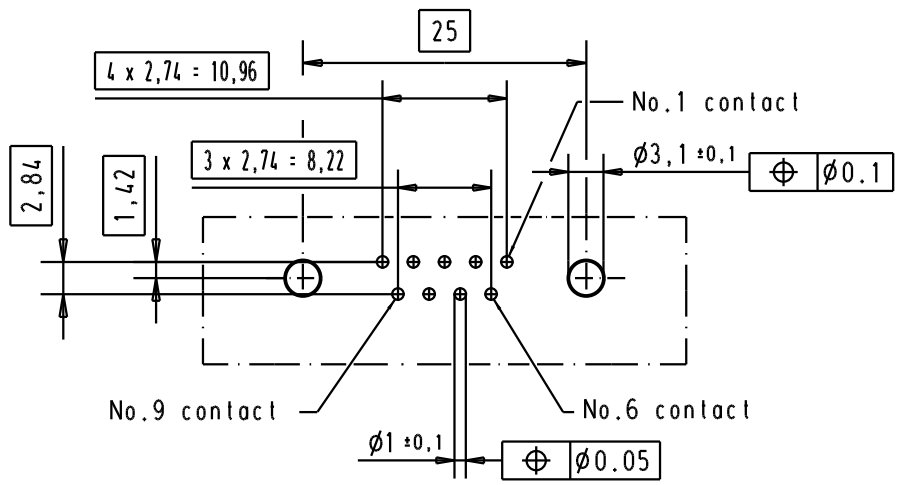
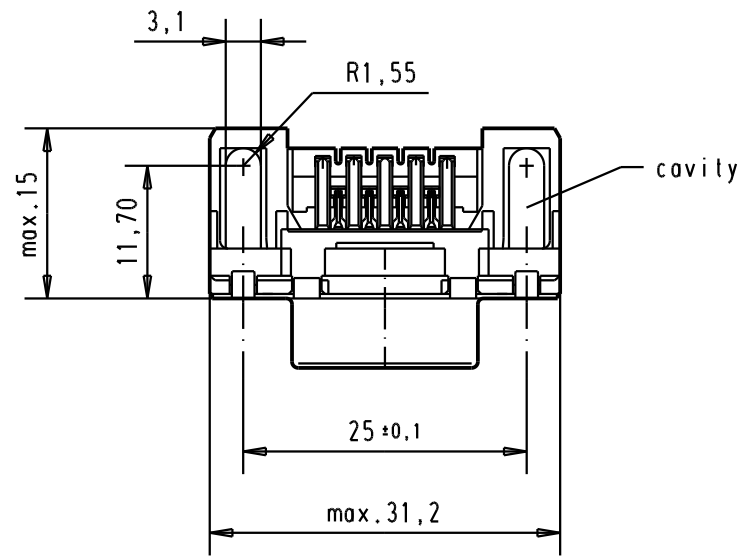




Mating face according to : MIL-C-24308 / DIN 41652 / CECC 75301-802



Printed board layout component side



						Det.	Name	 All Dim. in mm Orig. Size DIN A 4	D-Sub 09 poles standard angle female, solder pin with hole Maßstab/Scale 1.5:1
						Insp.			
						Stand.			
09 66 113 3600	3.1 ± 0.1	1	31892	05/05/04	JH			TB 0966113x60x Sub.	
09 66 113 6600	3.1 ± 0.1	2	29773	18-APR-02	CV	HARTING EUROL F-95972 Paris 			
09 66 113 7600	3.1 ± 0.1	3	27960	30/nov/00	ALSPACE				
Part number	ø hole	Performance level	Mod.	Dat.	Name			Blatt/ Page 1/	